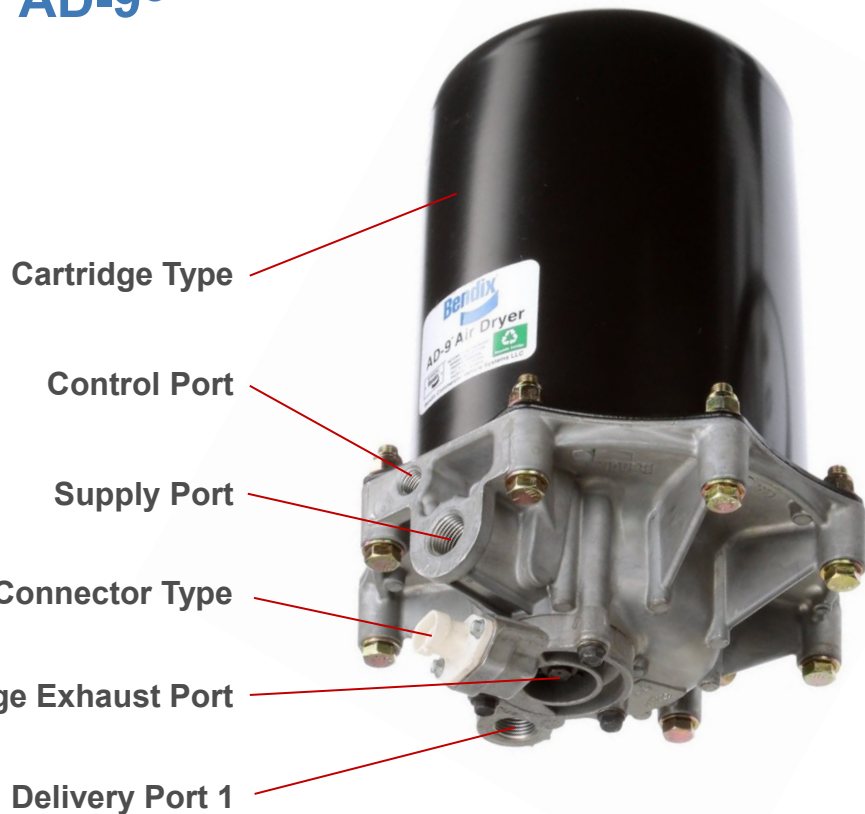


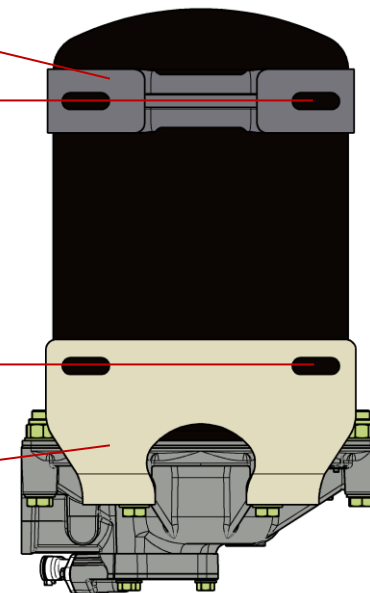
## AD-9®



Upper Mounting Type

Upper Mounting Bracket Height  
(from Lower Mounting Bracket)

Lower Mounting Bracket



### Product Dimensions



**065225 Example shown:**

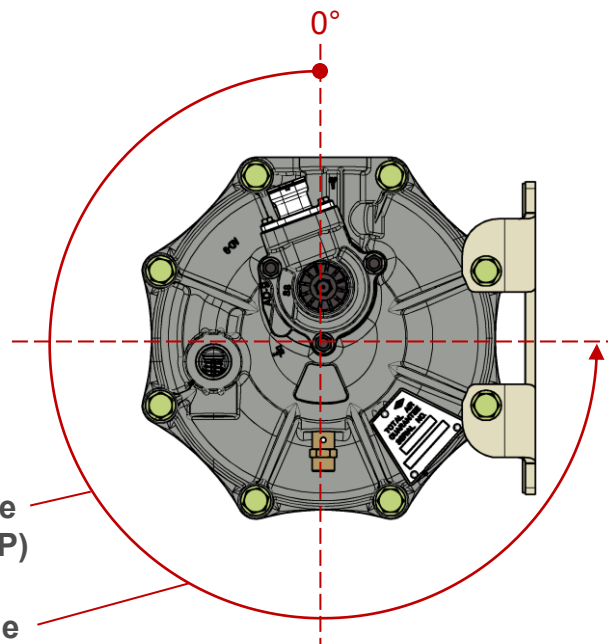
Upper Mounting Bracket Angle = 270°

Lower Mounting Bracket Angle = 270°

Always positive, measured CCW

Upper Mounting Bracket Angle  
(CCW from SUP)

Lower Mounting Bracket Angle  
(CCW from SUP)



## AD-9si®



Cartridge Type

Clamp Band

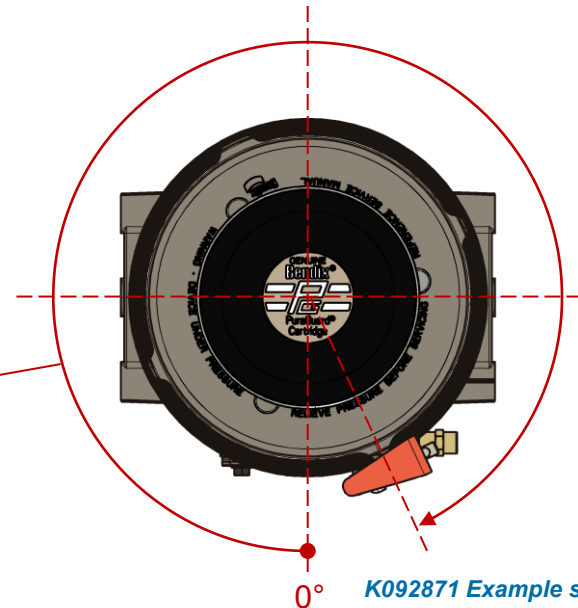
Control Port

Extended Purge Port

Heater Connector Type

Supply Port

Clamp Band Angle  
(CW from SUP)



**K092871 Example shown:**  
Clamp Band Angle = 335°  
Always positive, measured CW

Mounting

Safety Valve

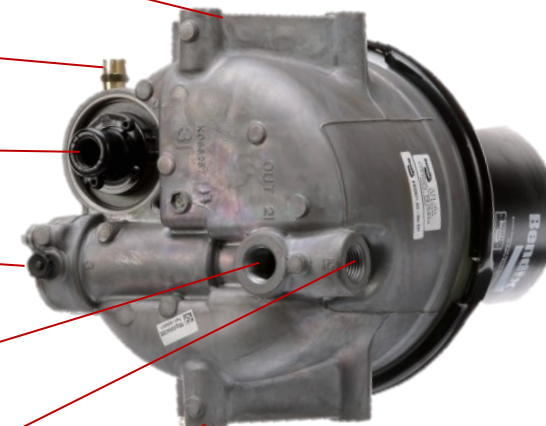
Purge Exhaust Port

Governor (Integral)

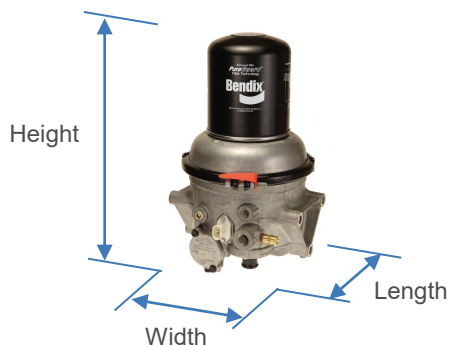
Delivery Port 1

Delivery Port 2

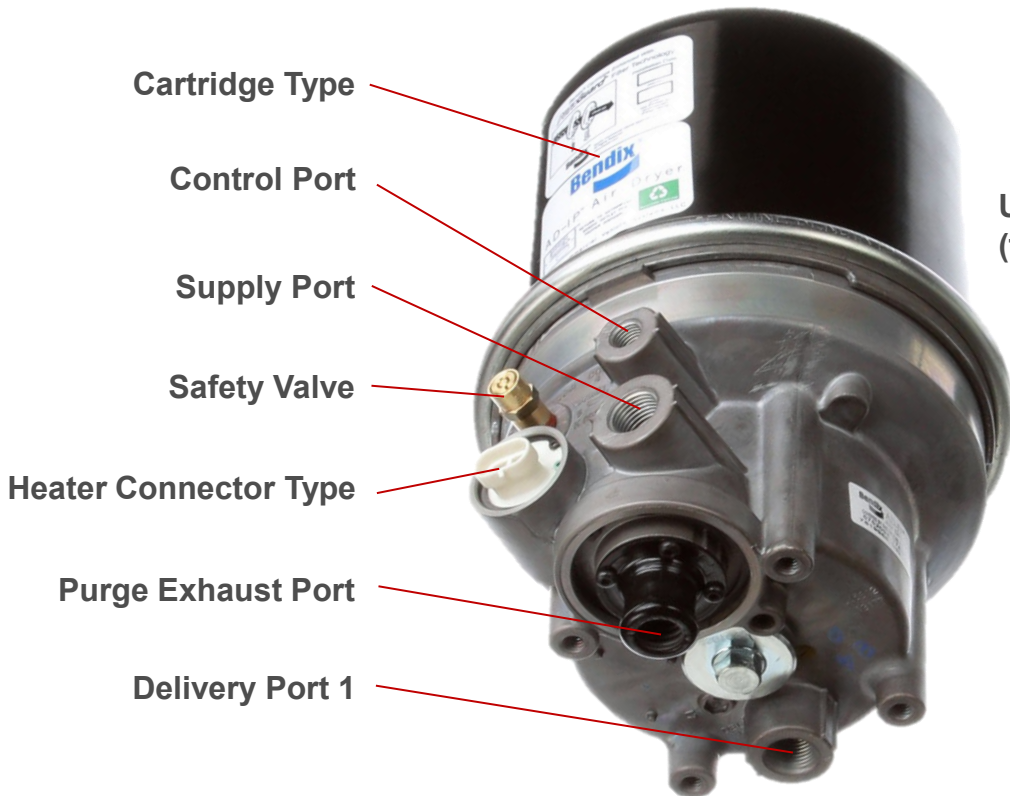
Mounting



### Product Dimensions

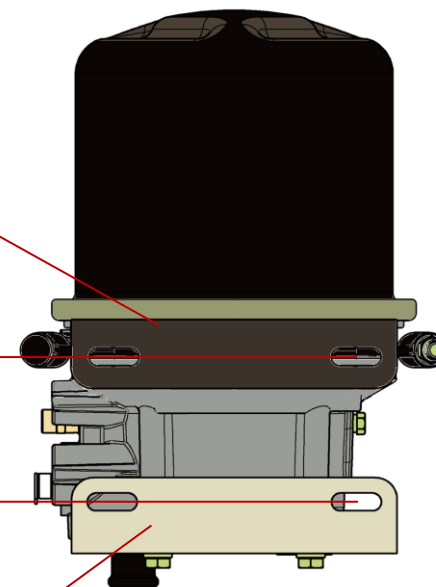


## AD-IP®

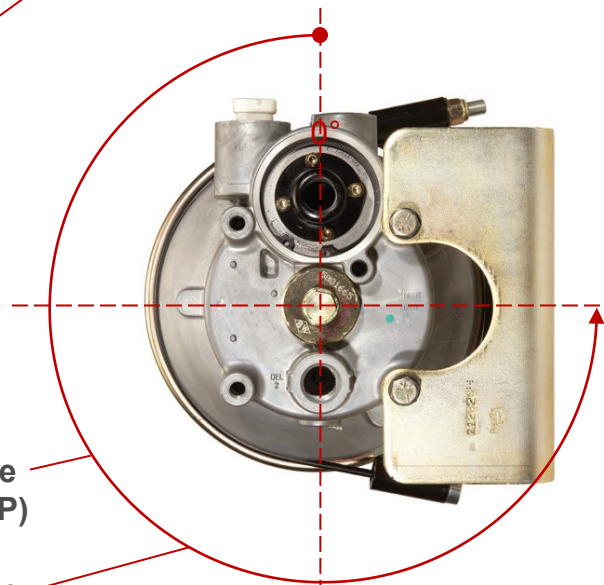


Upper Mounting Type

Upper Mounting Bracket Height  
(from Lower Mounting Bracket)



Lower Mounting Bracket



**K048340 Example shown:**

Upper Mounting Bracket Angle = 270°

Lower Mounting Bracket Angle = 270°

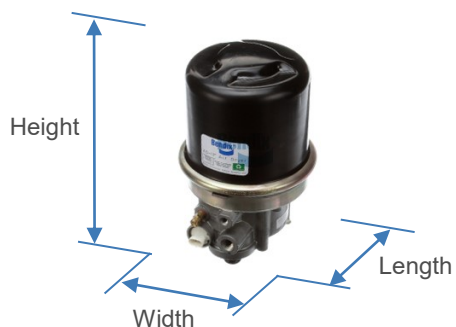
Always positive, measured CCW

Upper Mounting Bracket Angle  
(CCW from SUP)

Lower Mounting Bracket Angle  
(CCW from SUP)

AD-IP Ref. Pt. # K048340 / 065612PG

### Product Dimensions



## AD-RP™ and AD-SP®

