

<b>Chassis ID</b>	<b>Path</b> 5621/Repair//Air Tank, Replacement
<b>Model</b>	<b>Identity</b> 135066682
<b>Publish date</b> 3/12/2015	<b>ID/Operation</b> 5621-03-02-01

---

## 5621-03-02-01 Air Tank, Replacement



Illustrations may differ slightly from the actual vehicle being serviced. However, key components addressed in this information are represented as accurately as possible.



**CAUTION**

Service Information Advisory.

If you are not properly trained and certified in this procedure, ask your supervisor for training before you perform it.

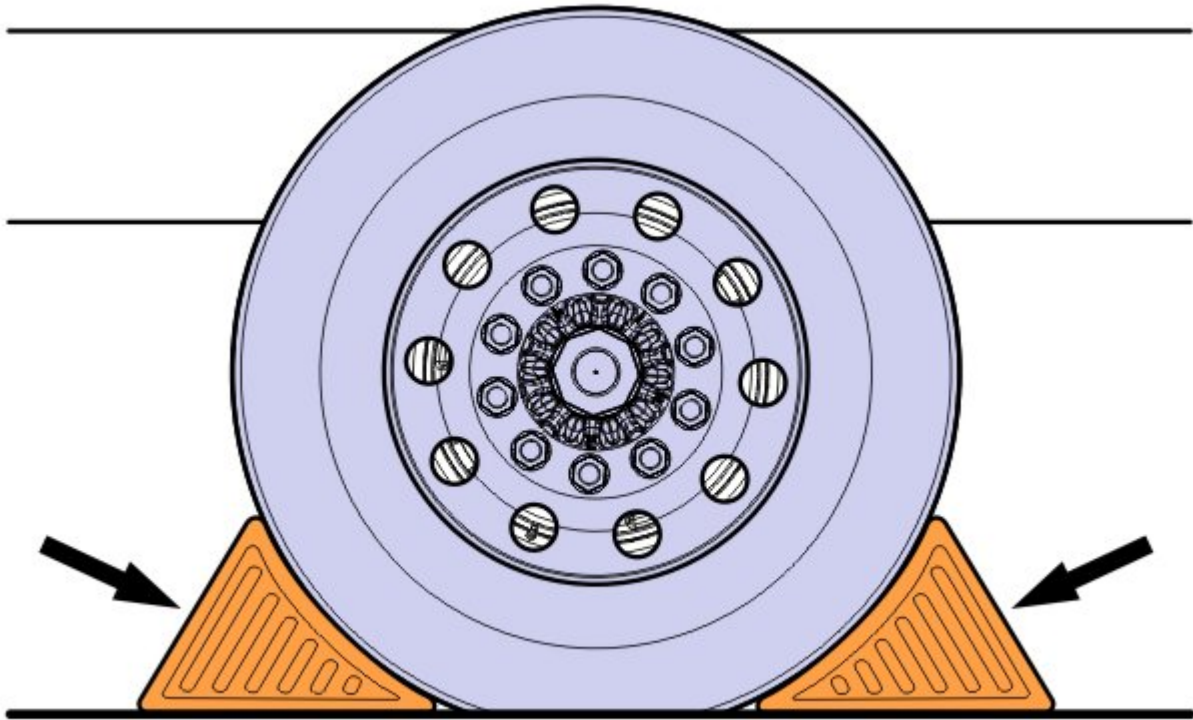
- ▶ You must read and understand the precautions and guidelines in Service Information, Function Group 5, "General Safety Practices, Brakes and Air Systems" before performing this procedure.

1 Park the vehicle on a level surface.

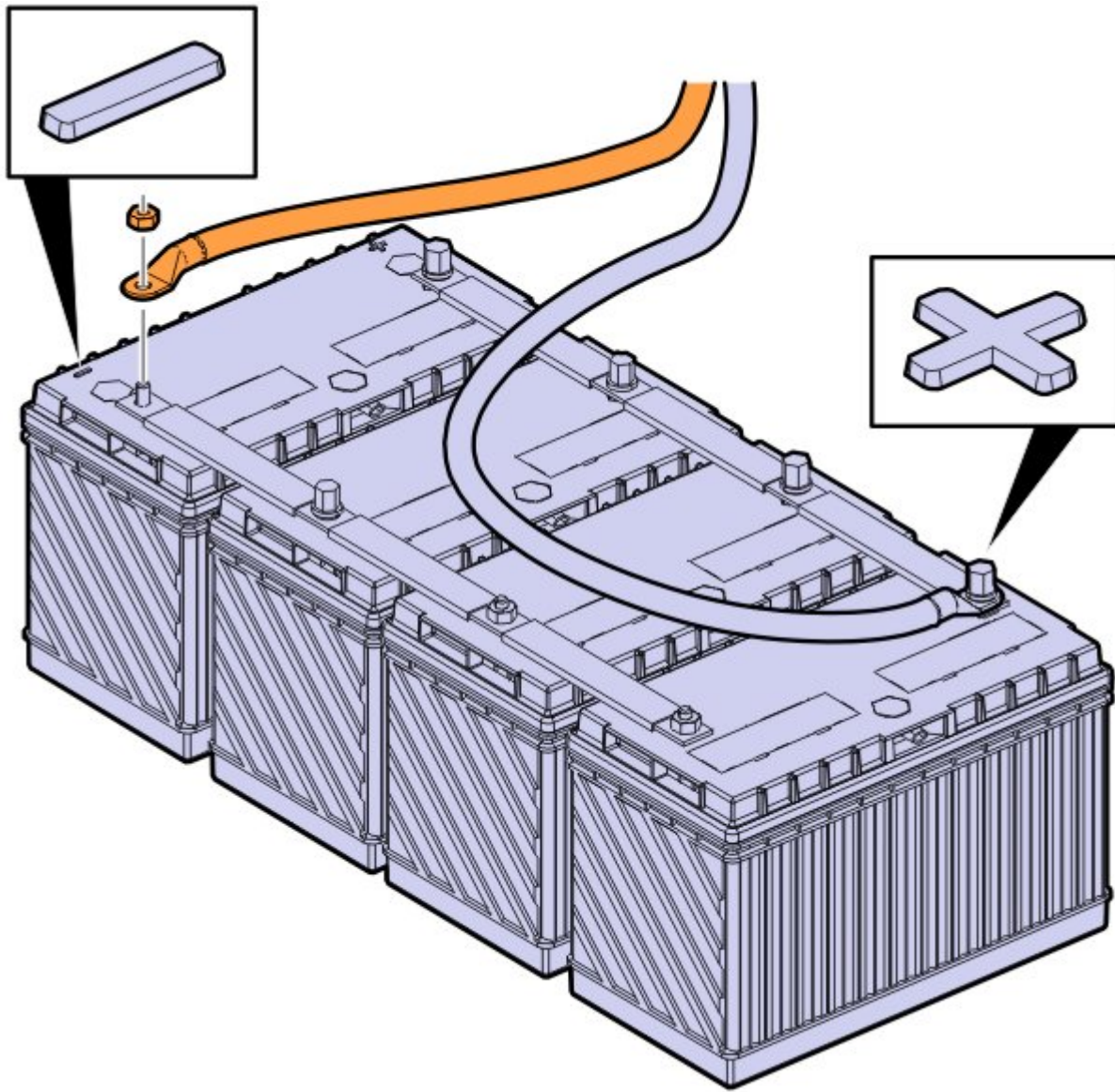
2 Apply the parking brake.

3 Place the transmission in neutral or park.

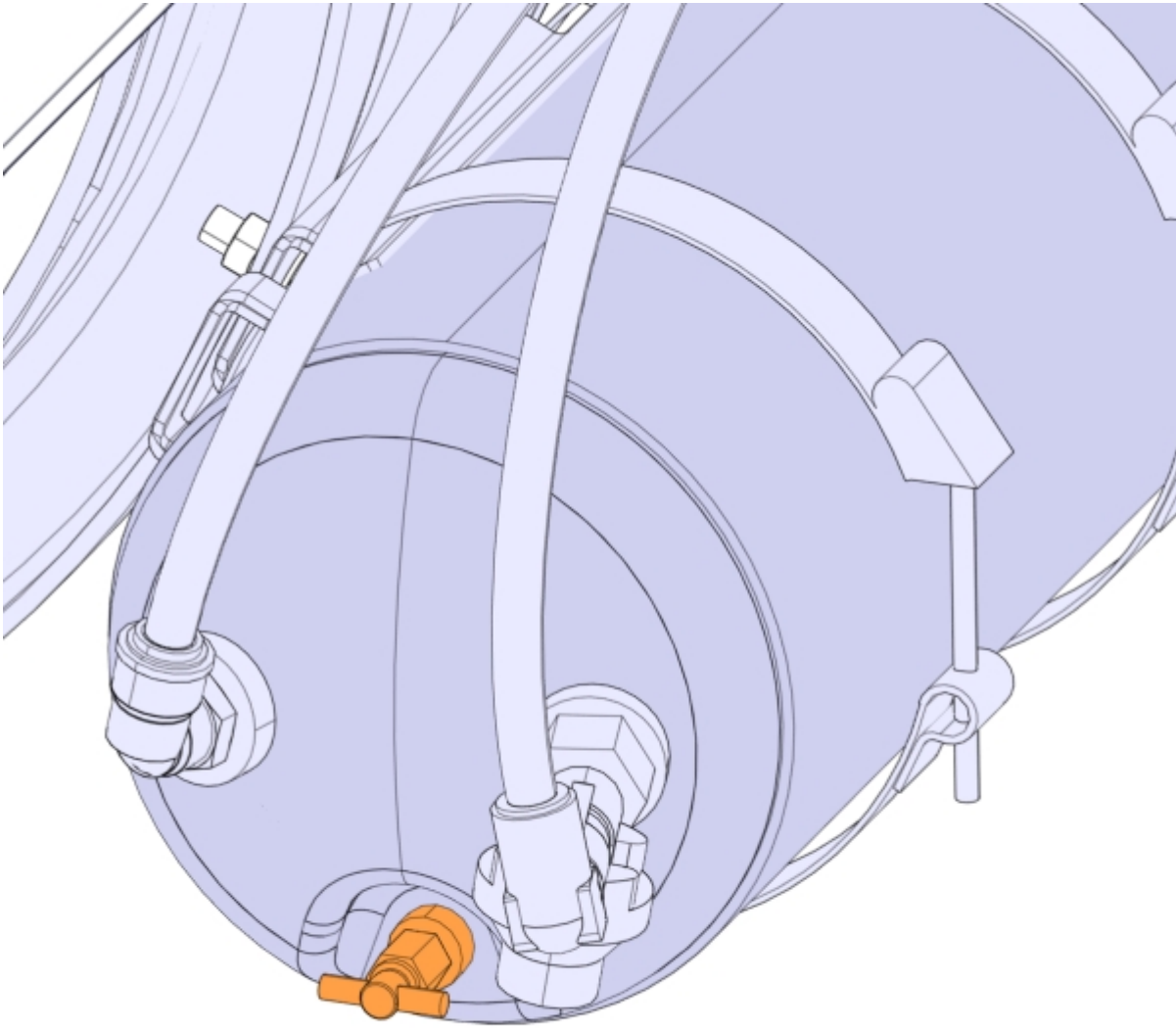
4 Install the wheel chocks.



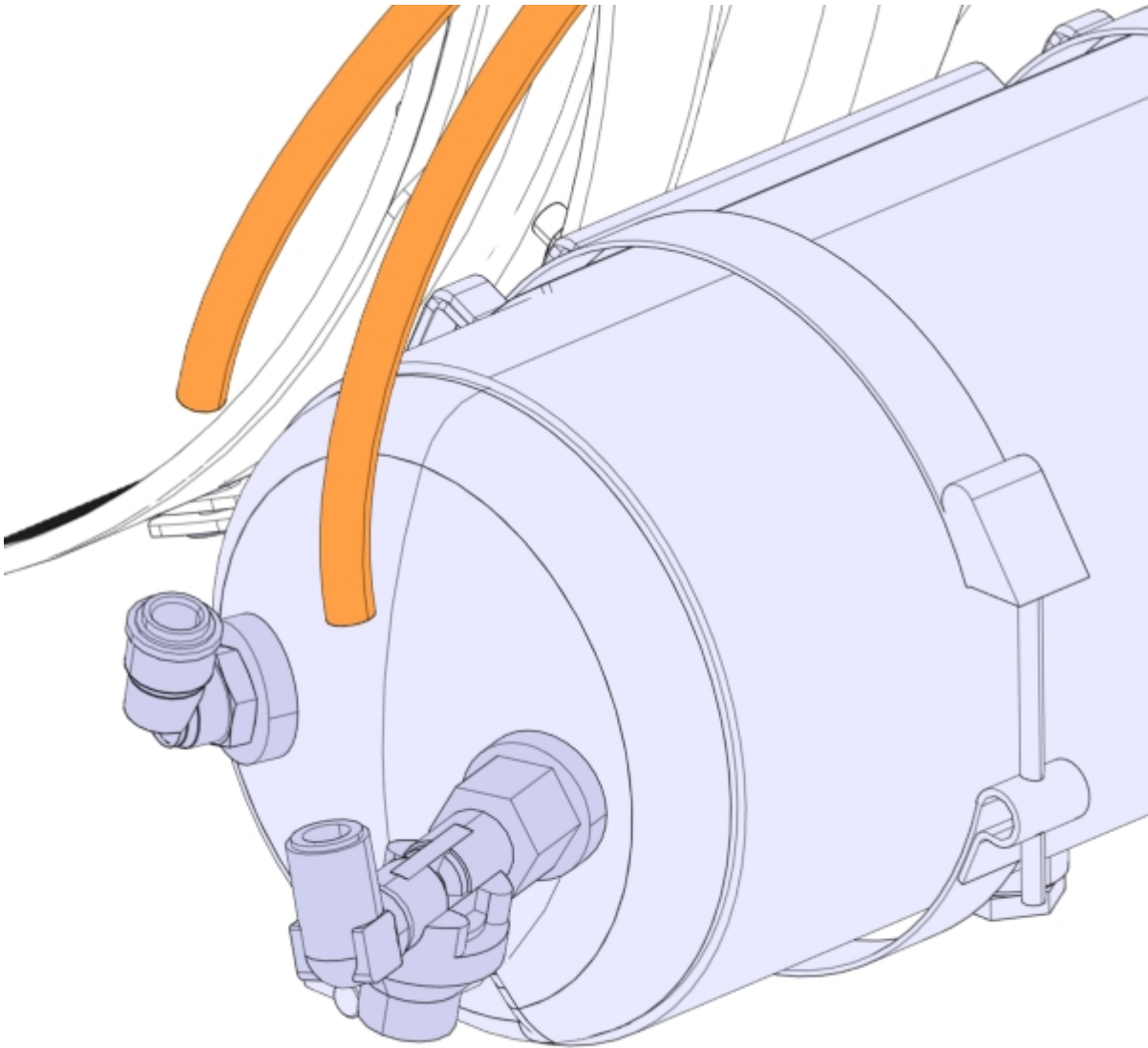
5	Disconnect the cable from the battery's negative terminal.
---	--



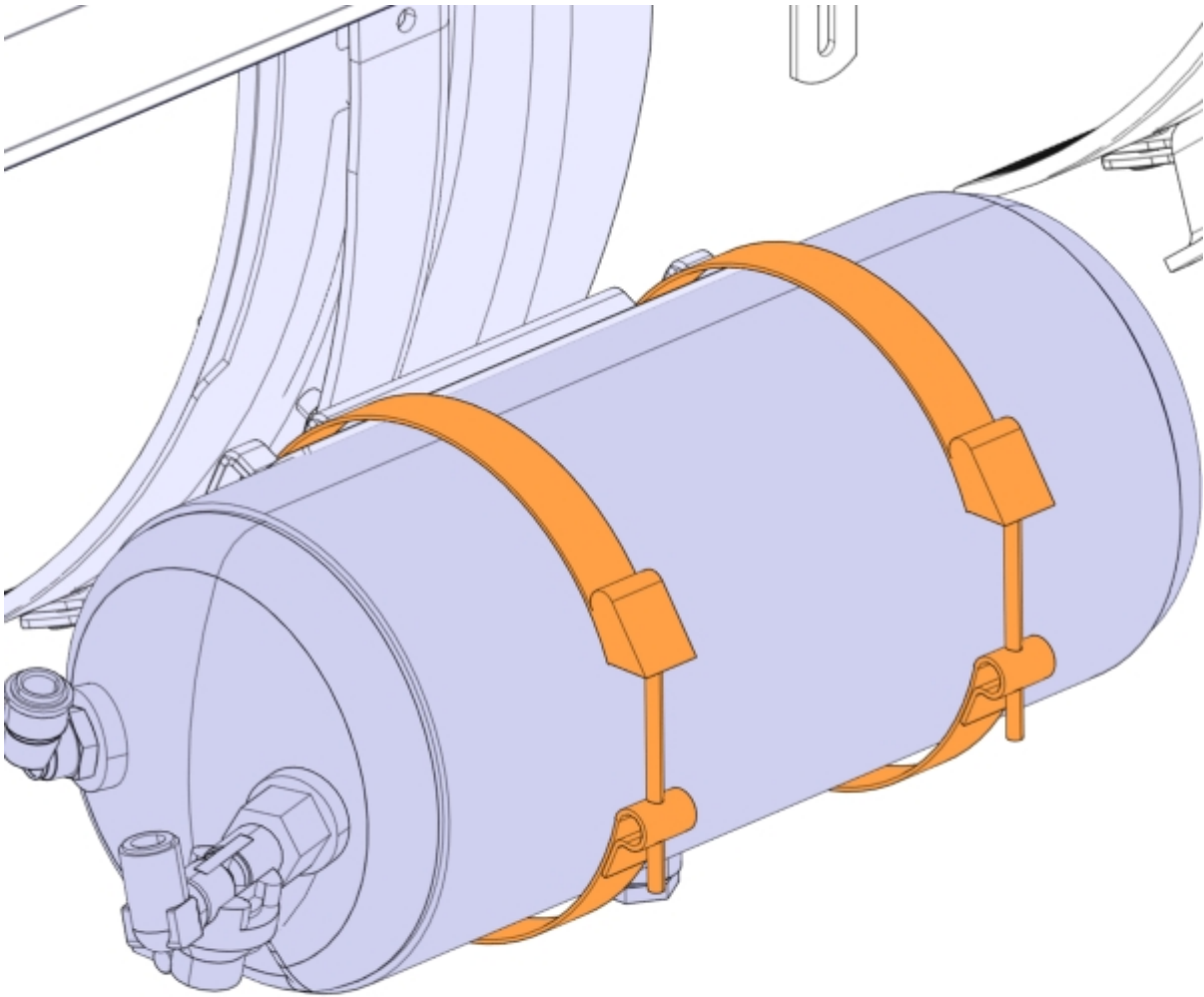
6	Drain the air tank.
---	---------------------



7	Disconnect the hoses.
---	-----------------------

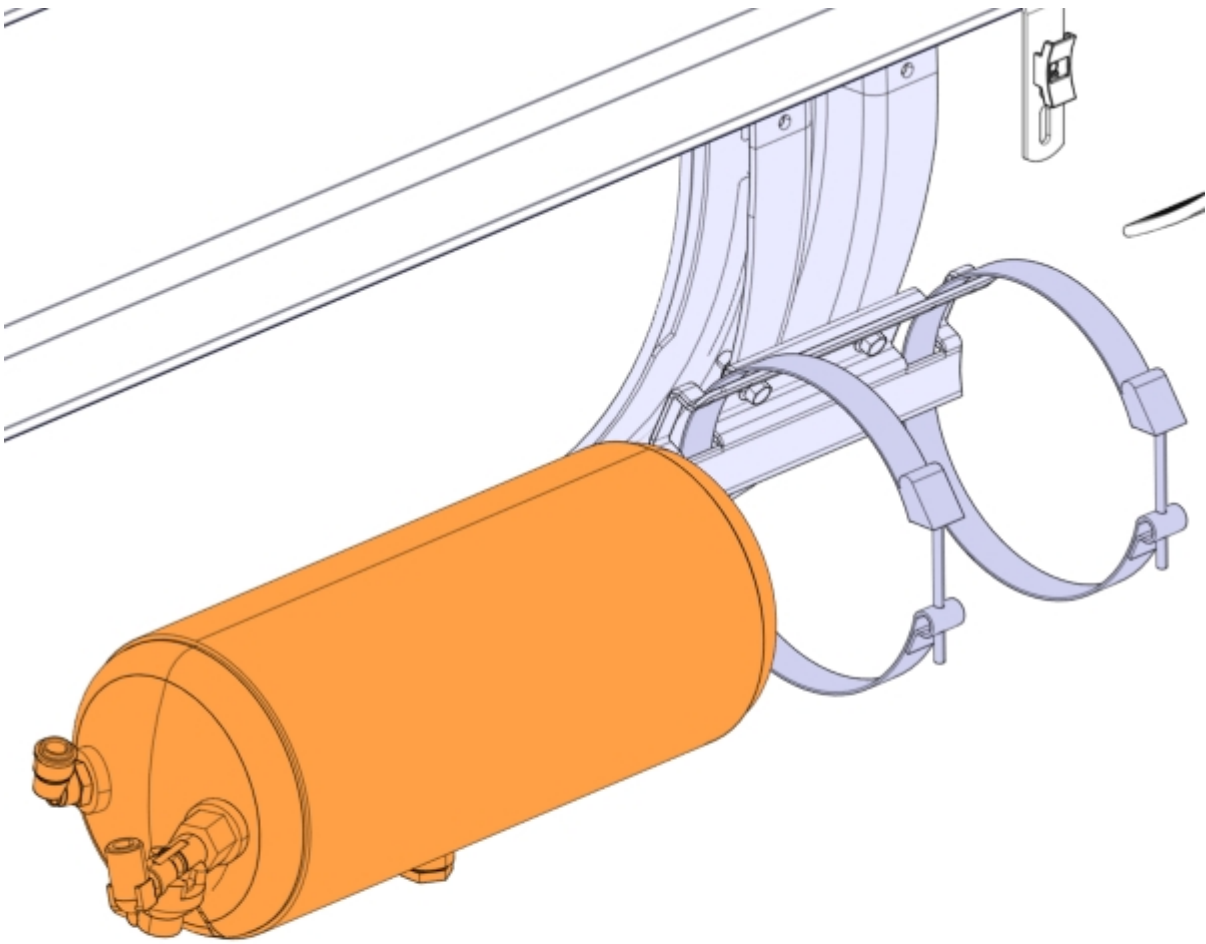


8	Loosen the straps.
---	--------------------

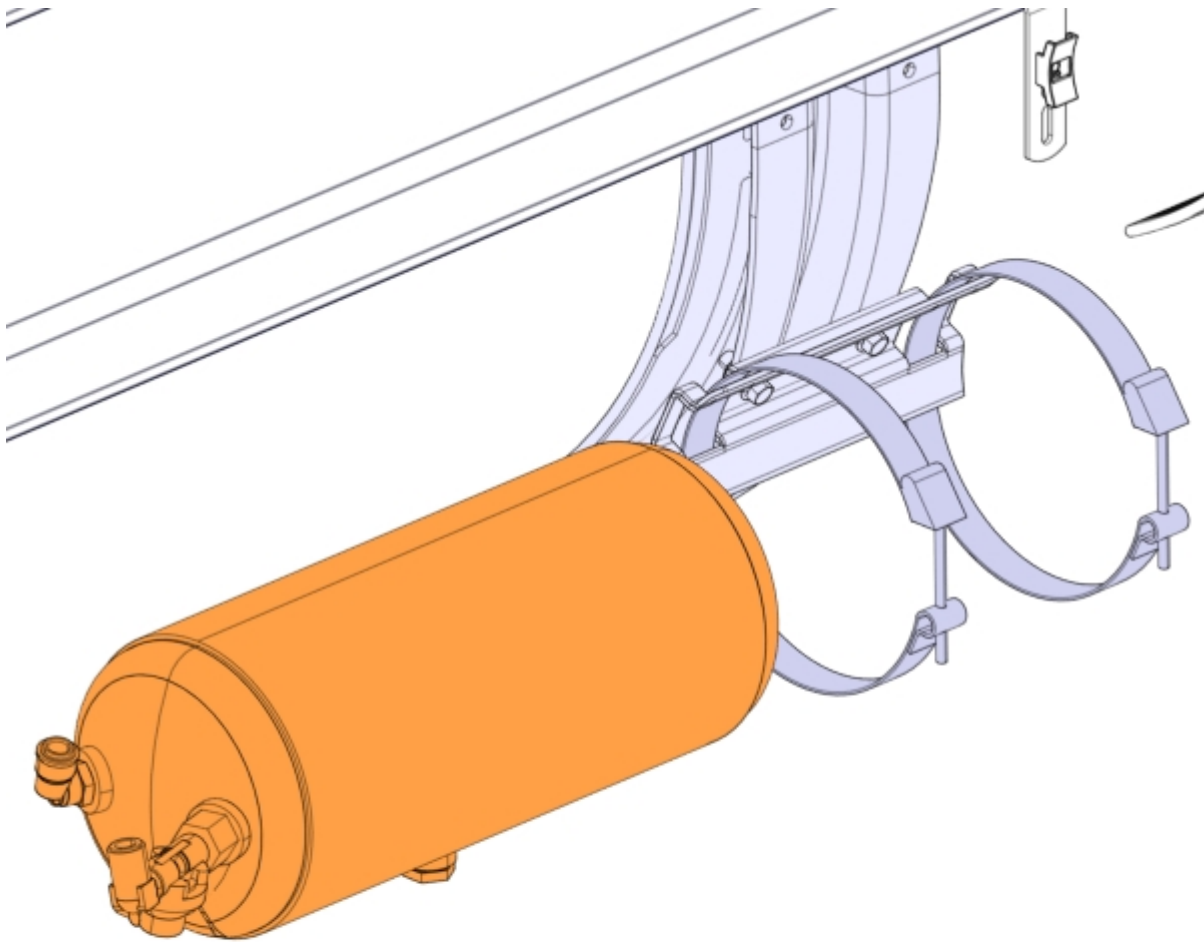


9	Remove the air tank.
---	----------------------



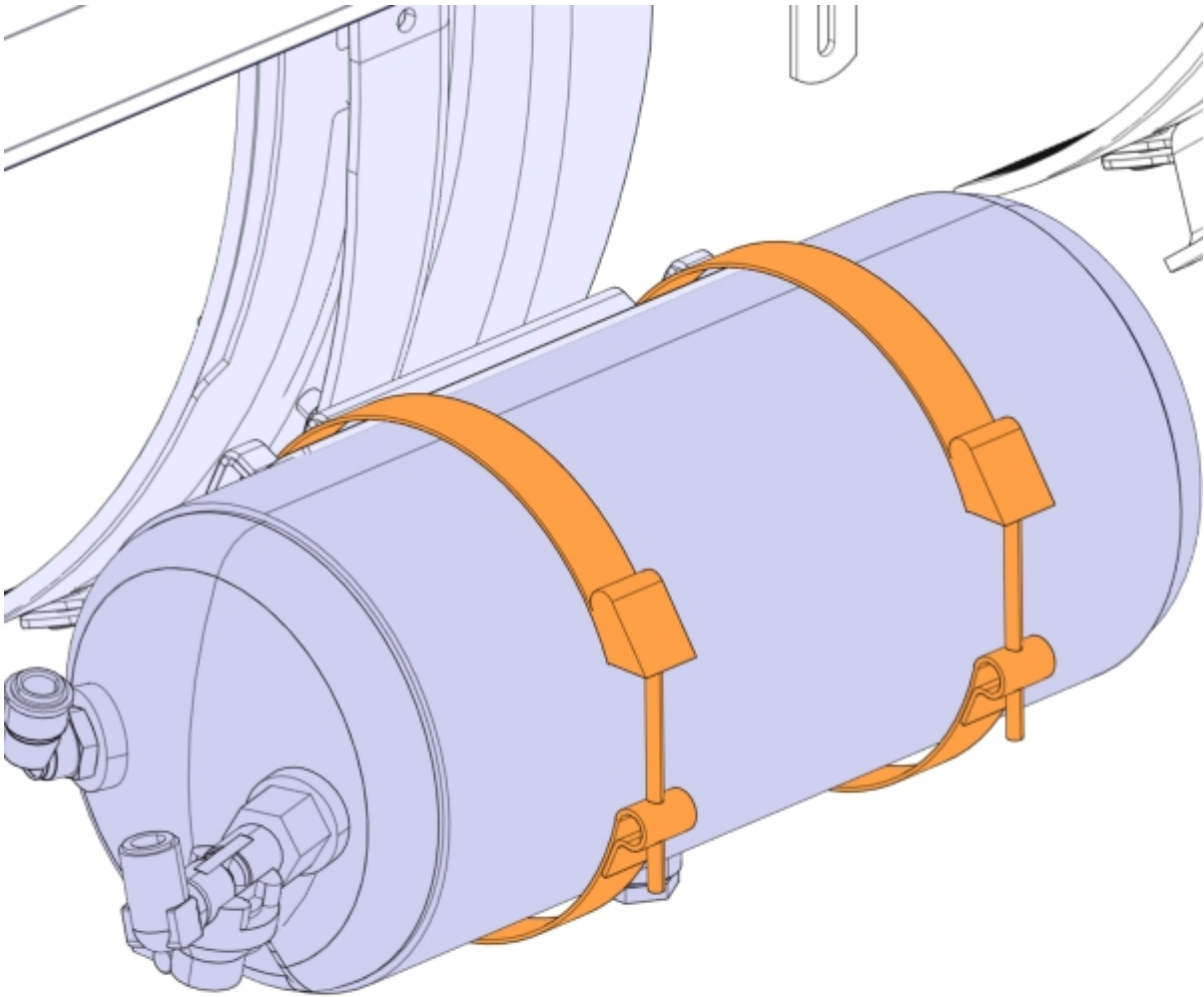


10	Install the air tank.
----	-----------------------

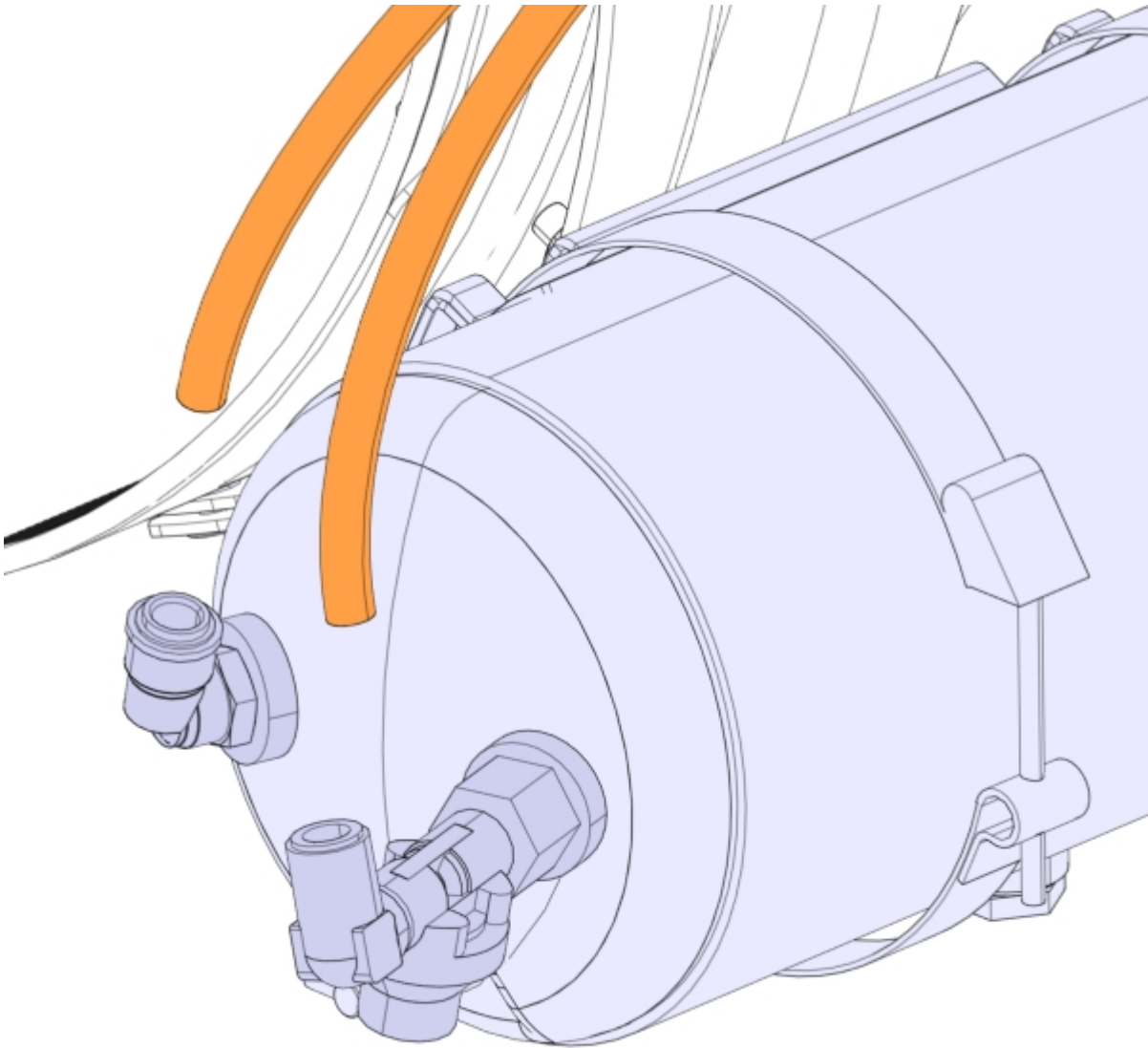


11	Tighten the straps.	
	Tightening torque	
	Air tank strap fastener	6 Nm (4 lb <sub>f</sub> .ft)

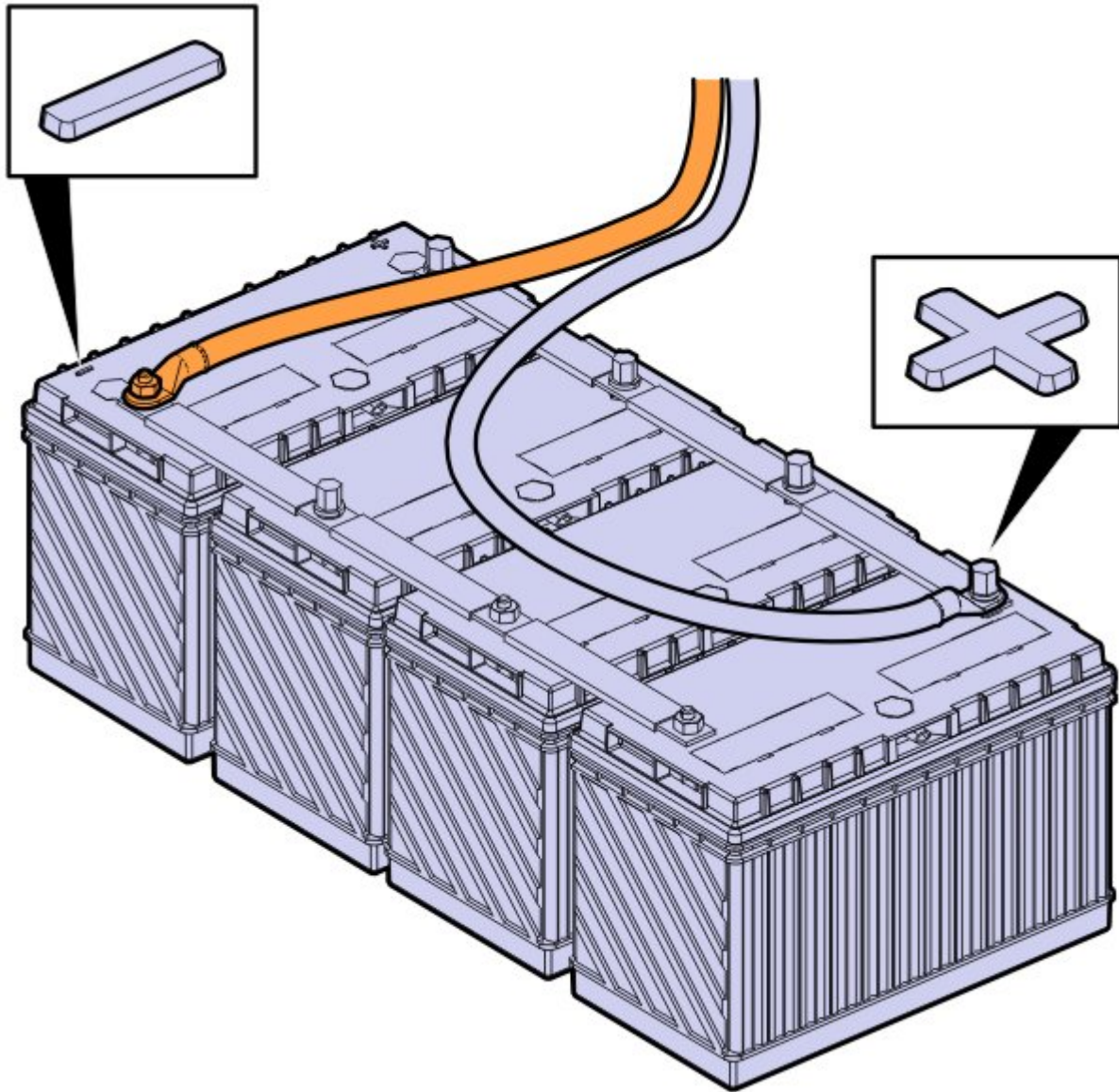




12	Connect the hoses.
----	--------------------



13	Connect the battery cable to negative (ground) terminal.
----	--



14	Start the engine and let it idle until the brake system is pressurized.
----	---

15	When the system is pressurized, turn off the engine.
----	--

16	Check the operation of any component disconnected during this procedure.
----	--

17	Remove the wheel chocks.
----	--------------------------

