

Engineering Release Notice (ERN)	Location	Change Description	A = Added D = Deleted	W = Was	Document Release Status RELEASED
		SEE DCN			Date Modification Count

WIRING DIAGRAM INDEX, 12V

NAME	DESCRIPTION	PAGE	NAME	DESCRIPTION	PAGE
AA	POWER SUPPLY, CIRCUIT PROTECTION 1/2	3	GB	LIGHTING CONTROL 2/2	43
AB	POWER SUPPLY, CIRCUIT PROTECTION 2/2	4	GC	MARKER LAMPS	44
AC	GROUNDING	5	GD	DRIVING / SIGNAL LIGHTS	45
AD	STARTING AND CHARGING	6	GE	DRIVING / FOG LIGHTS	46
AE	VEHICLE ECU 1/4 EMS POWER CONTROL	7	GF	TAIL LAMPS W/ ALARM	47
AF	VEHICLE ECU 2/4	8	GG	BACK OF CAB LAMPS L1	48
AG	VEHICLE ECU 3/4	9	GH	BACK OF CAB LAMPS L3-L5	49
AH	VEHICLE ECU 4/4 ENGINE BRAKE SWITCHES	10	GI	SNOW PLOW & BEACON LAMPS	50
BA	INSTRUMENTATION CLUSTER A / B	11	GJ	BEACON LAMPS	51
BB	INSTRUMENTATION CLUSTER C	12	GK	BACKUP LAMPS WITH ALARM	52
BC	INSTRUMENTATION ROAD RELAY	13	GP	WIPER WASHER	53
BD	INSTRUMENTATION OPTIONAL GAUGES	14	GQ	HORN	54
BE	COMMUNICATIONS QUALCOMM / OMNIVISION	15	HA	CLIMATE CONTROL	55
BF	COMMUNICATIONS VOLVO ACTION LINK (VAL)	16	HB	SLEEPER CLIMATE CONTROL W. LECM	56
BG	COMMUNICATIONS MOBILE MAX II	17	HC	SHORE POWER / INVERTER	57
BH	BODY BULDER	18	HD	L3-L4 SLEEPER FUNCTIONS	58
BI	BODY BUILDER MODULE	19	HE	L5 SLEEPER FUNCTIONS	59
BJ	TELEMATICS GATEWAY(TGW)	20	HH	L5H2 SLEEPER FUNCTIONS	60
CA	ETHER START/ENGINE HEATER	21	IA	INTERIOR COURTESY LIGHTS	61
CB	ENGINE CONTROL VOLVO ENGINES	22	IB	HEATED SEATS/SEATBELT/ HEATED W.S	62
CC	ENGINE CONTROL ISX US07	23	IC	POWER WINDOWS / MIRRORS W. DCP	63
CE	FUEL FILTER HEATER	24	ID	POWER WINDOWS/ MIRRORS W/O DCP	64
CH	INSIDE/OUTSIDE AIR CLEANER	25	IE	PWR WINDOWS/MIRRORS W/TURN SIGNALS	65
DA	TRANSMISSION I-SHIFT	26	IF	CENTRAL/REMOTE DOOR LOCKING	66
DB	TRANS. CONTROL AUTOSHIFT II; ULTRASHIFT	27	IG	CIGAR LIGHTER, AUX POWER	67
DE	TRANSMISSION CONTROL 4 th GENERATION 1/2	28	IH	BRIGHT WORK	68
DF	TRANSMISSION CONTROL 4 th GENERATION 2/2	29	JA	SRS AIRBAG CONTROL	69
DG	TRANSMISSION CONTROL FREEDOMLINE	30	JC	VORAD SYSTEM VS400	70
DP	PTO	31	JD	VORAD SYSTEM EVT300	71
EA	ABS CONTROL WABCO	32	JE	STEERING WHEEL MOD / MARKER INTERRUPT	72
EB	SUSPENSION ECU 6X2	33	JF	ADAPTIVE CRUISE CONTROL	73
EC	ABS CONTROL BENDIX	34	KA	AUDIO SYSTEM - 4 SPEAKER	74
ED	ABS CONTROL BENDIX ESP	35	KB	AUDIO SYSTEM - 6 SPEAKER	75
FA	AIR DRYER / HEATED DRAIN VALVE	36	KC	AUDIO SYSTEM - 6 SPEAKER W/SUB,TV PREP	76
FB	LIFT AXLES VHD	37	KD	AUDIO SYSTEM - BLUE TOOTH/AUX/USB	77
FC	SUSPENSION DUMP, 5 TH WHEEL SLIDE	38	MA	TRAILER CABLE	78
FD	DIFFERENTIAL LOCK VN/VHD	39	NA	AUXILIARY SWITCHES	79
FF	5 TH WHEEL TOUCH LOCK	40	XA	DIAGNOSTICS	80
FG	TIRE PRESSURE MONITORING SYSTEM				
GA	LIGHTING CONTROL 1/2				

VOLUME	CONTENT	PAGES
01	WIRING DIAGRAM	80

The copying, distribution and utilization of this document as well as the communication of its contents to others without expressed authorization is prohibited. Offenders will be held liable for payment of damages. All rights reserved in the event of the grant of a patent, utility model or ornamental design registration.

Document Title
WIRING DIAGRAM
VN, VHD
US07

VOLVO

Volvo 3P

Document Type
PRODUCT SCHEMATIC

Owner Domain: Document Prefix

Document No 20758328	Issue 07	Volume No 01	Page No 1 (80)
--------------------------------	--------------------	------------------------	--------------------------

CONSEQUENCE CLASS [2] APPLIES TO PROPERTIES NOT MARKED REFERENCE TR 20820037 CIRCUIT NUMBER INFORMATION

ABBREVIATION LIST, 12V

NAME	DEFINITION	NAME	DEFINITION
ABS	ABS HARNESS	MO	MIRROR OVERLAY
AD	AIR DRYER	OB	OVERHEAD BUNK
AL	ADDITIONAL LIGHTING	OCP	OVERCRANK PROTECTION
AR	AIR RESTRICTION JUMPER	OF	OVERHEAD FRONT
AT	ALLISON TRANSMISSION	OL	MOBILE MAX OVERLAY HARNESS
AX	AUXILIARY SWITCH HARNESS	OPT	OPTIONAL DATALINK
BB	BODY BUILDER DASH OVERLAY	PL	SNOW PLOW OVERLAY
BC	BRIGHTWORK CHASSIS	PS	PREMIUM SOUND OVERLAY
BF	BRIGHTWORK FRONT	PTO	POWER TAKE-OFF
BL	BEACON LAMPS	PW	POWER WINDOW
BOC	BACK OF CAB LAMP JUMPER	QC	QUALCOMM
BR	BRIGHTWORK REAR	RA	REAR AXLE
CB	C.B. STUDS JUMPER	RAJ	REAR AXLE JUMPER
CE	CHASSIS EXTENSION	RF	ROOF SIGN
CL	COOLANT LEVEL	RFJ	ROOF SIGN JUMPER
CS	CLUTCH SWITCH JUMPER	RH	REAR WALL HEADER
DC	DOOR	RJ	RADIO JUMPER
DL	DOOR - LEFT	RR	ROAD RELAY OVERLAY
DLR	DIFFERENTIAL LOCK	RS	RADIO SHELF PREP.
DPF	DPF JUMPER	RSO	ROOF SIGN OVERLAY
DR	DOOR - RIGHT	RW	REAR WALL
DV	DRAIN VALVE - HEATER	RWJ	REAR WALL JUMPER
EB	ENGINE BRAKE JUMPER	SK	SINK/FAUCET PUMP
EN	ENGINE	SL	SLEEPER
ES	ELECTRONIC SUSPENSION	SN	SHIFT KNOB
FA	FRONT ANTENNA (VORAD)	SPJ	SOLENOID PACK JUMPER
FC	FRONT CHASSIS	SPO	SNOW PLOW OVERHEAD
FD	FOG AND DRIVING LAMPS	SR	SIDE REPEATER
FRC	FUSE AND RELAY CENTER	SS	SIDE SENSOR (VORAD)
FS	FAN SOLENOID	ST	SEAT
HA	HILL ASSIST	SV	SUNVISOR
HL	HEADLIGHT	SW	STEERING WHEEL SWITCHES OVERLAY
HT	HOOD TILT SWITCH	TBJ	TABLE LAMP JUMPER
IRIC	INVERTER REMOTE CONTROL	TE	TAIL LIGHT EXTENSION
JRW	REAR WALL JUMPER	TL	TAIL LIGHT
LA	LIFT AXLE OVERLAY	TLK	TOUCH LOCK OVERLAY
LJ	LAMP JUMPER	TR	TRANSMISSION
LK	DOOR LOCK OVERLAY	TS	TEMP A START OVL.
MC	MAIN CAB	TT	TRAILER AUX
MF	MICROPHONE DASH	US	ULTRASHIFT
MI	MARKER INTERRUPT	VA	REAR WALL VALANCE
MIC	MICROPHONE OVERHEAD	VE	VORAD/ECS OVERLAYS
MJ	MIRROR JUMPER	VL	OVERLAY
MLX	HOOD MARKER LPS. HARNESS	WB	WASHER BOTTLE
MM	MOBILE MAX HARNESS		

Inline connectors are named by combining a set of Harness Abbreviations. The first Abbreviation will represent the feeding harness. In some cases, there is more than one connector between two harnesses. In this case a number is added to the end of the set of Harness Abbreviations.

Example:

MCSL2:3 (Main Cab and Sleeper Harness Inline, Connector 2, Pin 3)
MCSL4:C (Main Cab and Sleeper Harness Inline, Connector 4, Pin C)

VOLVO

Volvo 3P

Document Title

WIRING DIAGRAM

Document Type

PRODUCT SCHEMATIC

Document No

20758328

Issue Index

07

Volume No

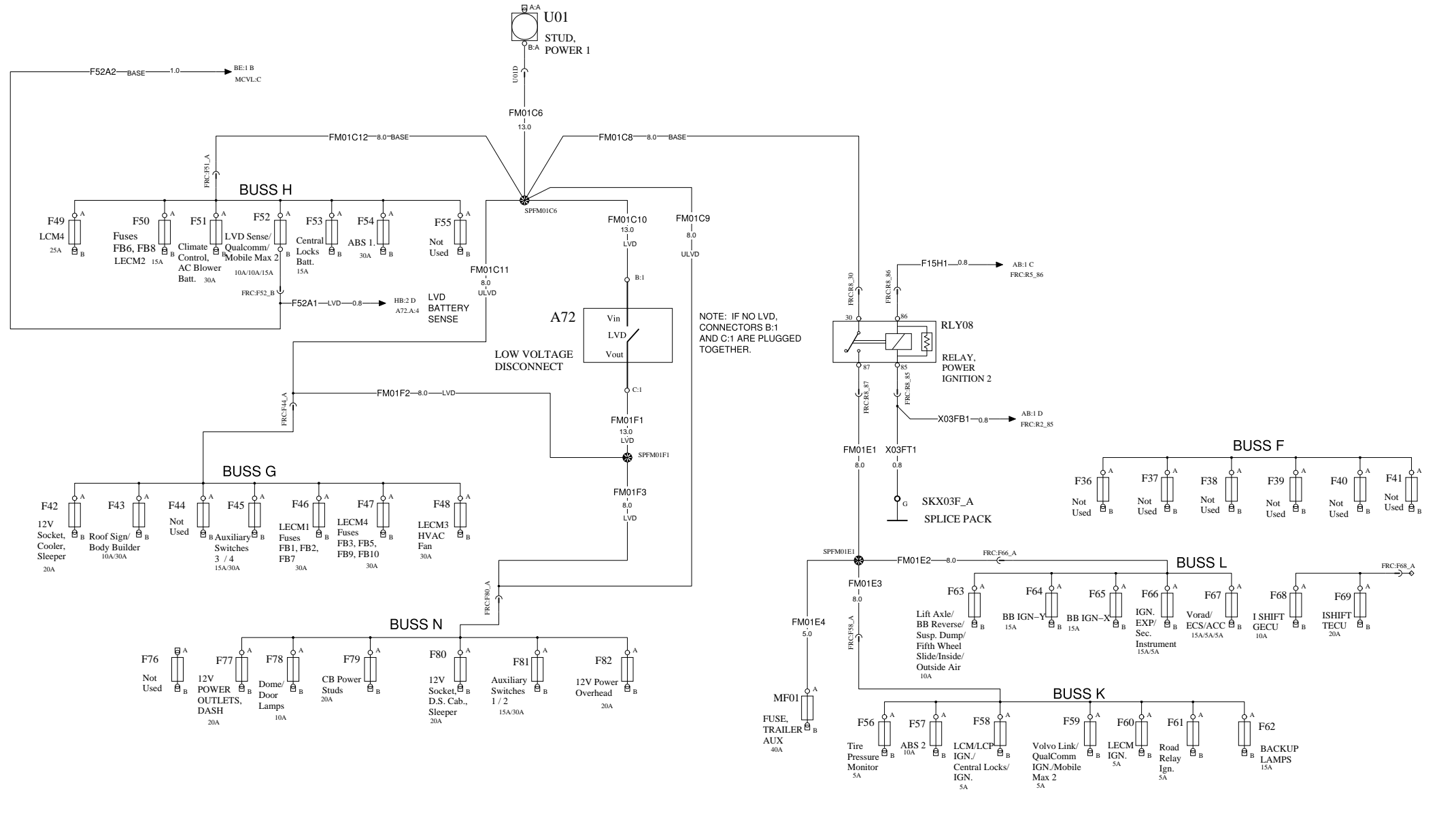
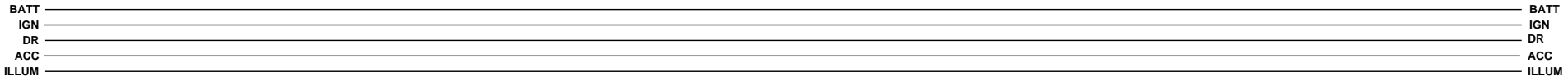
01

Page No

2(80)

POWER SUPPLY AND CIRCUIT PROTECTION 1/2

WIRING DIAGRAM : AA

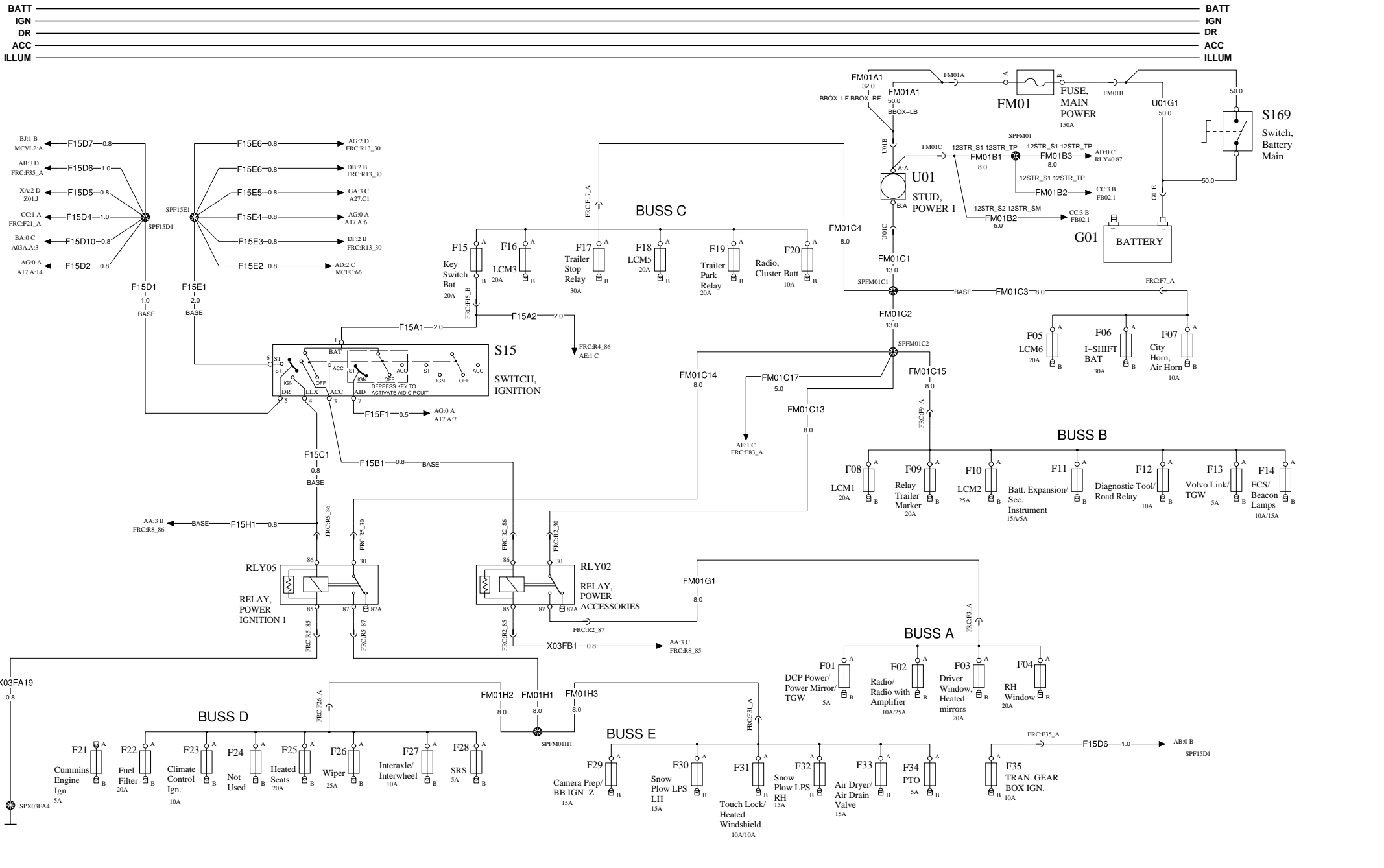


NOTE: IF NO LVD, CONNECTORS B:1 AND C:1 ARE PLUGGED TOGETHER.

<p>Volvo 3P</p>	Document title WIRING DIAGRAM	Document No 20758328	Issue 07	Volume 01	Page 3 (80)
	Document type PRODUCT SCHEMATIC				

POWER SUPPLY AND CIRCUIT PROTECTION 2/2

WIRING DIAGRAM : AB

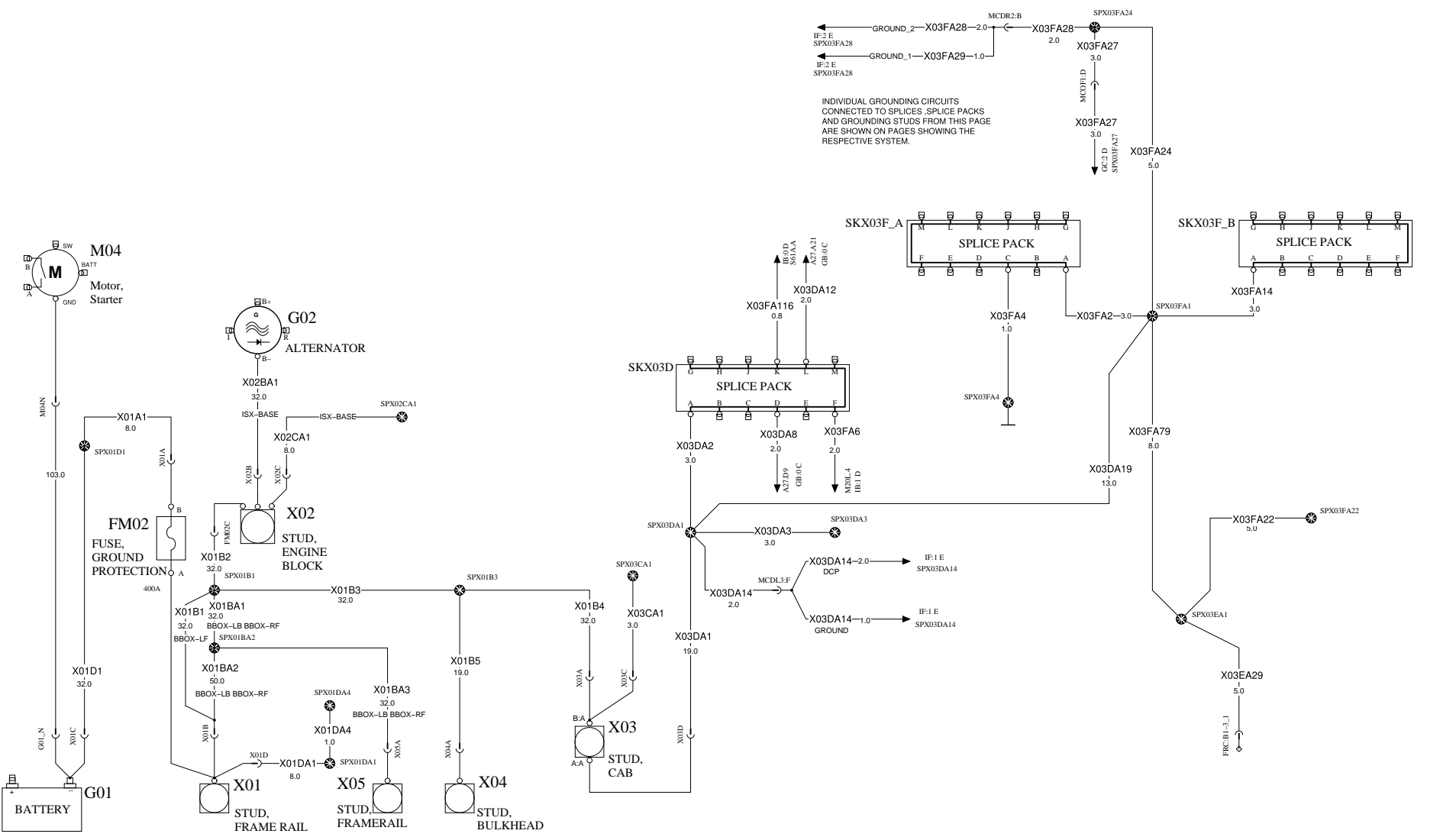


<p>Volvo 3P</p>	Document title WIRING DIAGRAM	Document No 20758328	Issue 07	Volume 01	Page 4 (80)
	Document type PRODUCT SCHEMATIC				

GROUNDING

WIRING DIAGRAM : AC

BATT	_____	BATT
IGN	_____	IGN
DR	_____	DR
ACC	_____	ACC
ILLUM	_____	ILLUM

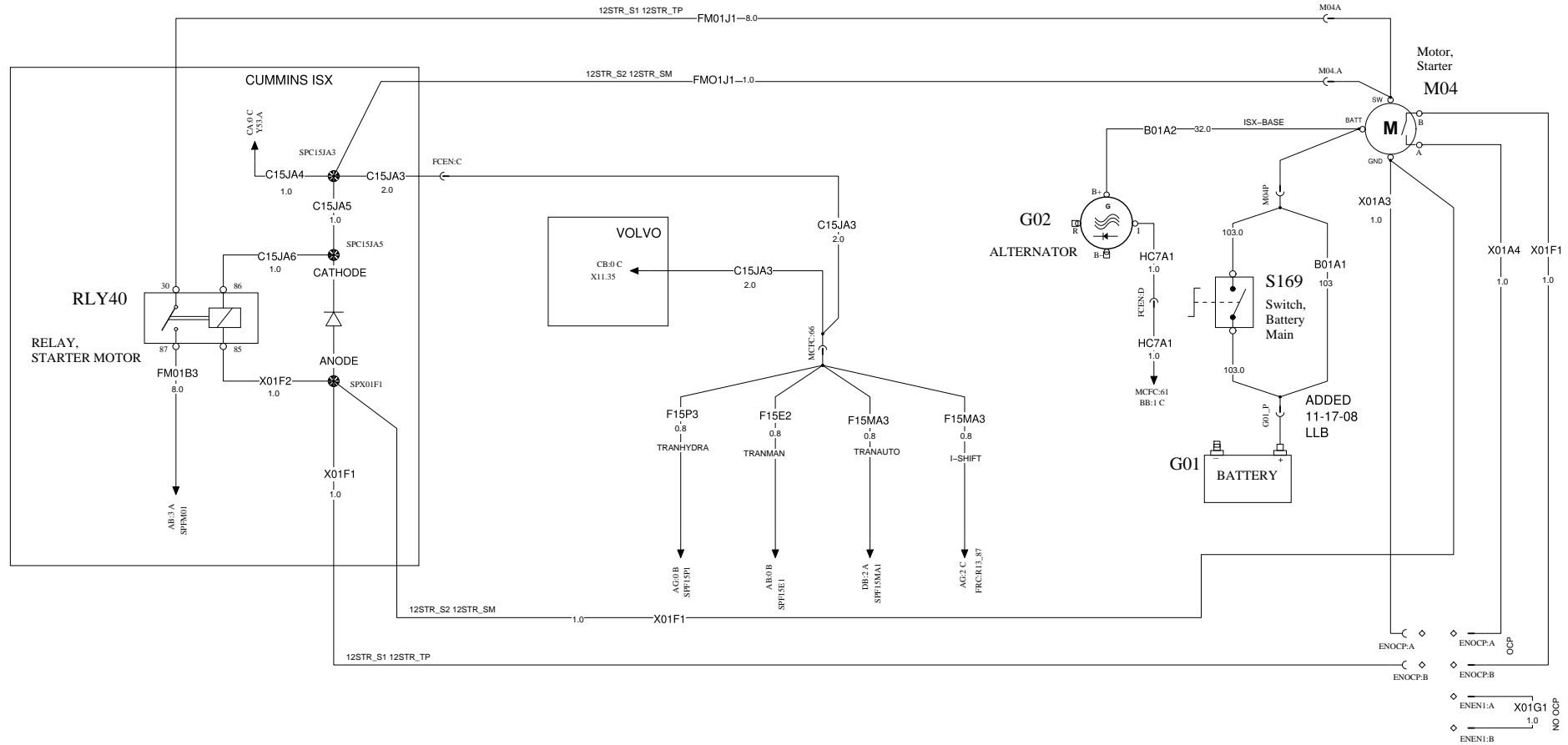


Document title
WIRING DIAGRAM

Document type
PRODUCT SCHEMATIC

Document No	Issue	Volume	Page
20758328	07	01	5 (80)

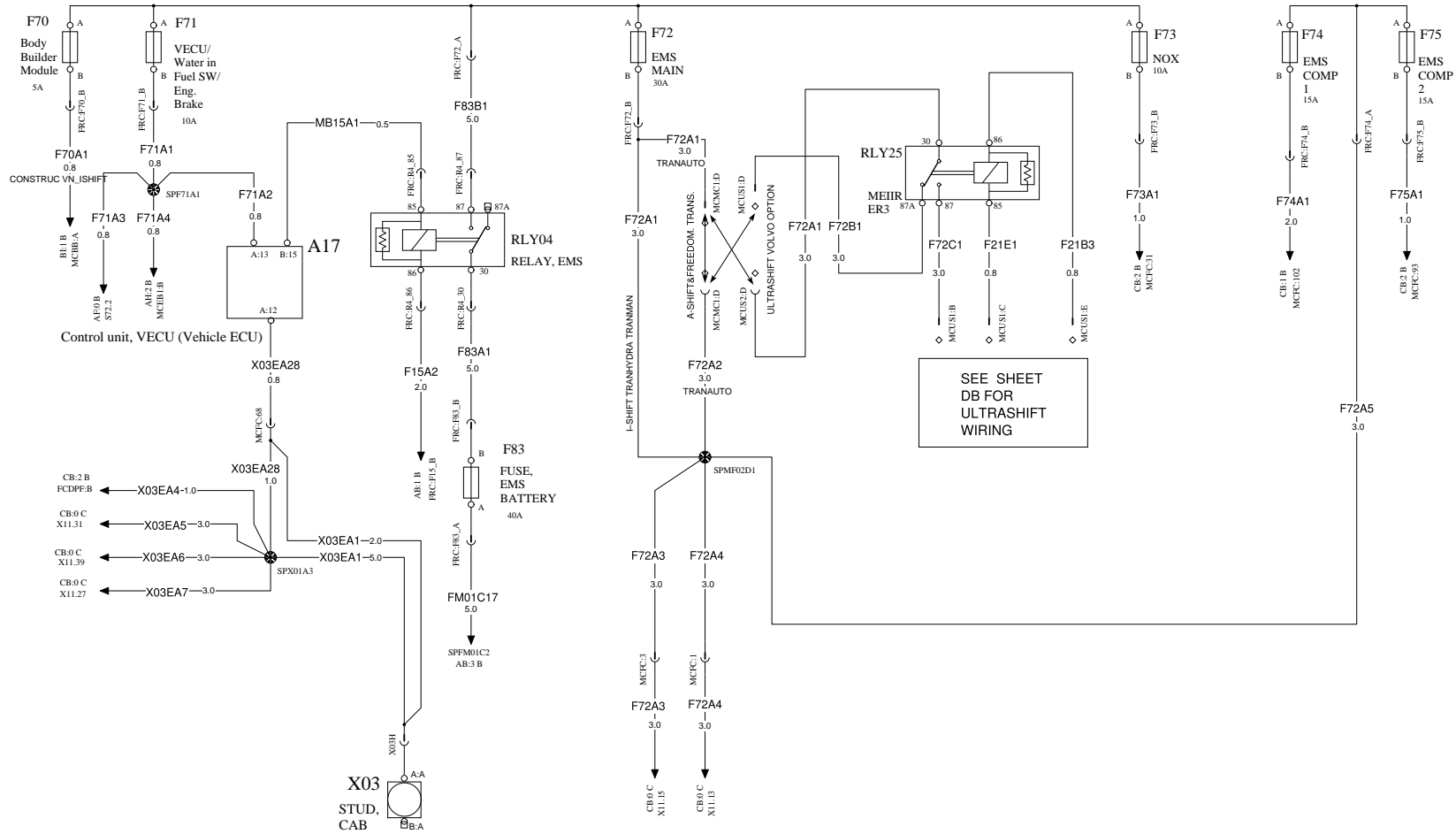
BATT _____ BATT
 IGN _____ IGN
 DR _____ DR
 ACC _____ ACC
 ILLUM _____ ILLUM



VEHICLE ECU 1/4 EMS POWER CONTROL

WIRING DIAGRAM : AE

BATT _____ BATT
 IGN _____ IGN
 DR _____ DR
 ACC _____ ACC
 ILLUM _____ ILLUM



VOLVO
Volvo 3P

Document title
WIRING DIAGRAM

Document type
PRODUCT SCHEMATIC

Document No
20758328

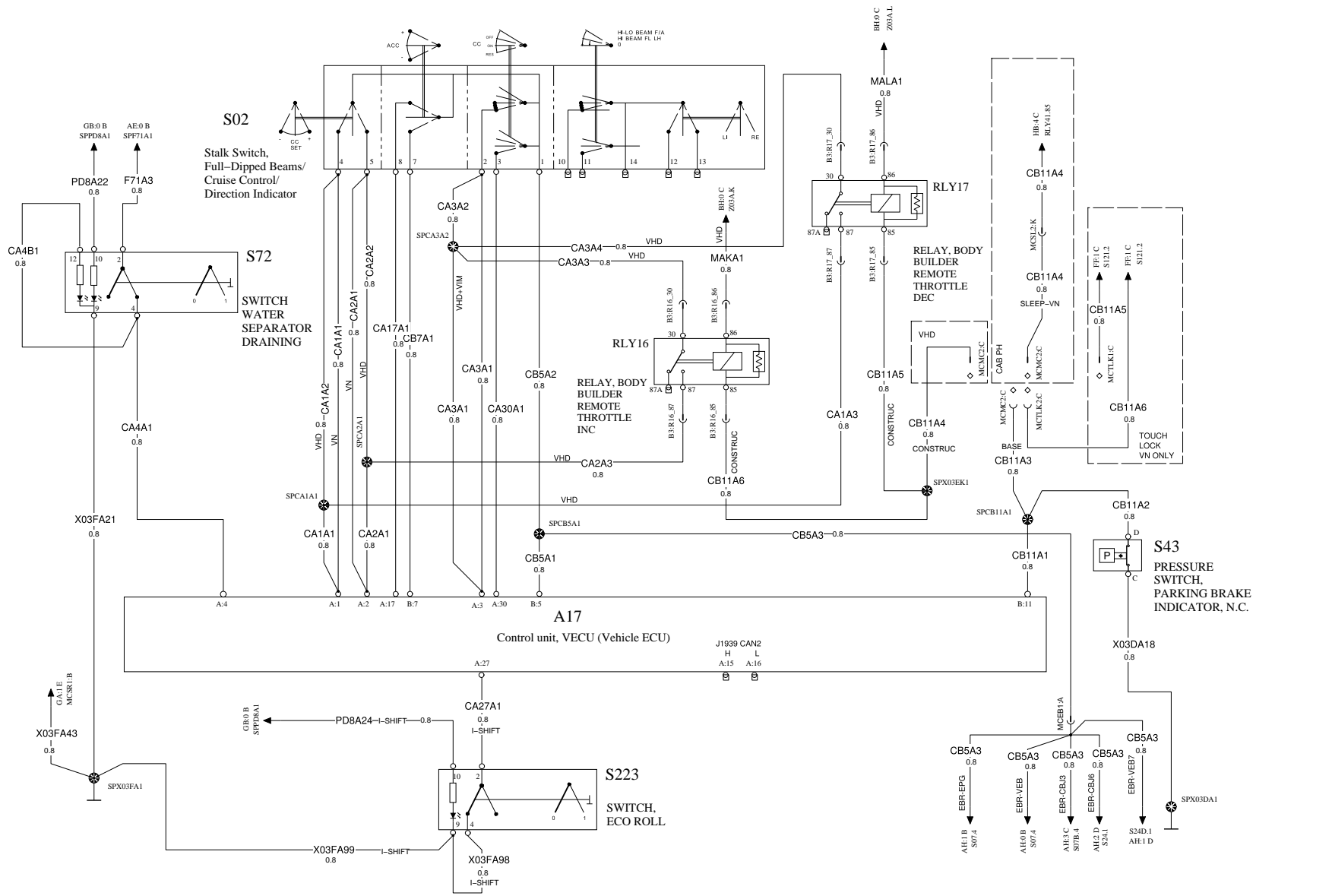
Issue
07

Volume
1

Page
7(80)

BATT
IGN
DR
ACC
ILLUM

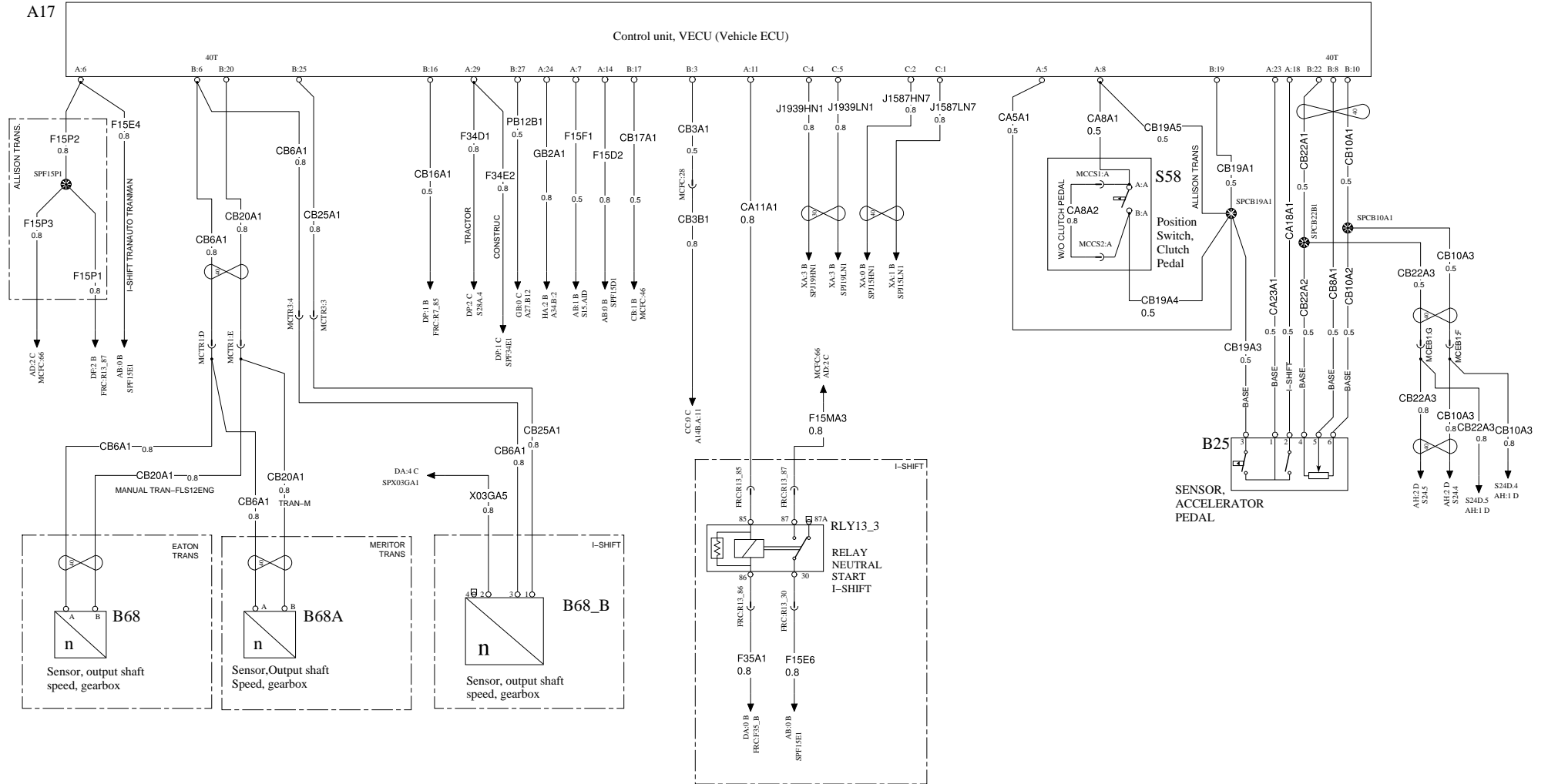
BATT
IGN
DR
ACC
ILLUM



<p>Volvo 3P</p>	Document title WIRING DIAGRAM	Document No 20758328	Issue 07	Volume 1	Page 8 (80)
	Document type PRODUCT SCHEMATIC				

BATT	BATT
IGN	IGN
DR	DR
ACC	ACC
ILLUM	ILLUM

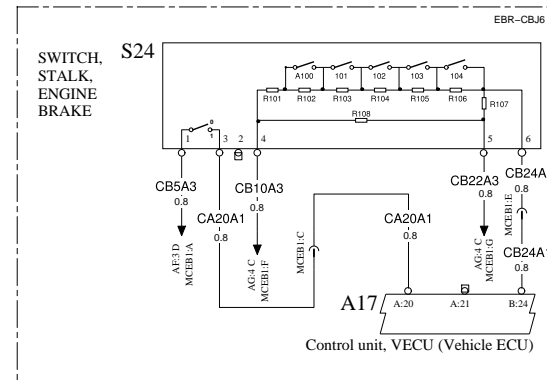
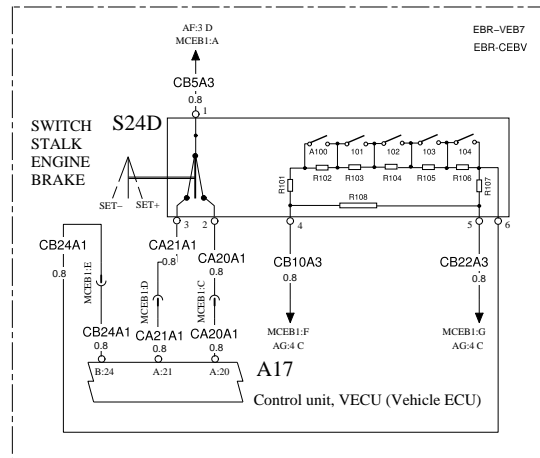
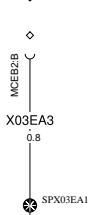
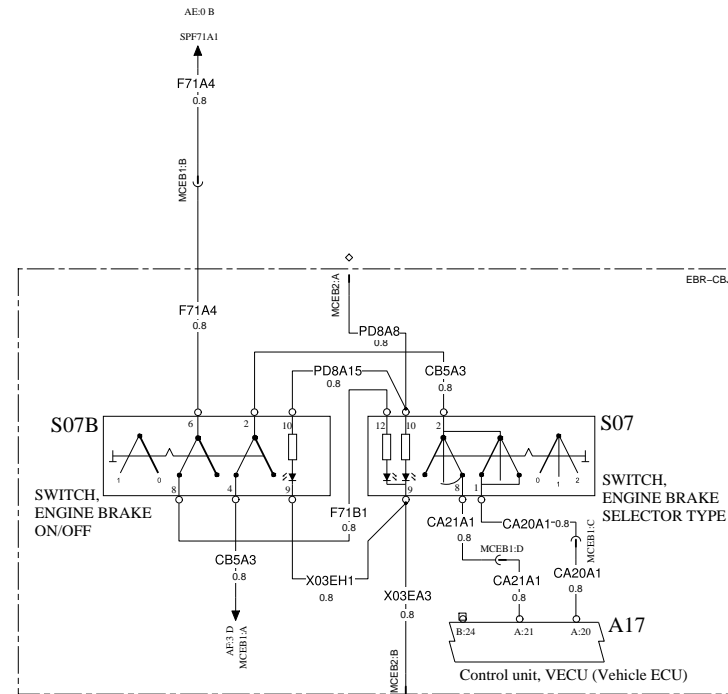
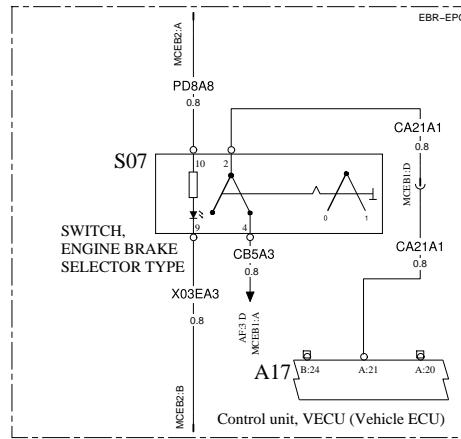
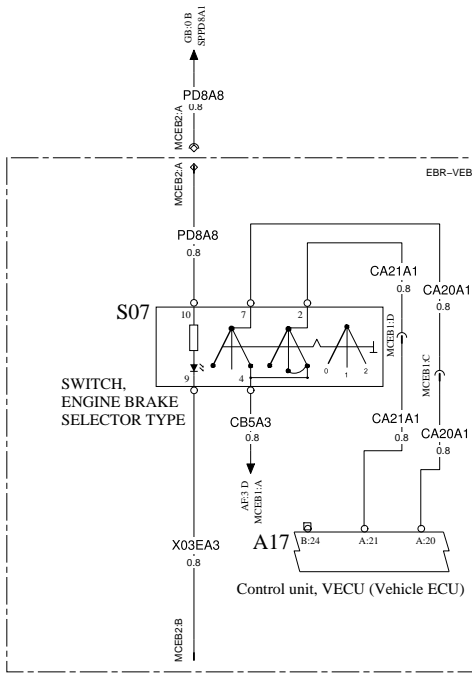
POWER SUPPLY ON SHEET AE



VEHICLE ECU4/4 ENGINE BRAKE SWITCHES

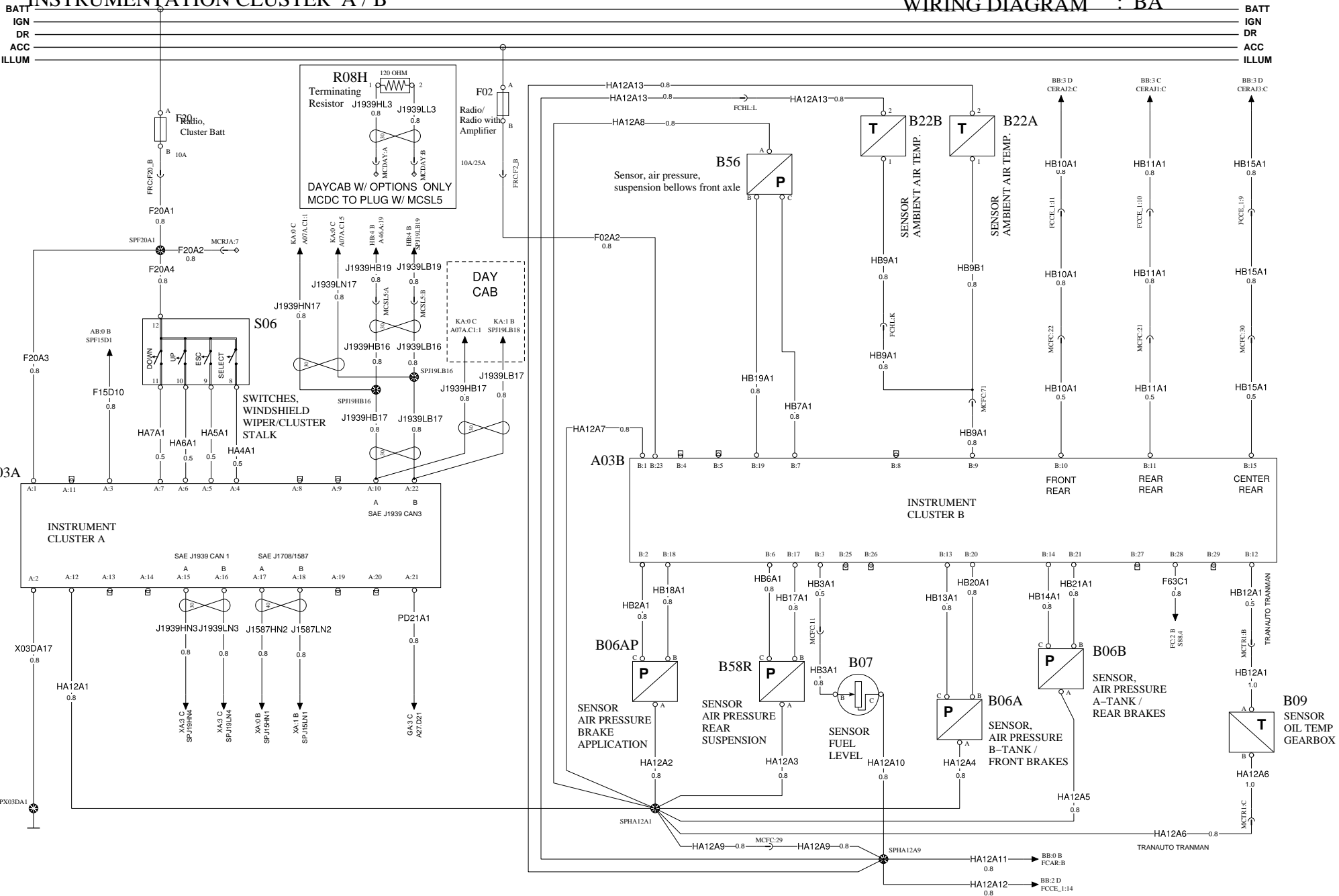
WIRING DIAGRAM : AH

BATT _____ BATT
 IGN _____ IGN
 DR _____ DR
 ACC _____ ACC
 ILLUM _____ ILLUM



INSTRUMENTATION CLUSTER A / B

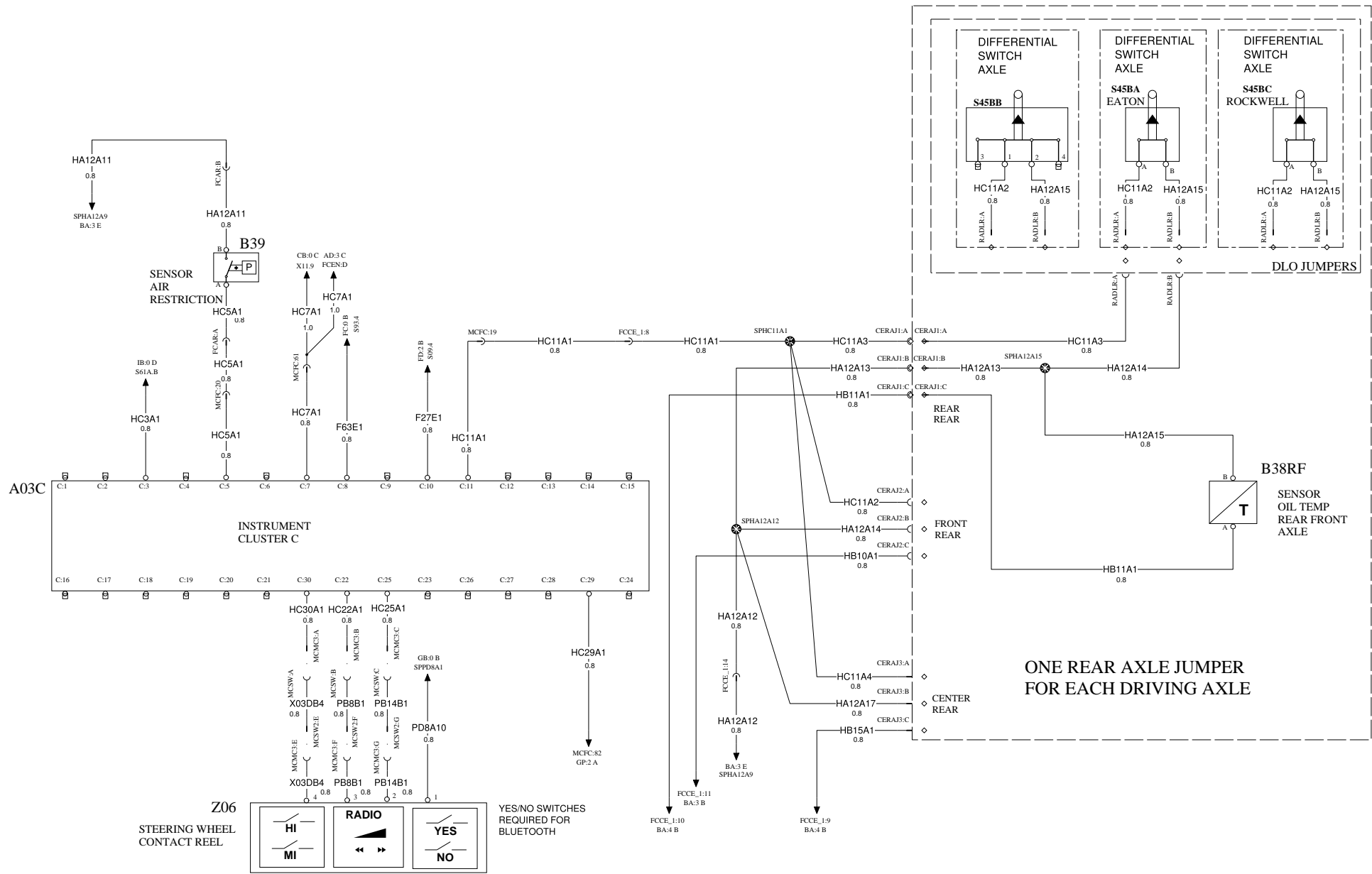
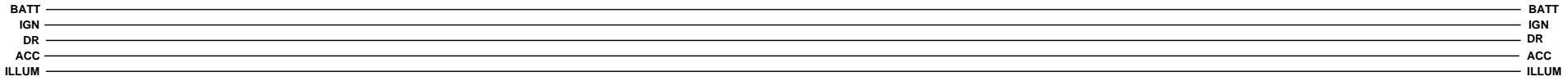
WIRING DIAGRAM : BA



<p>VOLVO Volvo 3P</p>	Document title WIRING DIAGRAM	Document No 20758328	Issue 07	Volume 1	Page 11(80)
	Document type PRODUCT SCHEMATIC				

INSTRUMENTATION CLUSTER C

WIRING DIAGRAM : BB

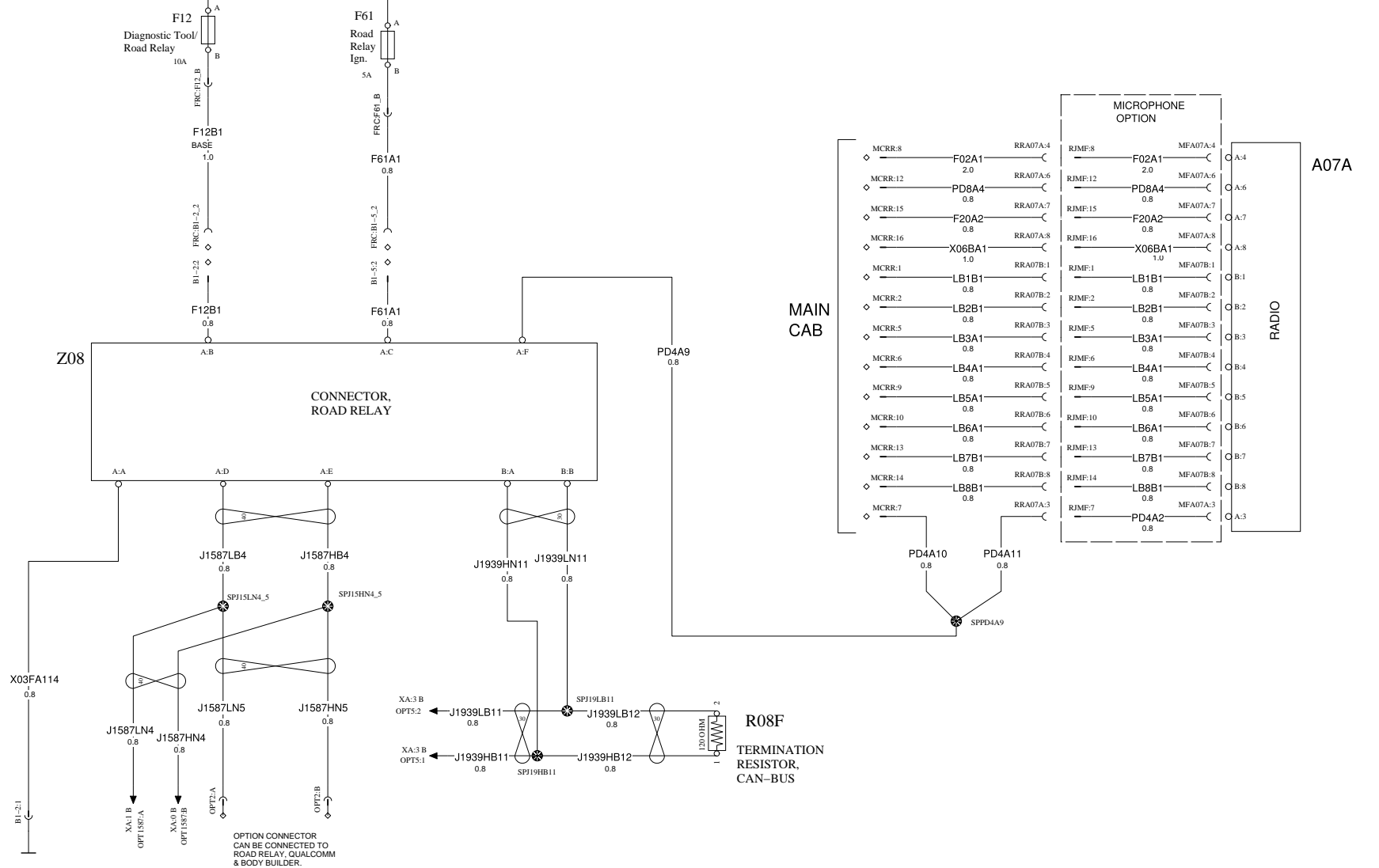


 Volvo 3P	Document title WIRING DIAGRAM	Document No 20758328	Issue 07	Volume 1	Page 12(80)
	Document type PRODUCT SCHEMATIC				

INSTRUMENTATION ROAD RELAY

WIRING DIAGRAM : BC

BATT
IGN
DR
ACC
ILLUM



Document title
WIRING DIAGRAM

Document type
PRODUCT SCHEMATIC

Document No
20758328

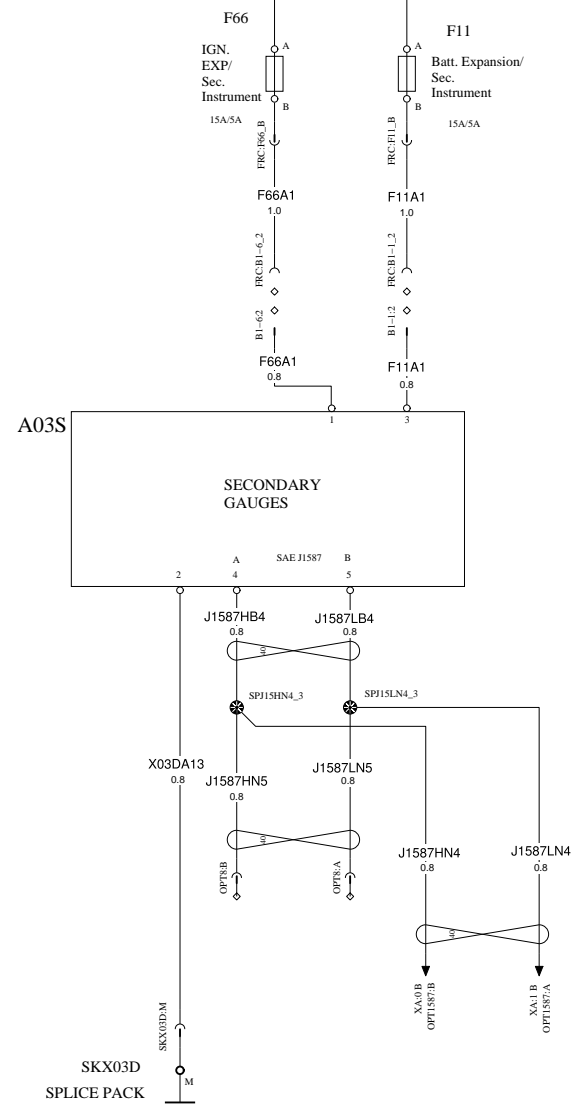
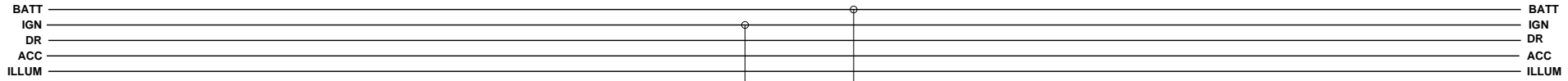
Issue
07

Volume
1

Page
13(80)

INSTRUMENTATION OPTIONAL GAUGES

WIRING DIAGRAM : BD



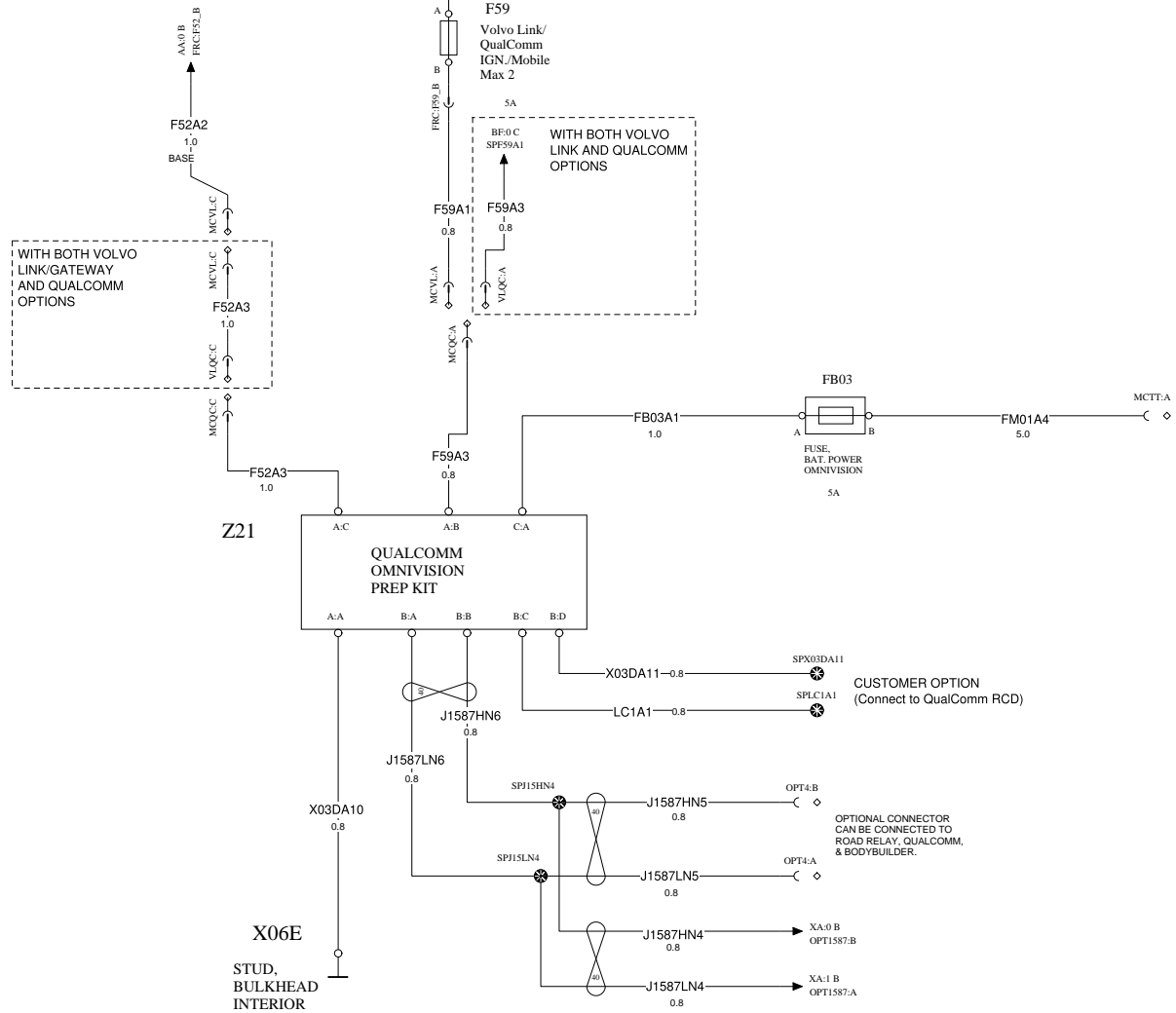
Document title
 WIRING DIAGRAM
 Document type
 PRODUCT SCHEMATIC

Document No
 20758328

Issue
 07

Volume
 1

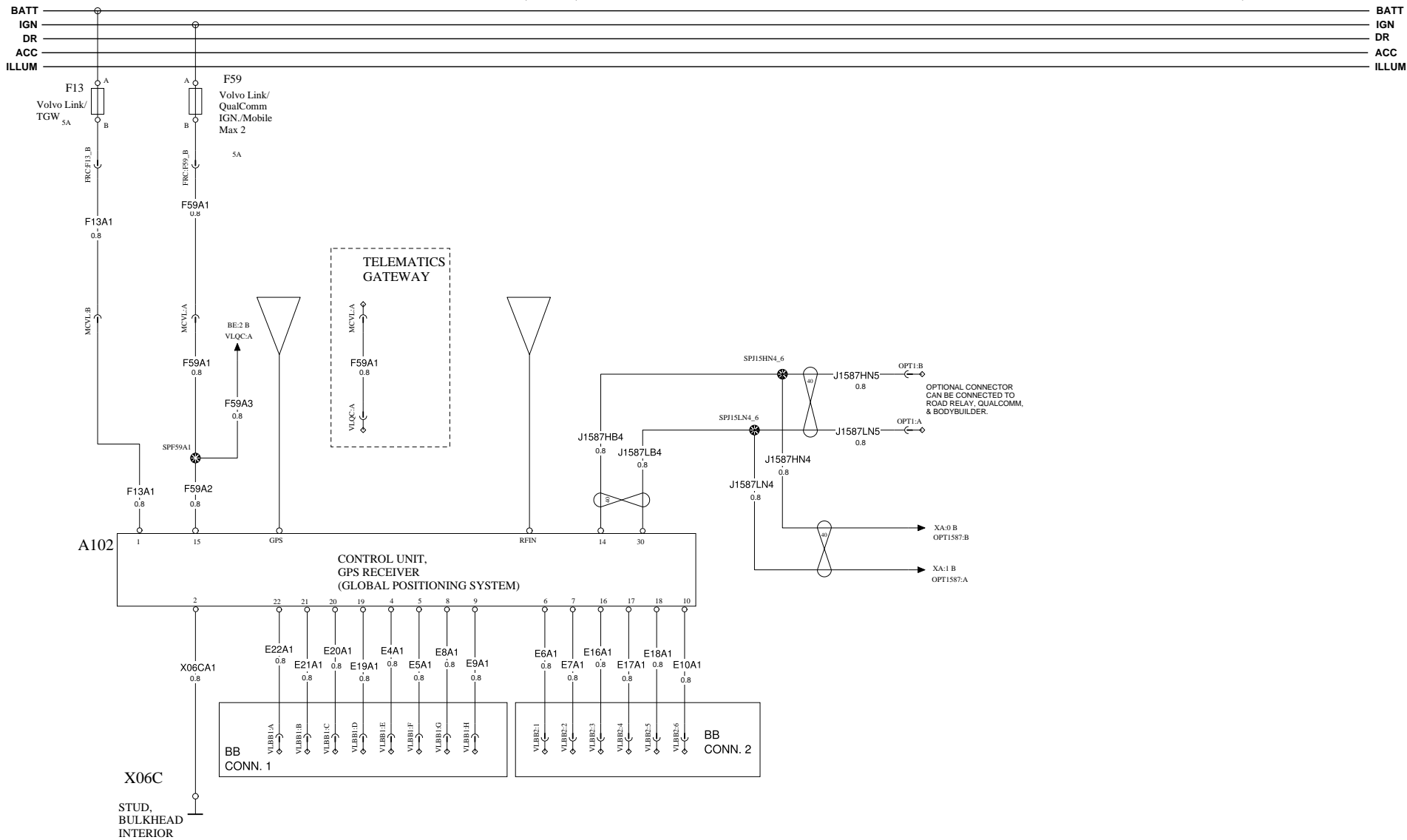
Page
 14(80)



COMMUNICATIONS VOLVO ACTION LINK (VAL)

WIRING DIAGRAM

: BF



Document title
WIRING DIAGRAM

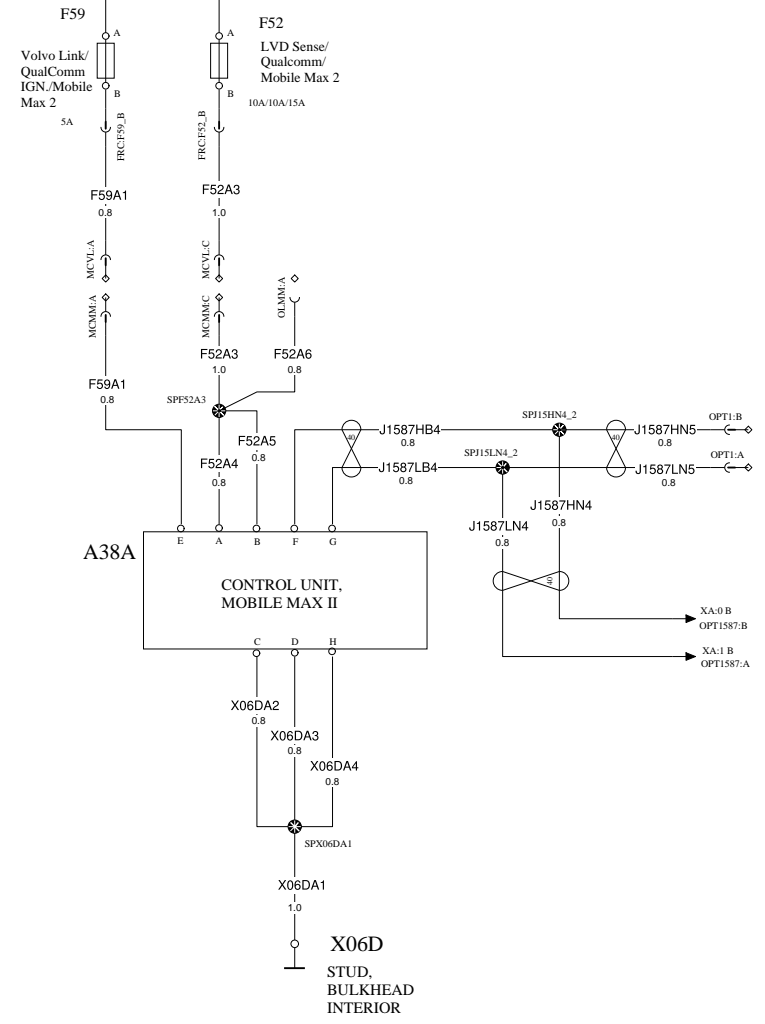
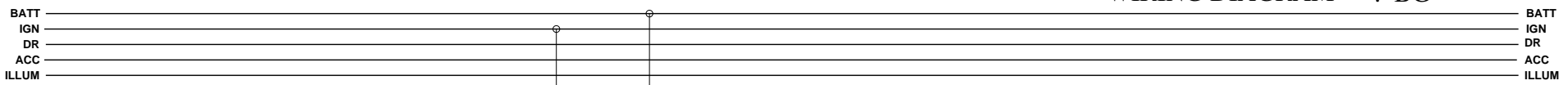
Document type
PRODUCT SCHEMATIC

Document No
20758328

Issue
07

Volume
1

Page
16(80)

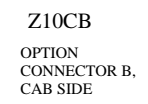
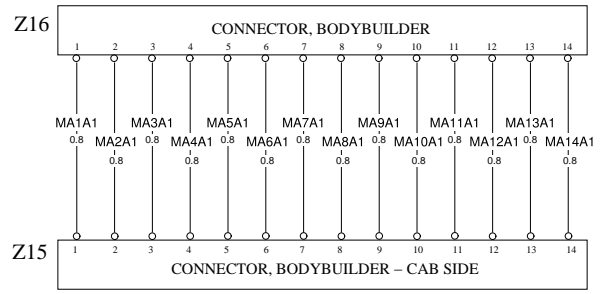
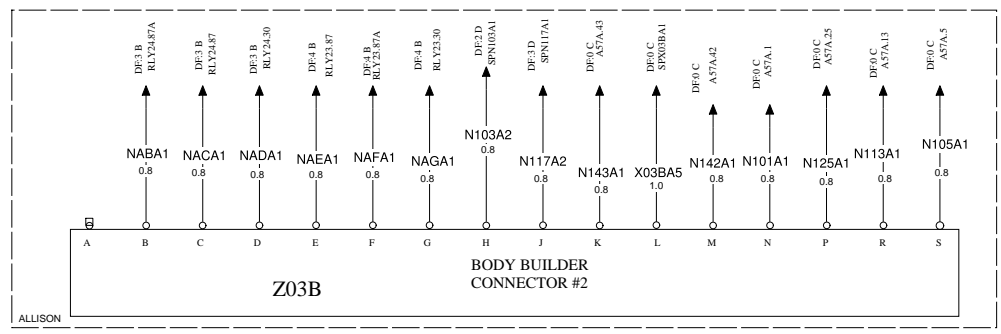
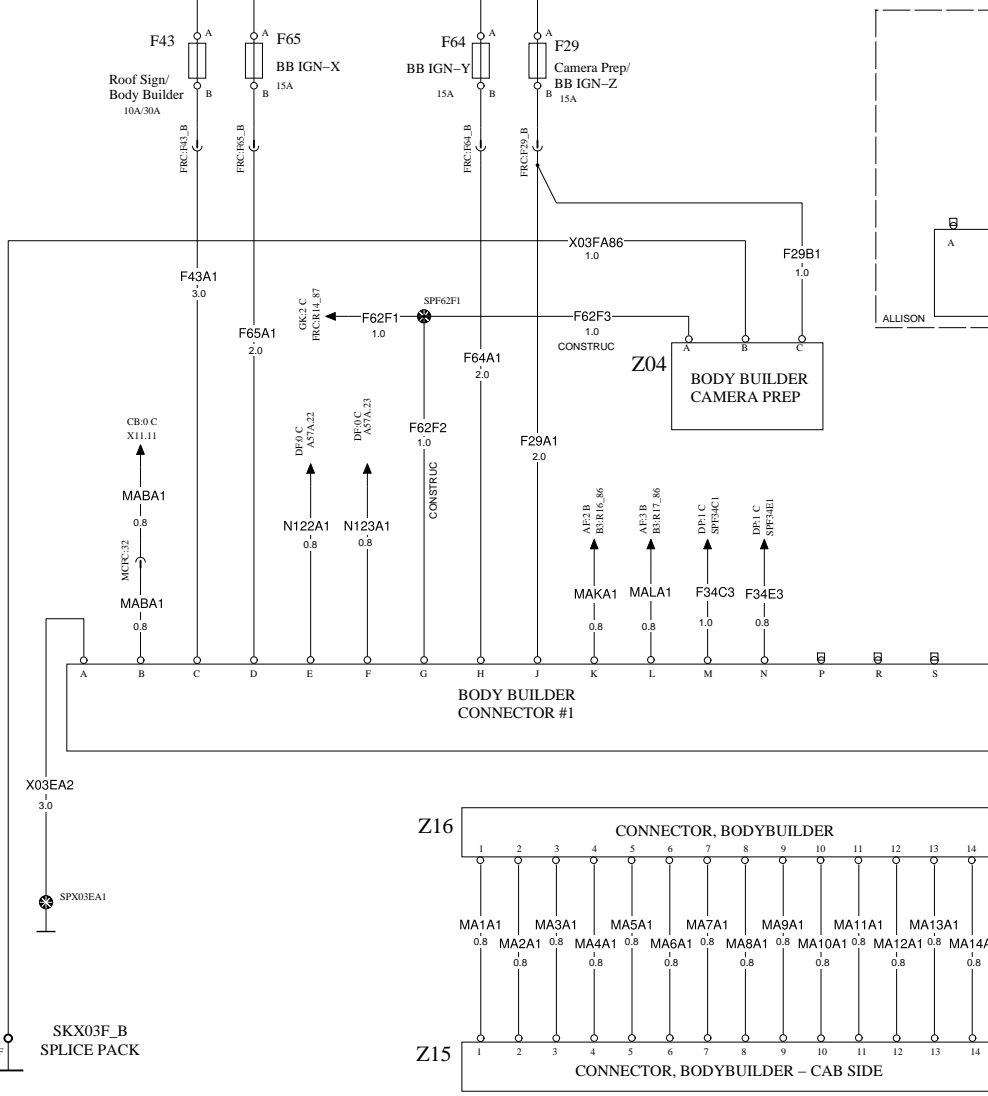
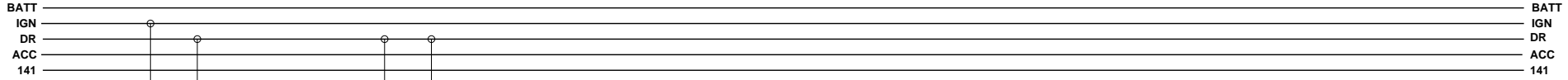


Document title WIRING DIAGRAM
Document type PRODUCT SCHEMATIC

Document No	Issue	Volume	Page
20758328	07	1	17(80)

BODYBUILDER

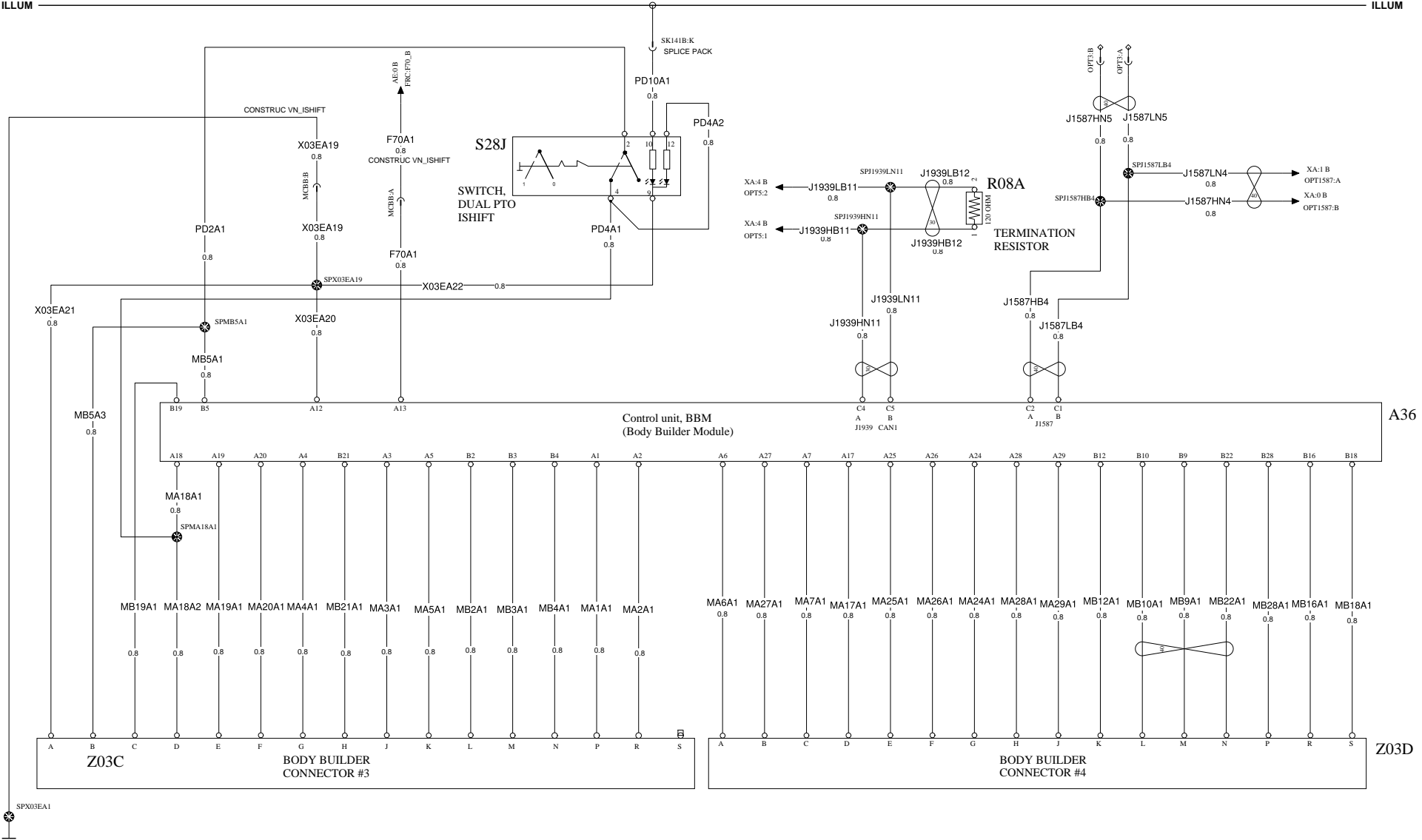
WIRING DIAGRAM : BH



BODY BUILDER MODULE

WIRING DIAGRAM : BI

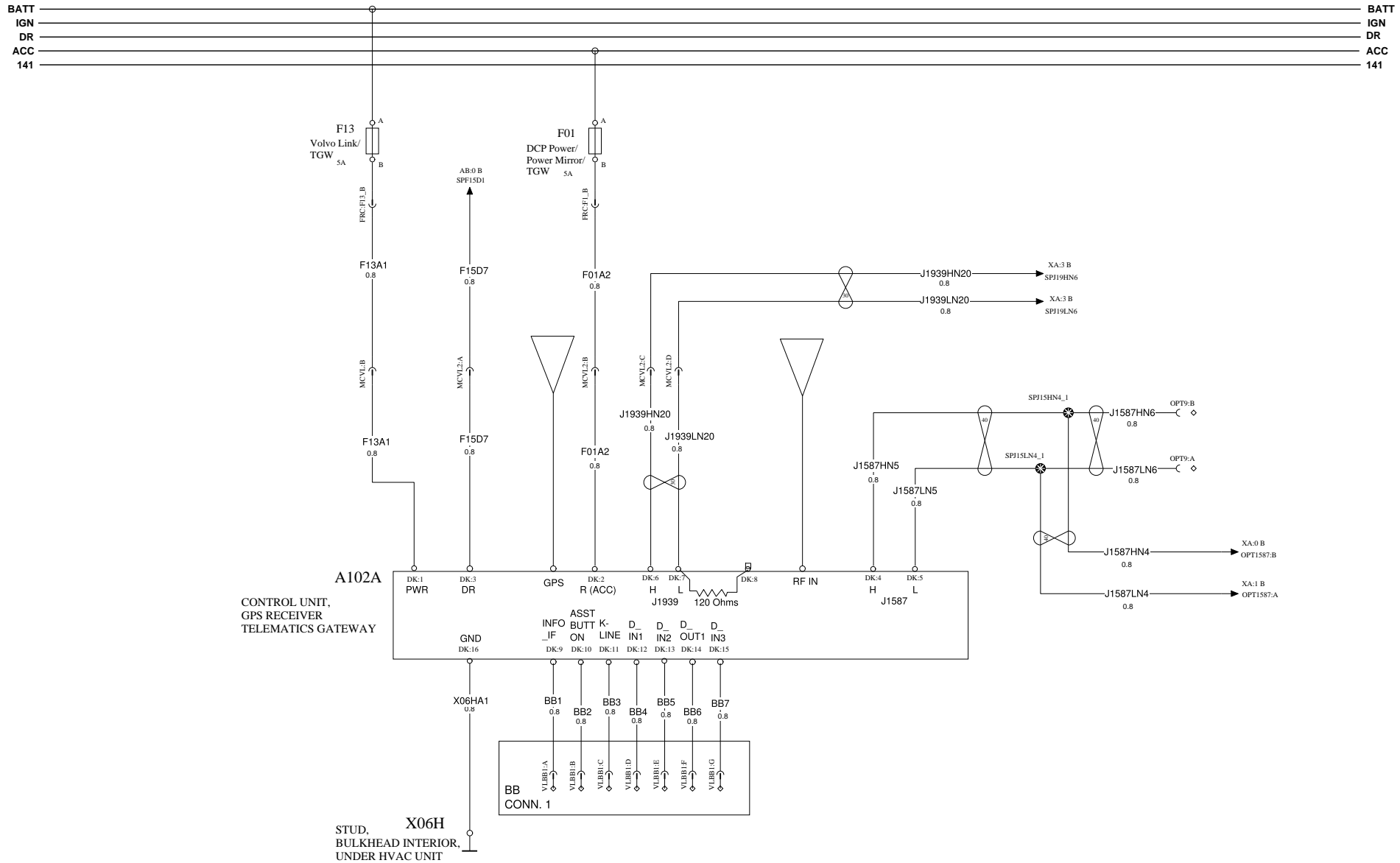
BATT _____ **BATT**
IGN _____ **IGN**
DR _____ **DR**
ACC _____ **ACC**
ILLUM _____ **ILLUM**



TELEMATICS GATEWAY (TGW)

WIRING DIAGRAM

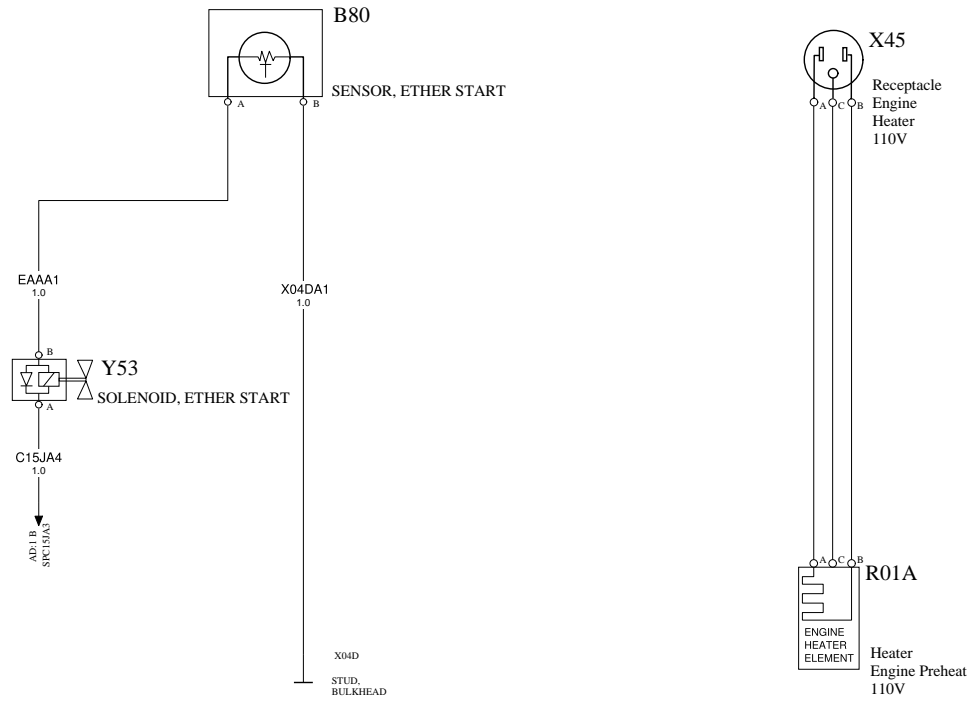
: BJ



ETHER START/ENGINE HEATER

WIRING DIAGRAM : CA

BATT	_____	BATT
IGN	_____	IGN
DR	_____	DR
ACC	_____	ACC
141	_____	141



VOLVO
Volvo 3P

Document title
WIRING DIAGRAM

Document type
PRODUCT SCHEMATIC

Document No

20758328

Issue

07

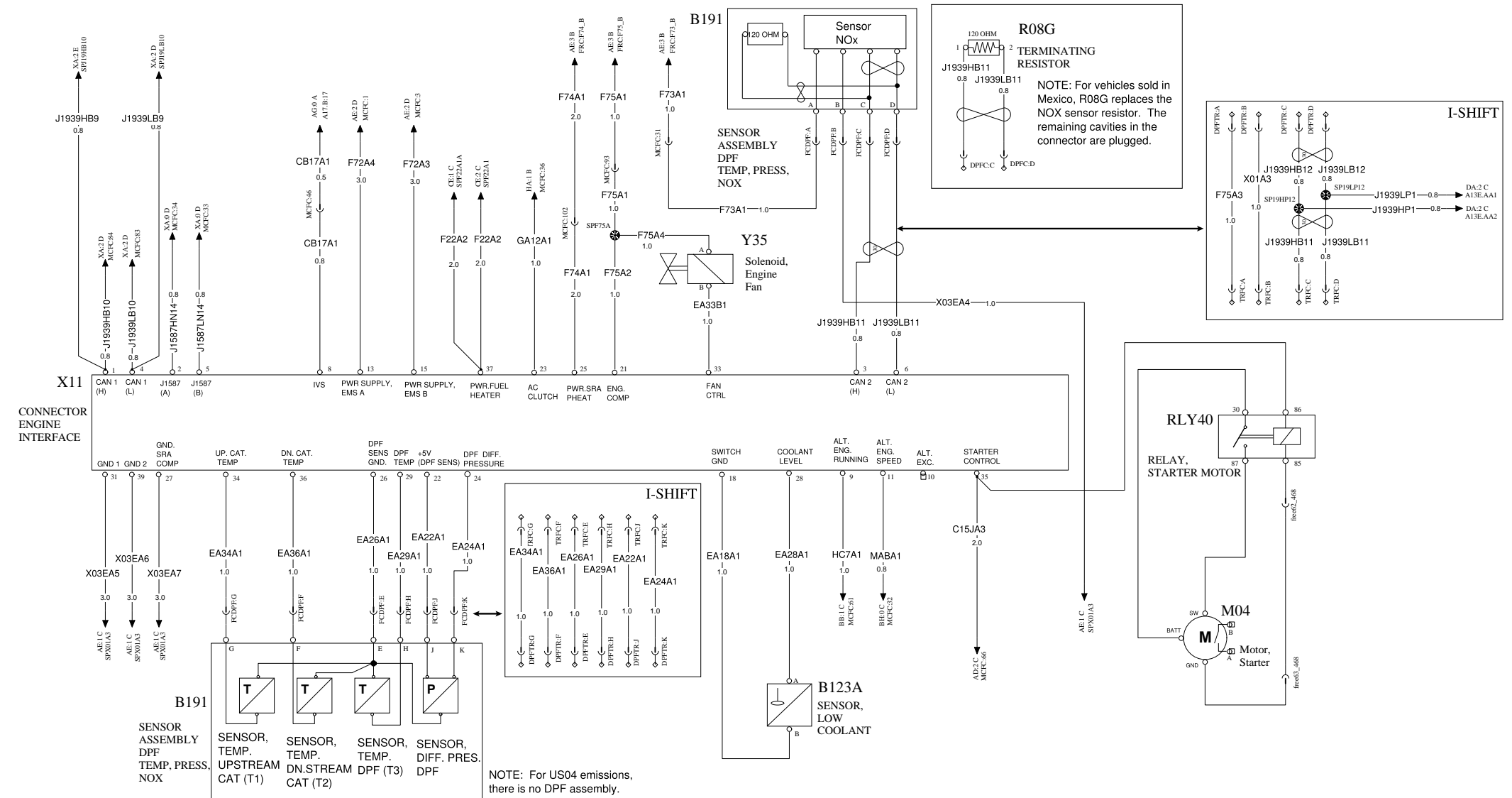
Volume

01

Page

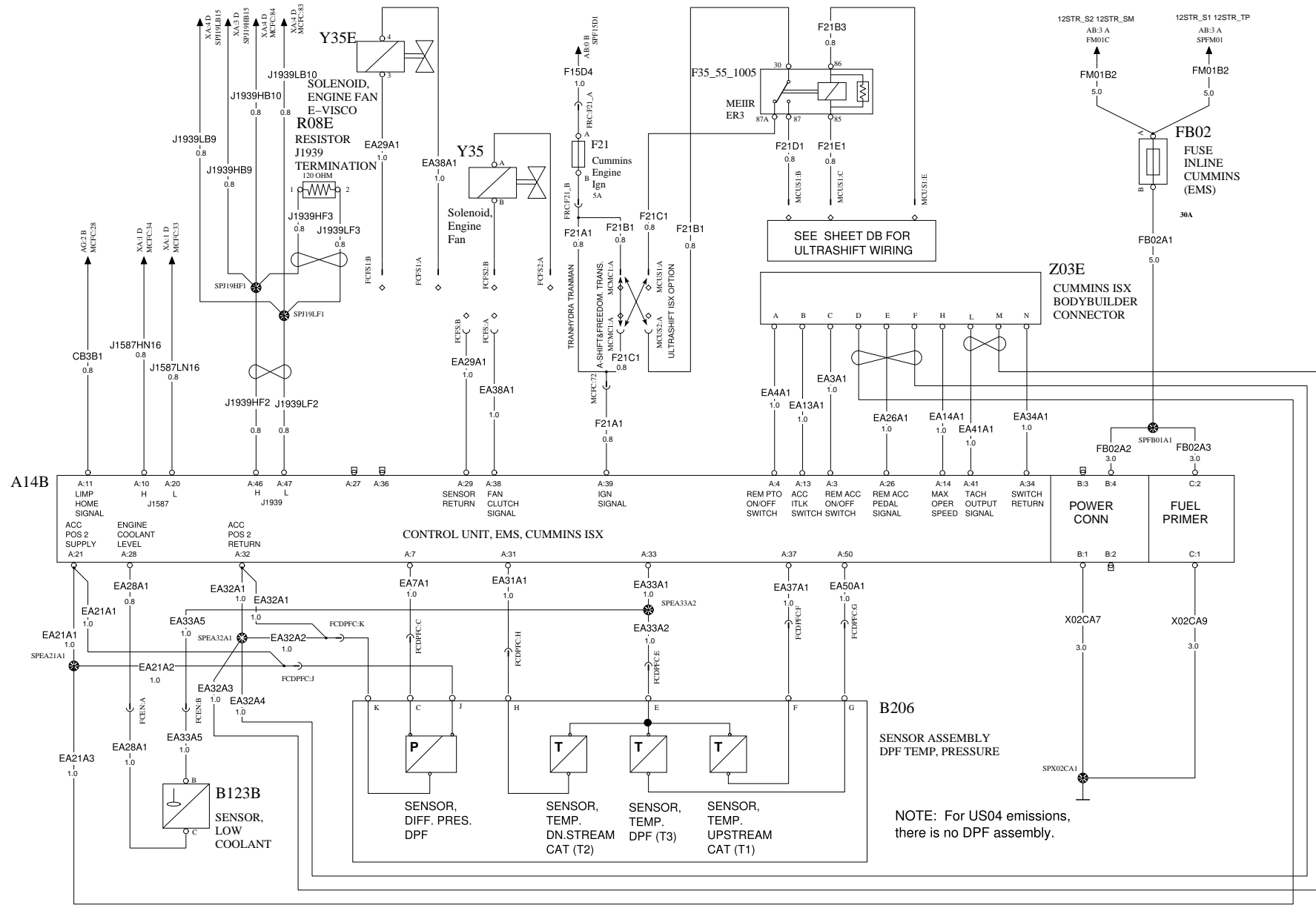
21(80)

BATT
IGN
DR
ACC
ILLUM



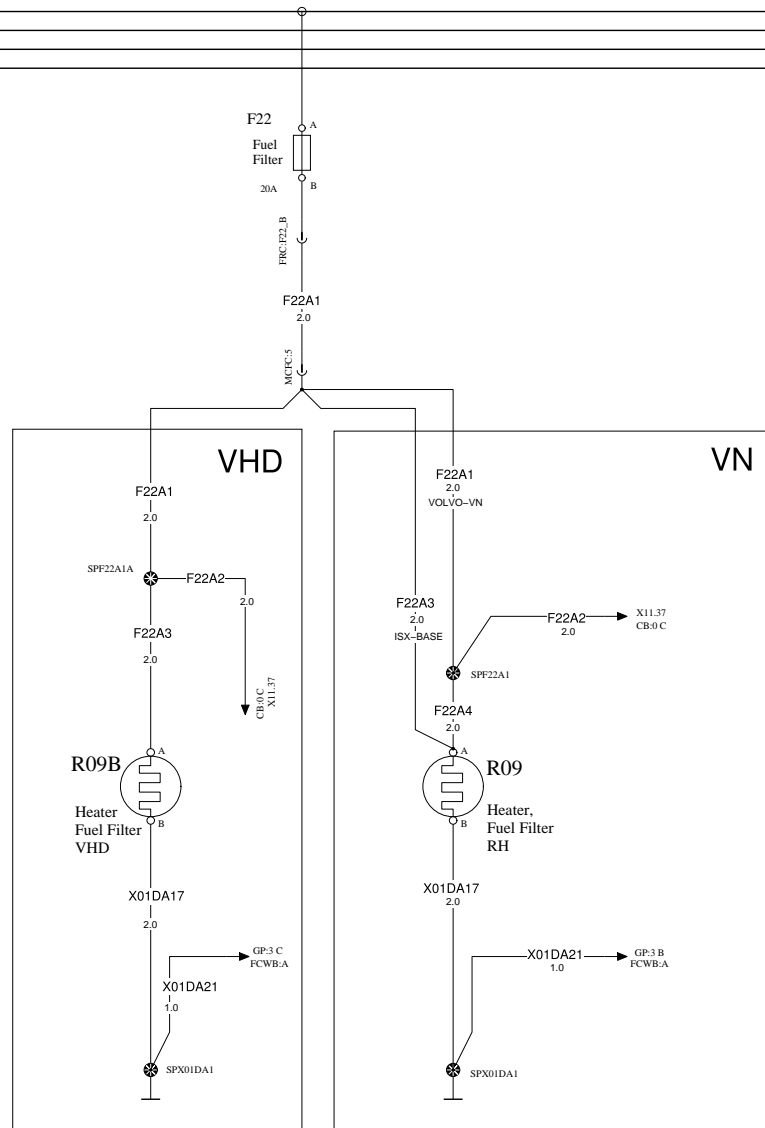
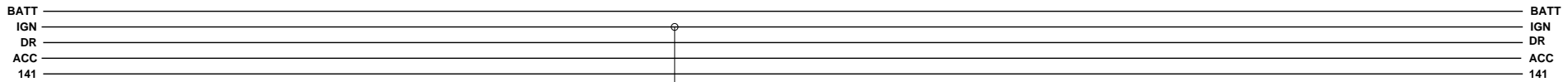
NOTE: For US04 emissions, there is no DPF assembly.

BATT
IGN
DR
ACC
ILLUM



FUEL FILTER HEATER

WIRING DIAGRAM : CE



Document title
WIRING DIAGRAM
 Document type
PRODUCT SCHEMATIC

Document No
20758328

Issue
07

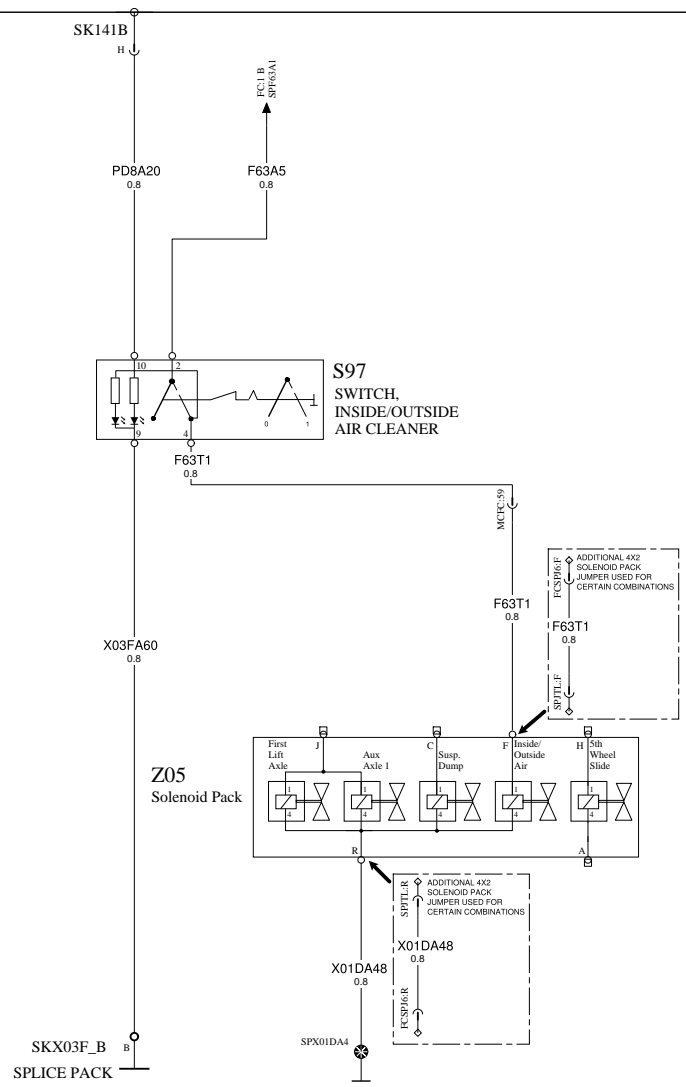
Volume
01

Page
24(80)

INSIDE/OUTSIDE AIR CLEANER

WIRING DIAGRAM : CH

BATT _____ BATT
 IGN _____ IGN
 DR _____ DR
 ACC _____ ACC
 141 _____ 141



VOLVO
 Volvo 3P

Document title
WIRING DIAGRAM

Document type
PRODUCT SCHEMATIC

Document No
20758328

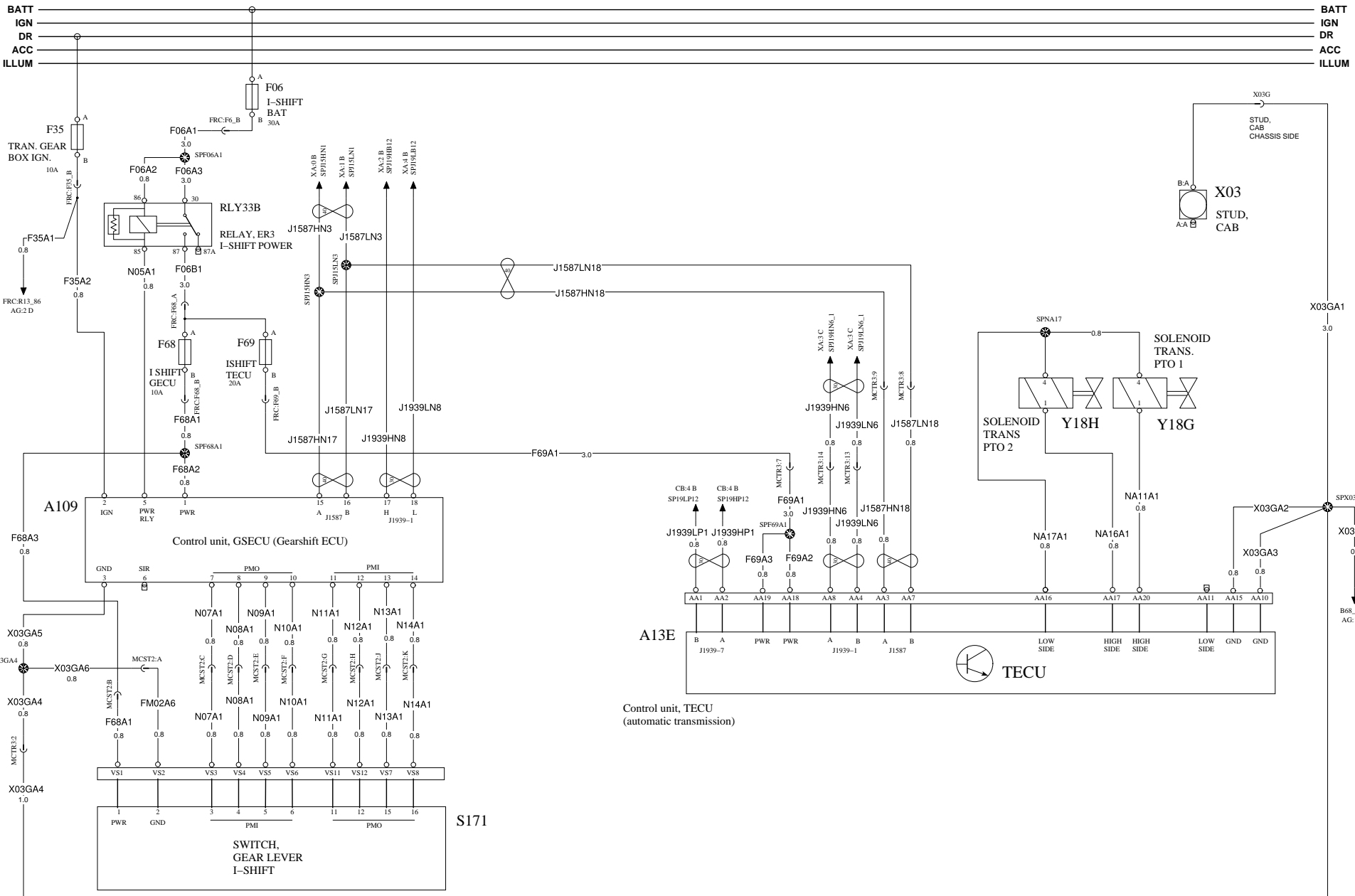
Issue
07

Volume
01

Page
25(80)

TRANSMISSION I-SHIFT

WIRING DIAGRAM : DA

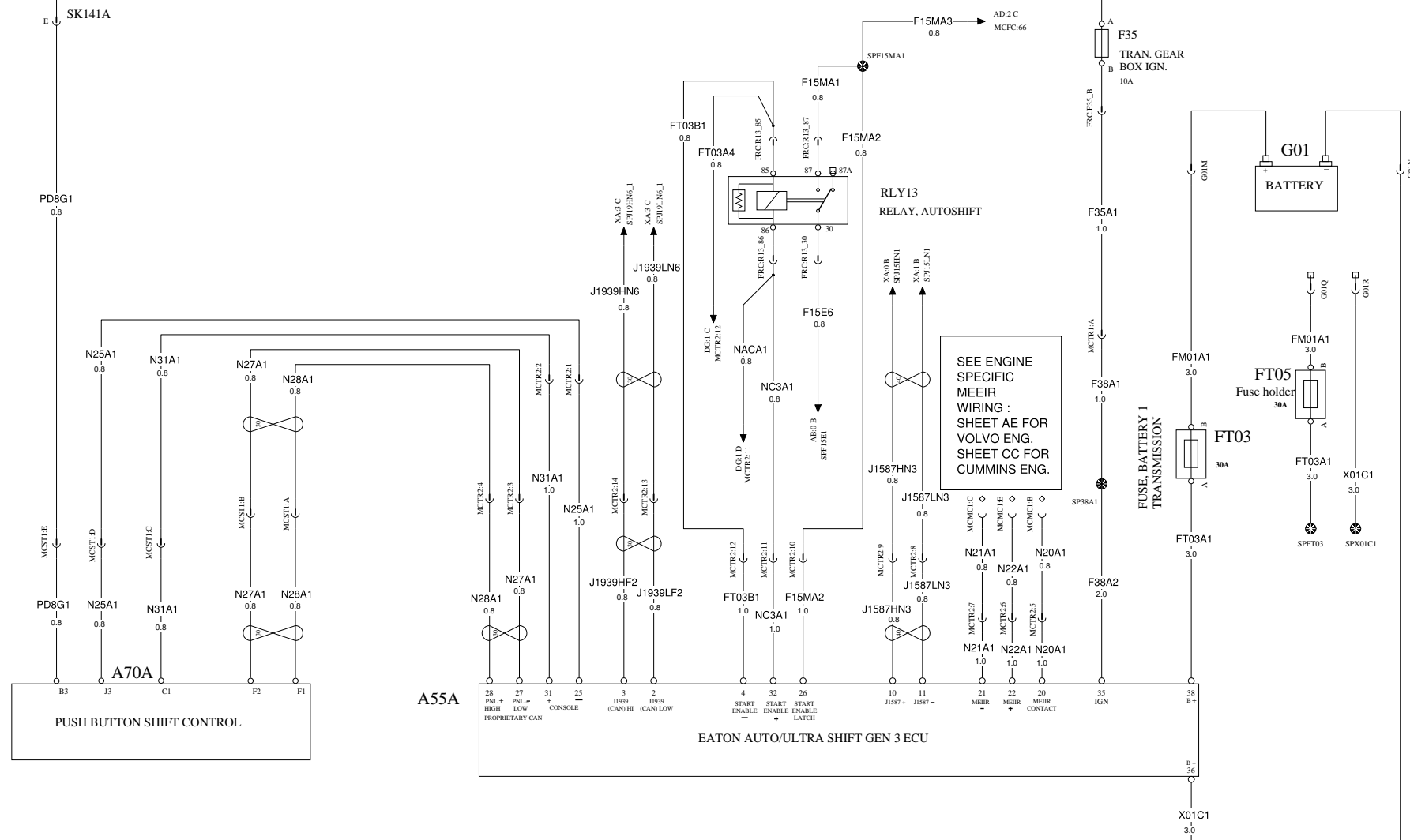


TRANSMISSION CONTROL AUTOSHIFT II; ULTRASHIFT

WIRING DIAGRAM : DB

BATT
IGN
DR
ACC
ILLUM

BATT
IGN
DR
ACC
ILLUM



Document title
WIRING DIAGRAM

Document type
PRODUCT SCHEMATIC

Document No

20758328

Issue

07

Volume

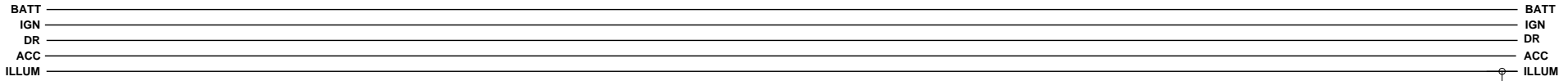
01

Page

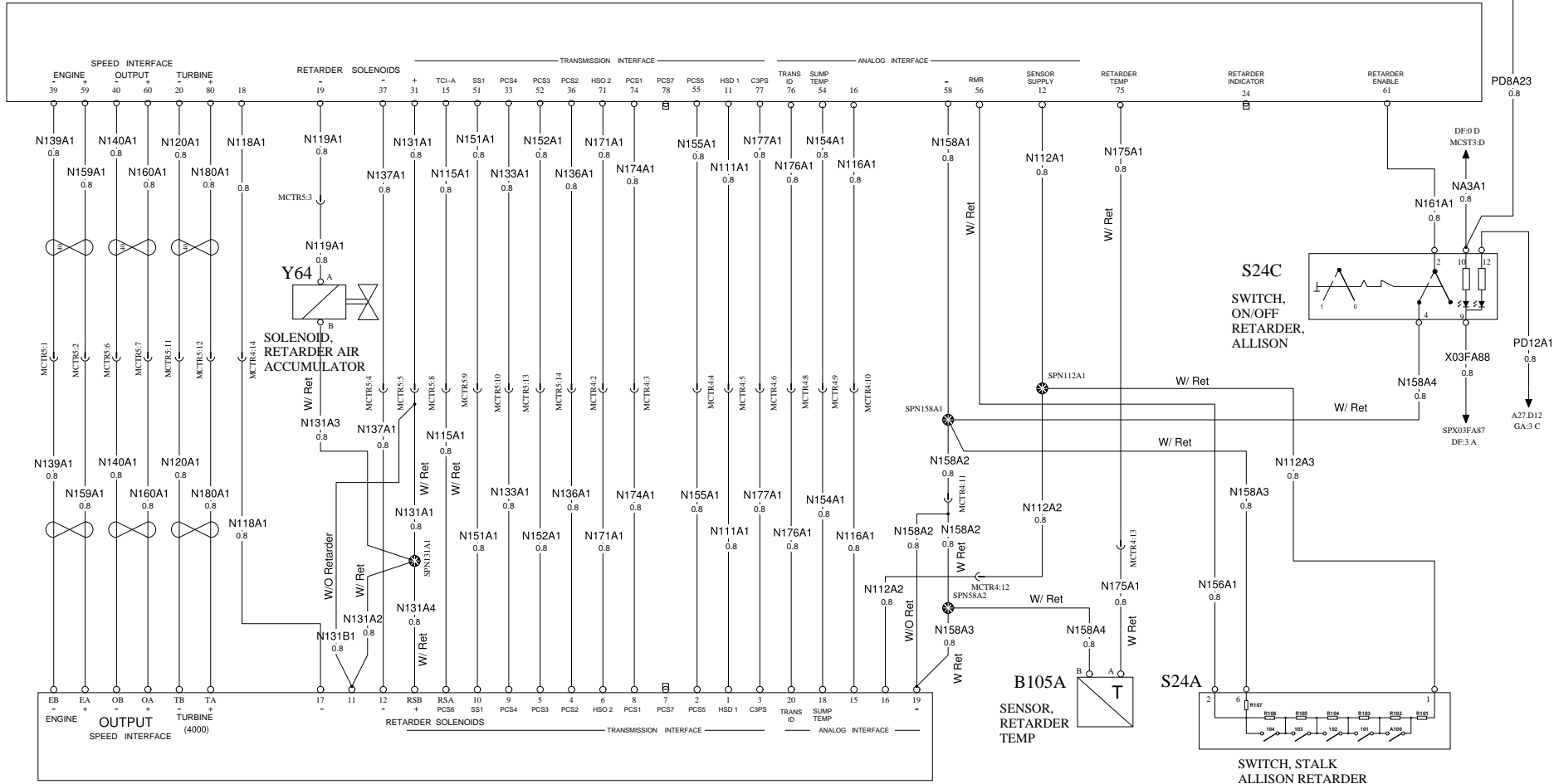
27(80)

TRANSMISSION CONTROL 4th GENERATION 1/2

WIRING DIAGRAM : DE



A57A CONTROL UNIT ALLISON TRANS. GEN 4



A58A ALLISON TRANSMISSION

VOLVO
Volvo 3P

Document title
WIRING DIAGRAM
Document type
PRODUCT SCHEMATIC

Document No
20758328

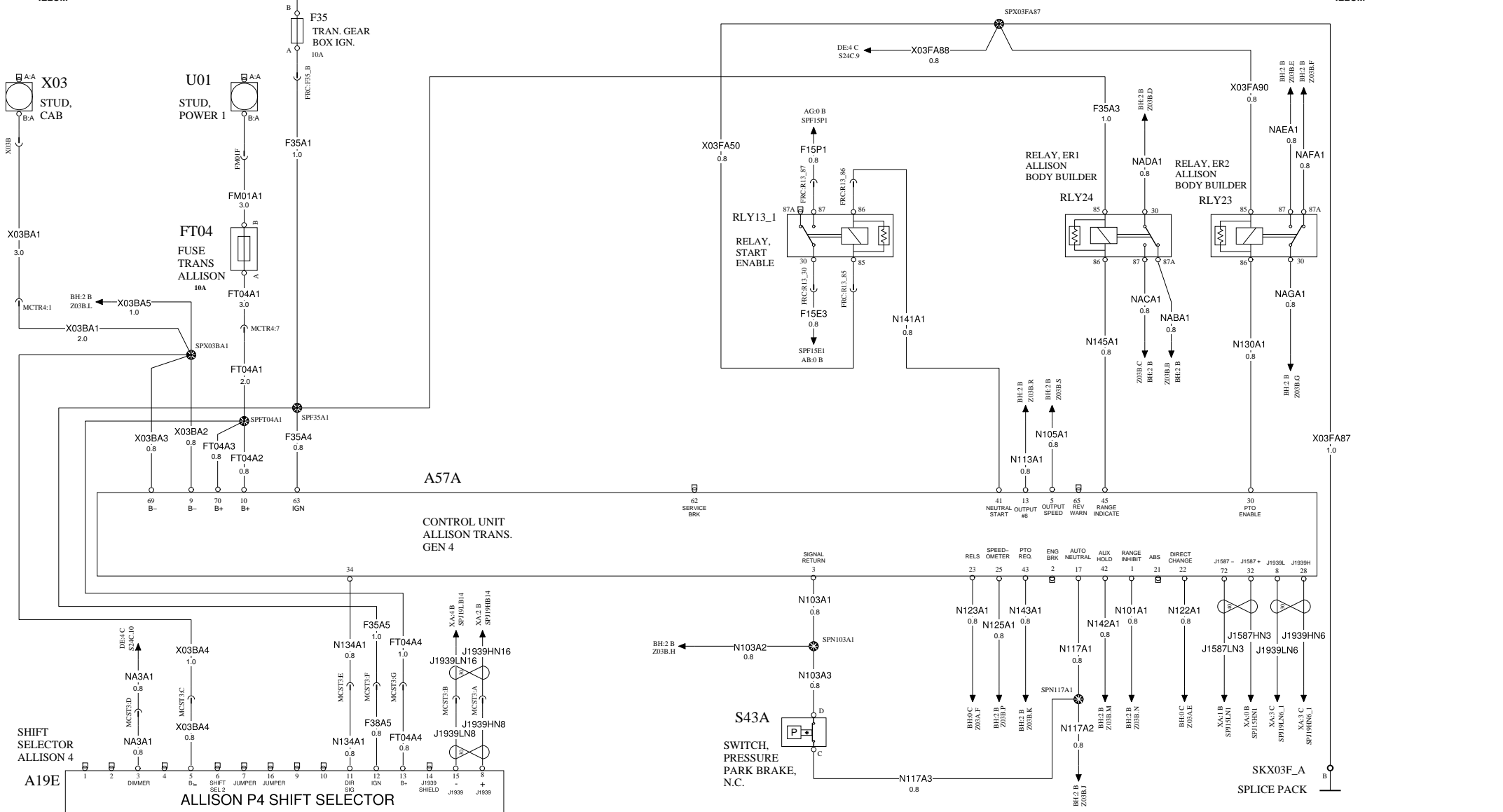
Issue
07
Volume
1
Page
28(80)

TRANSMISSION CONTROL 4th GENERATION 2/2

WIRING DIAGRAM : DF

BATT
IGN
DR
ACC
ILLUM

BATT
IGN
DR
ACC
ILLUM

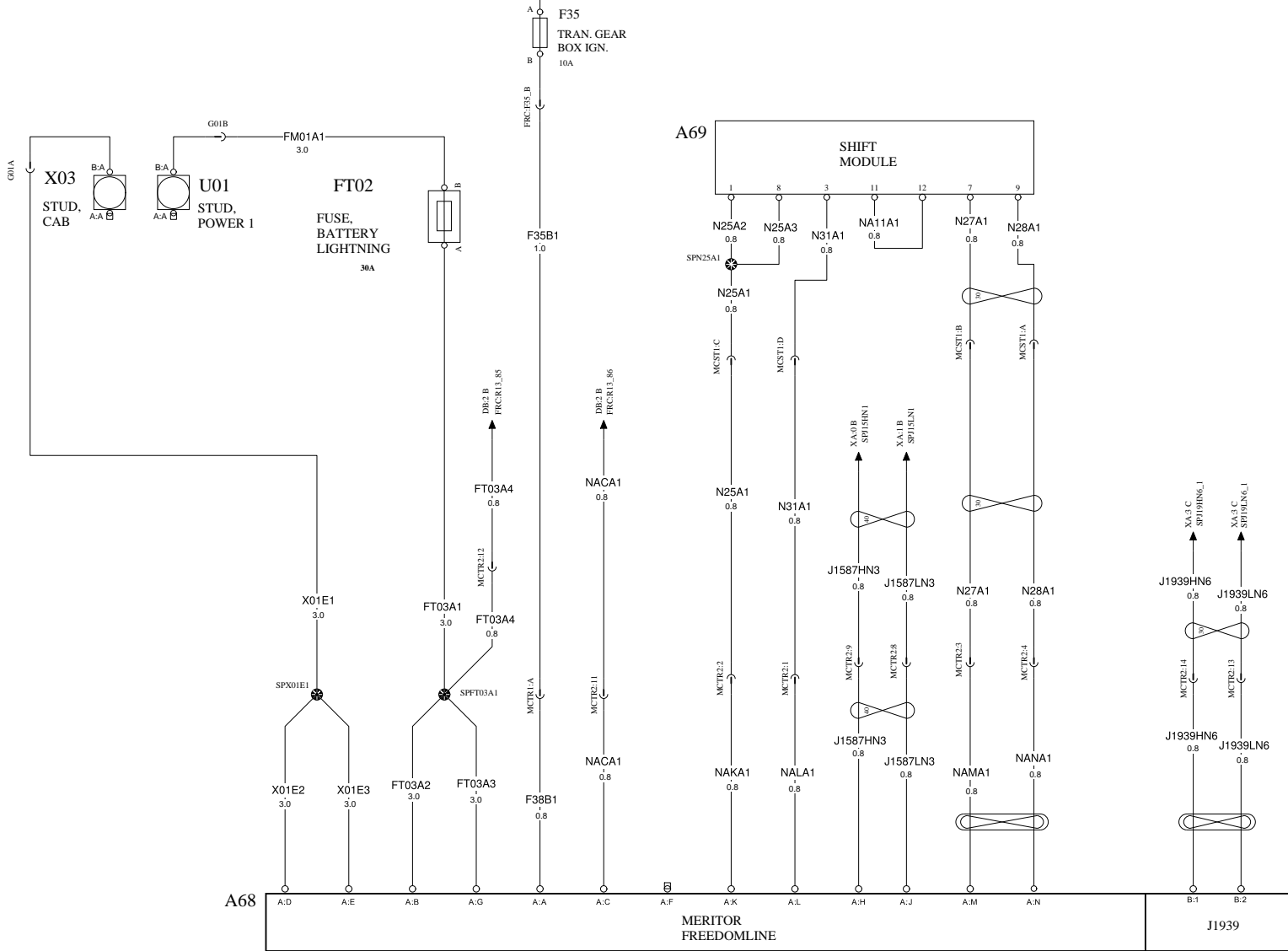


TRANSMISSION CONTROL FREEDOMLINE

WIRING DIAGRAM : DG

BATT
IGN
DR
ACC
ILLUM

BATT
IGN
DR
ACC
ILLUM



Document title
WIRING DIAGRAM

Document type
PRODUCT SCHEMATIC

Document No
20758328

Issue
07

Volume
01

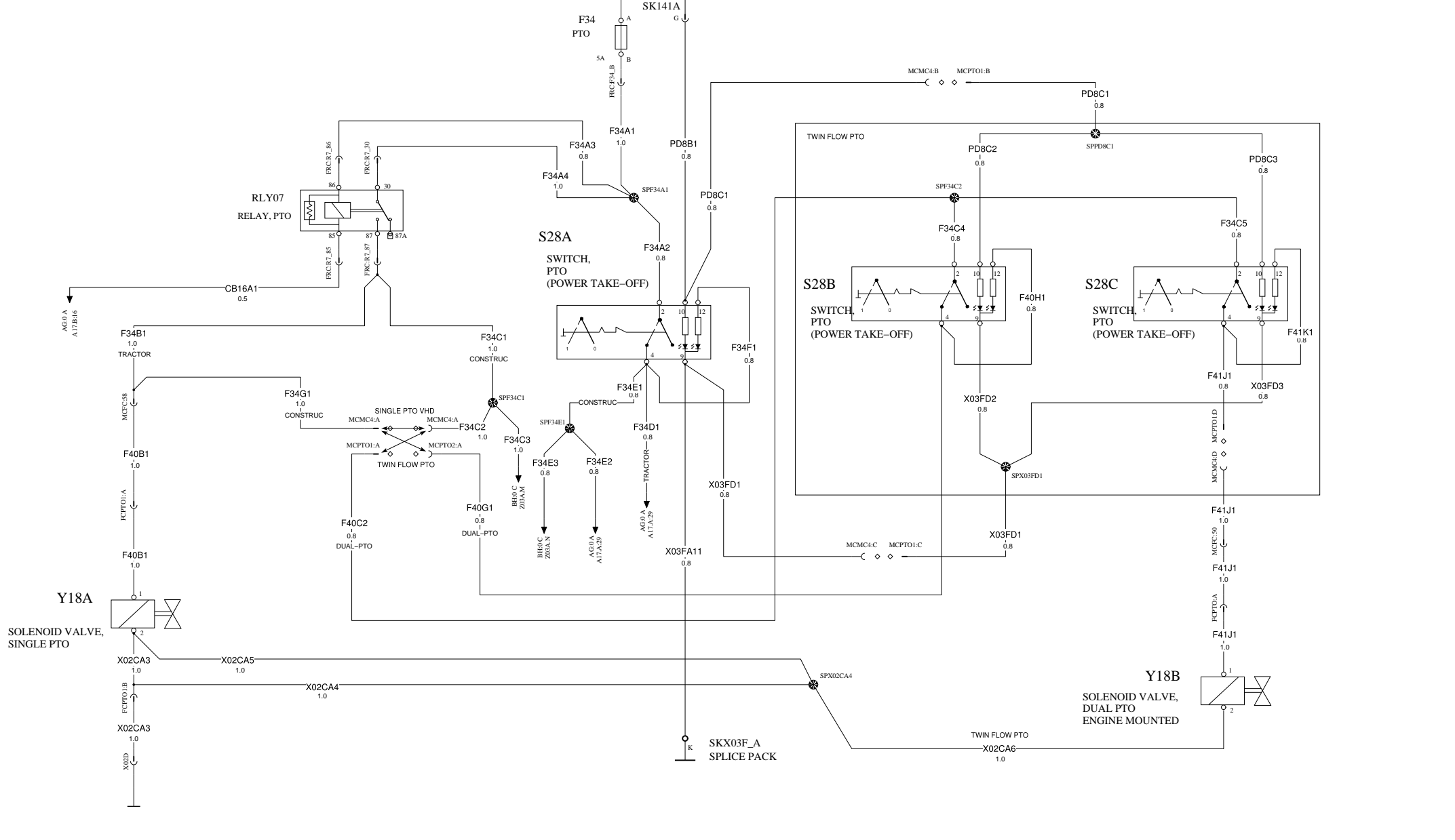
Page
30(80)

PTO

WIRING DIAGRAM : DP

BATT
IGN
DR
ACC
ILLUM

BATT
IGN
DR
ACC
ILLUM



VOLVO
Volvo 3P

Document title
WIRING DIAGRAM

Document type
PRODUCT SCHEMATIC

Document No
20758328

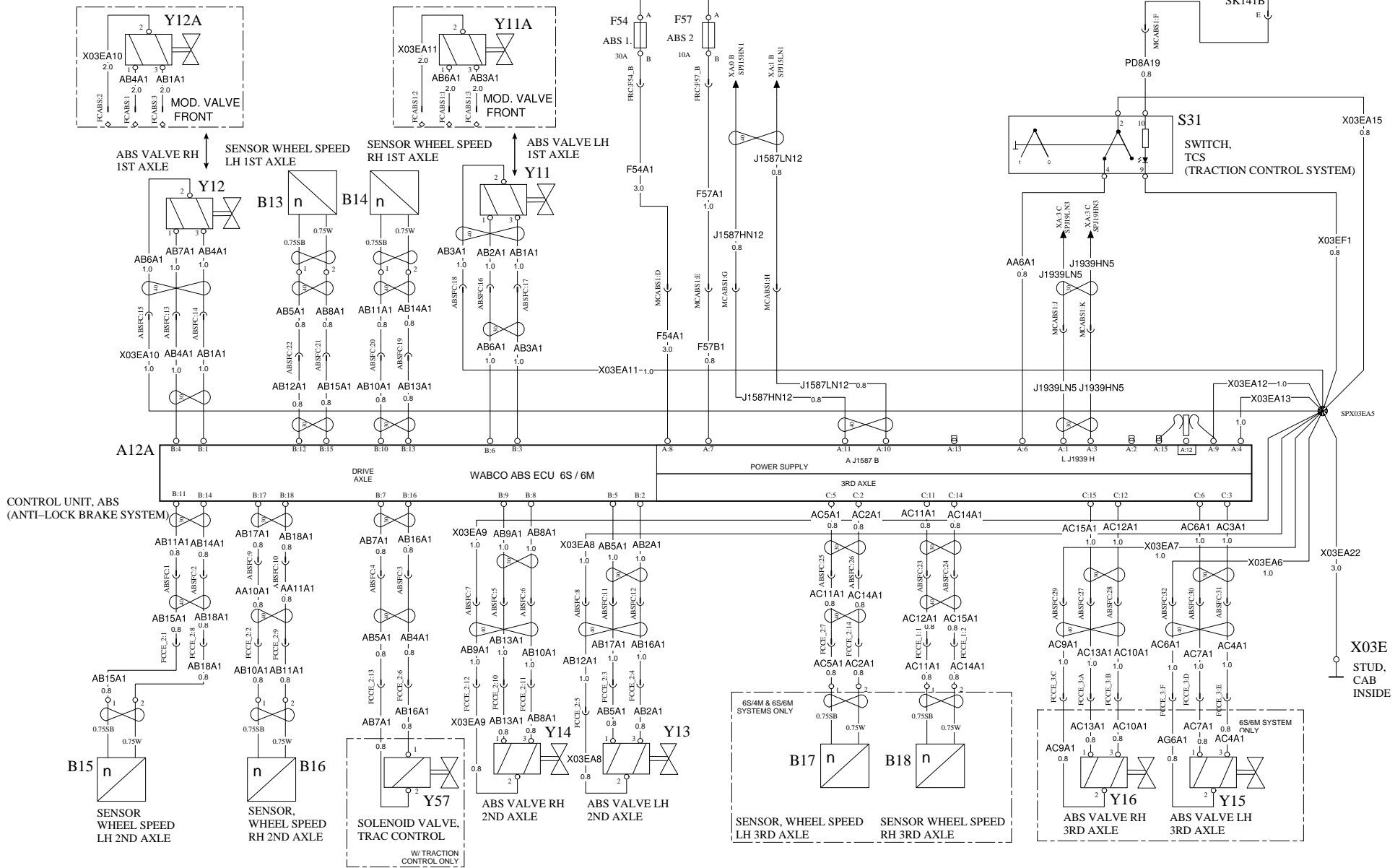
Issue	Volume	Page
07	01	31(80)

ABS CONTROL WABCO

WIRING DIAGRAM : EA

BATT
IGN
DR
ACC
141

BATT
IGN
DR
ACC
141



VOLVO
Volvo 3P

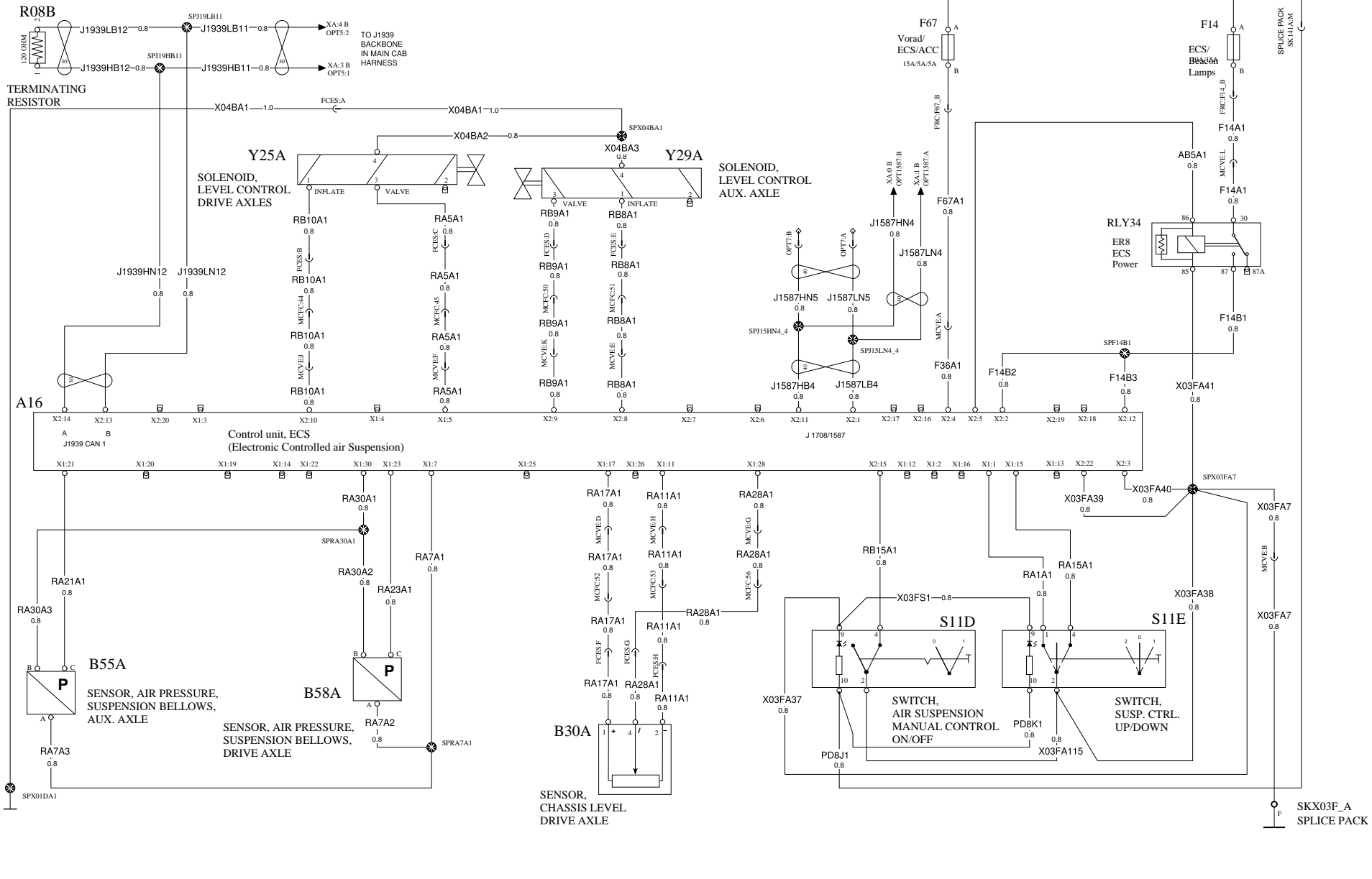
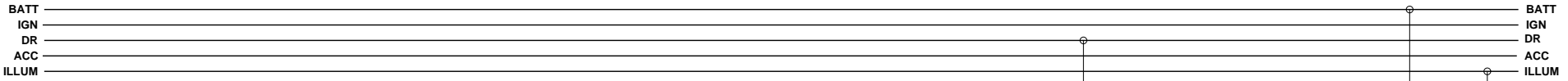
Document title
WIRING DIAGRAM

Document type
PRODUCT SCHEMATIC

Document No	Issue	Volume	Page
20758328	07	01	32(80)

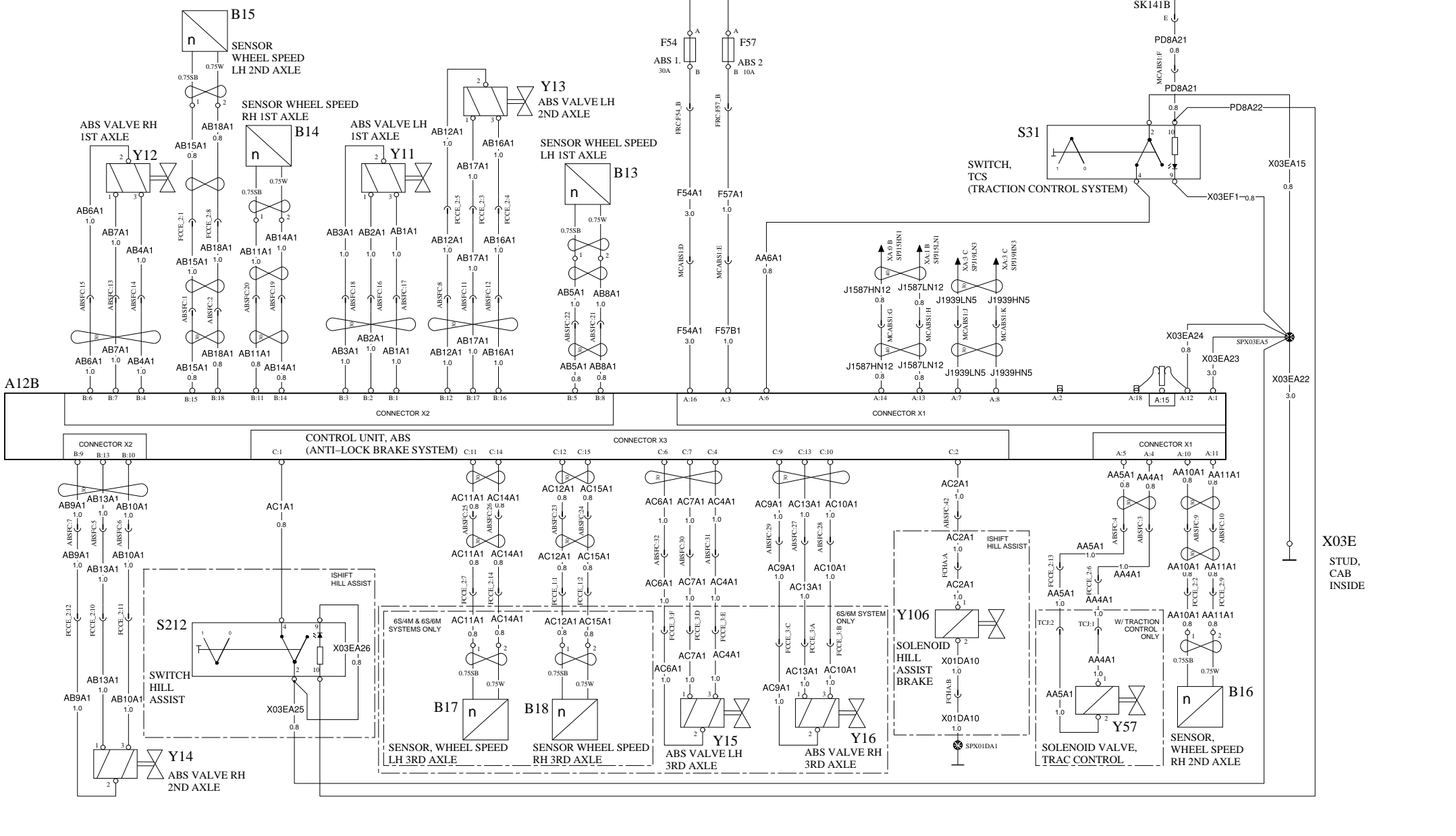
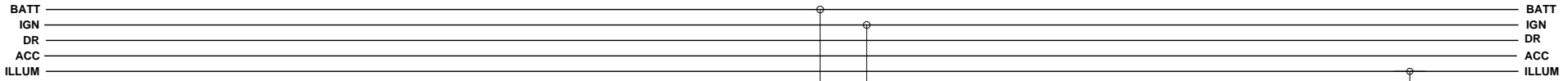
SUSPENSION ECU 6X2

WIRING DIAGRAM : EB



ABS CONTROL BENDIX

WIRING DIAGRAM : EC



X03E
STUD.
CAB
INSIDE

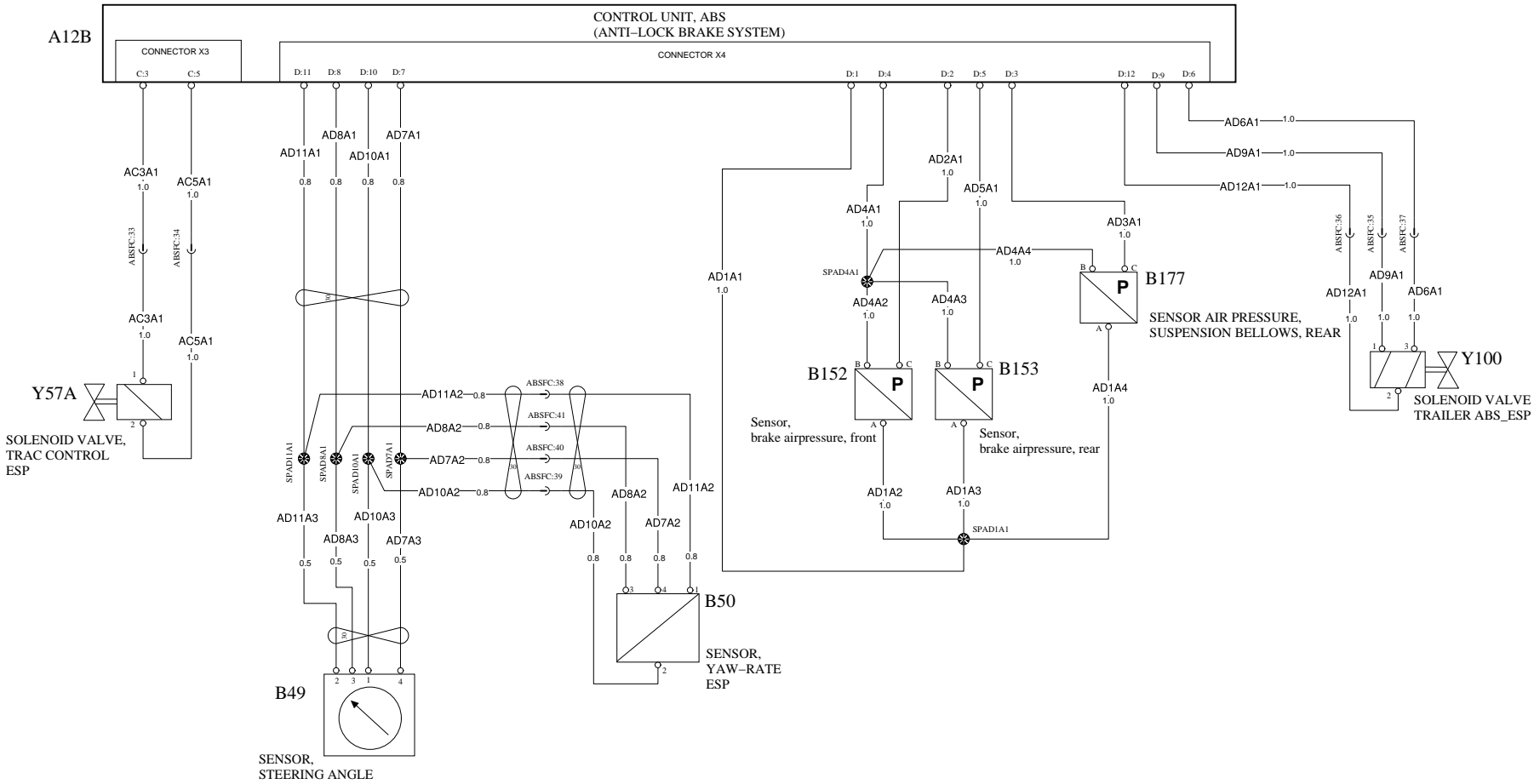


Document title WIRING DIAGRAM	Document No 20758328	Issue 07	Volume 01	Page 34(80)
Document type PRODUCT SCHEMATIC				

ABS CONTROL BENDIX ESP (ELECTRONIC STABILITY CONTROL)

WIRING DIAGRAM : ED

BATT _____ BATT
 IGN _____ IGN
 DR _____ DR
 ACC _____ ACC
 ILLUM _____ ILLUM



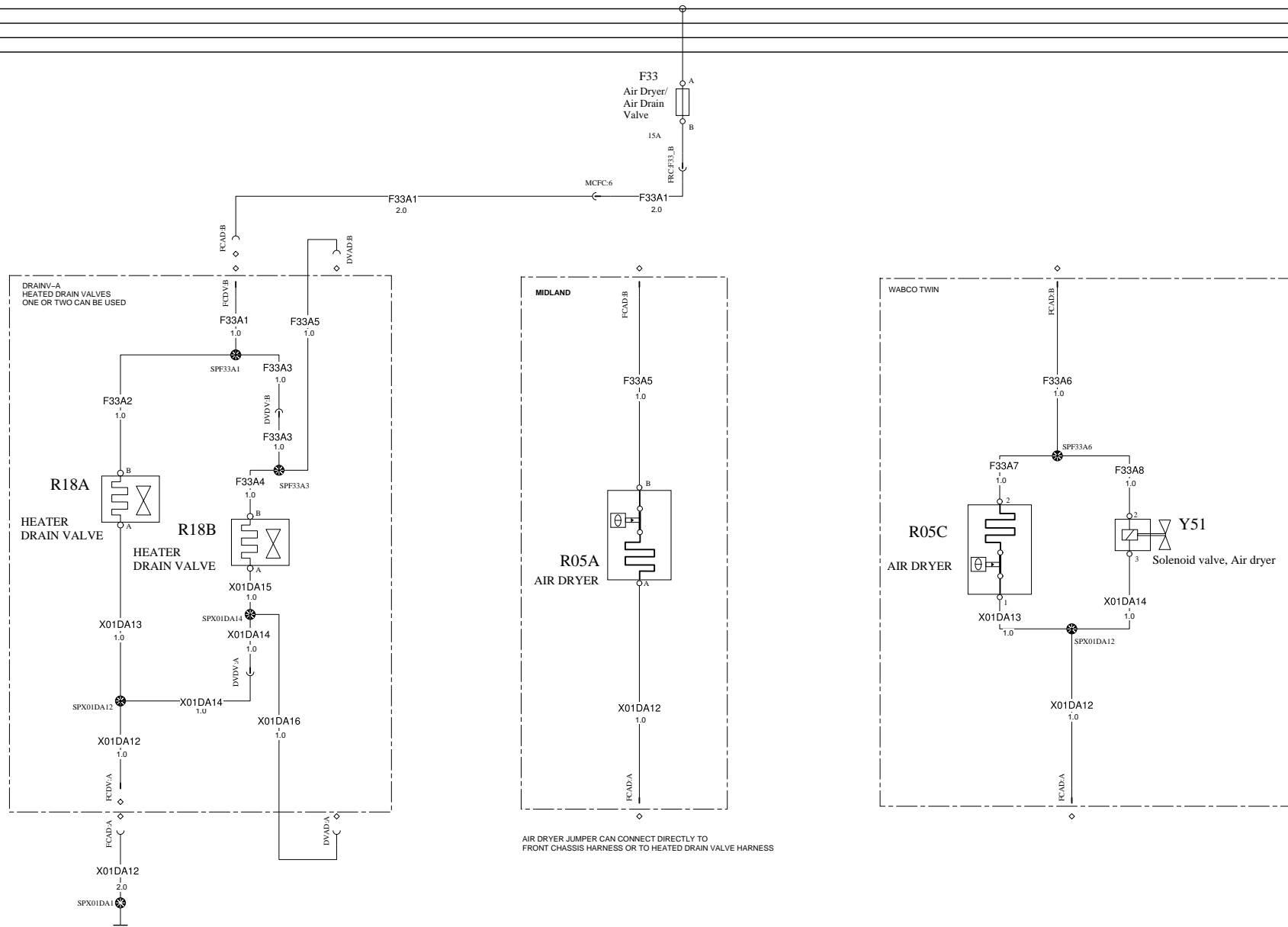
VOLVO Volvo 3P	Document title WIRING DIAGRAM	Document No 20758328	Issue 07	Volume 01	Page 35(80)
	Document type PRODUCT SCHEMATIC				

AIR DRYER/HEATED DRAIN VALVE

WIRING DIAGRAM : FA

BATT
IGN
DR
ACC
141

BATT
IGN
DR
ACC
141



Document title
WIRING DIAGRAM

Document type
PRODUCT SCHEMATIC

Document No

20758328

Issue

07

Volume

01

Page

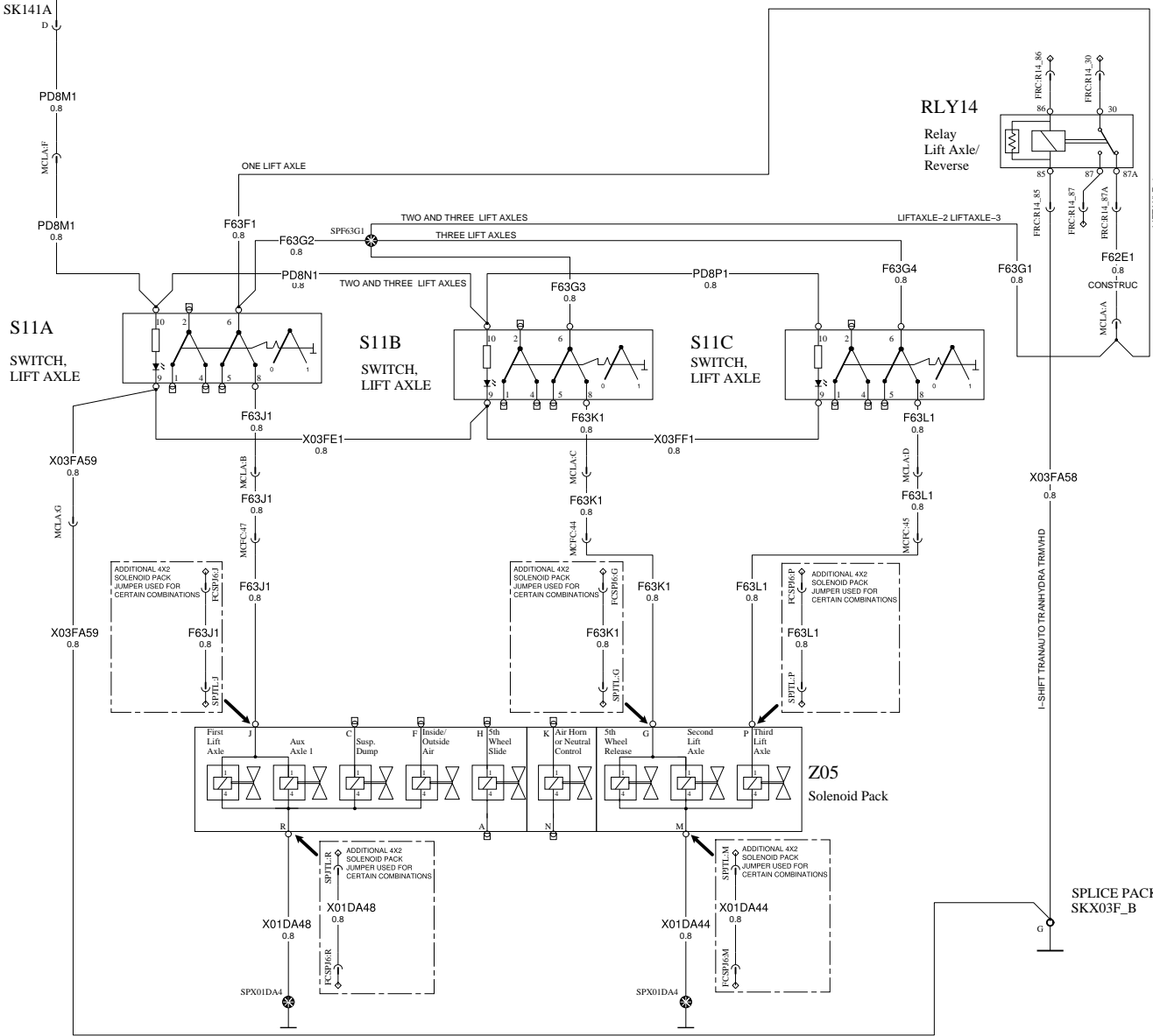
36(80)

LIFT AXLES VHD

WIRING DIAGRAM : FB

BATT
IGN
DR
ACC
141

BATT
IGN
DR
ACC
141



Document title
WIRING DIAGRAM

Document type
PRODUCT SCHEMATIC

Document No

20758328

Issue

07

Volume

01

Page

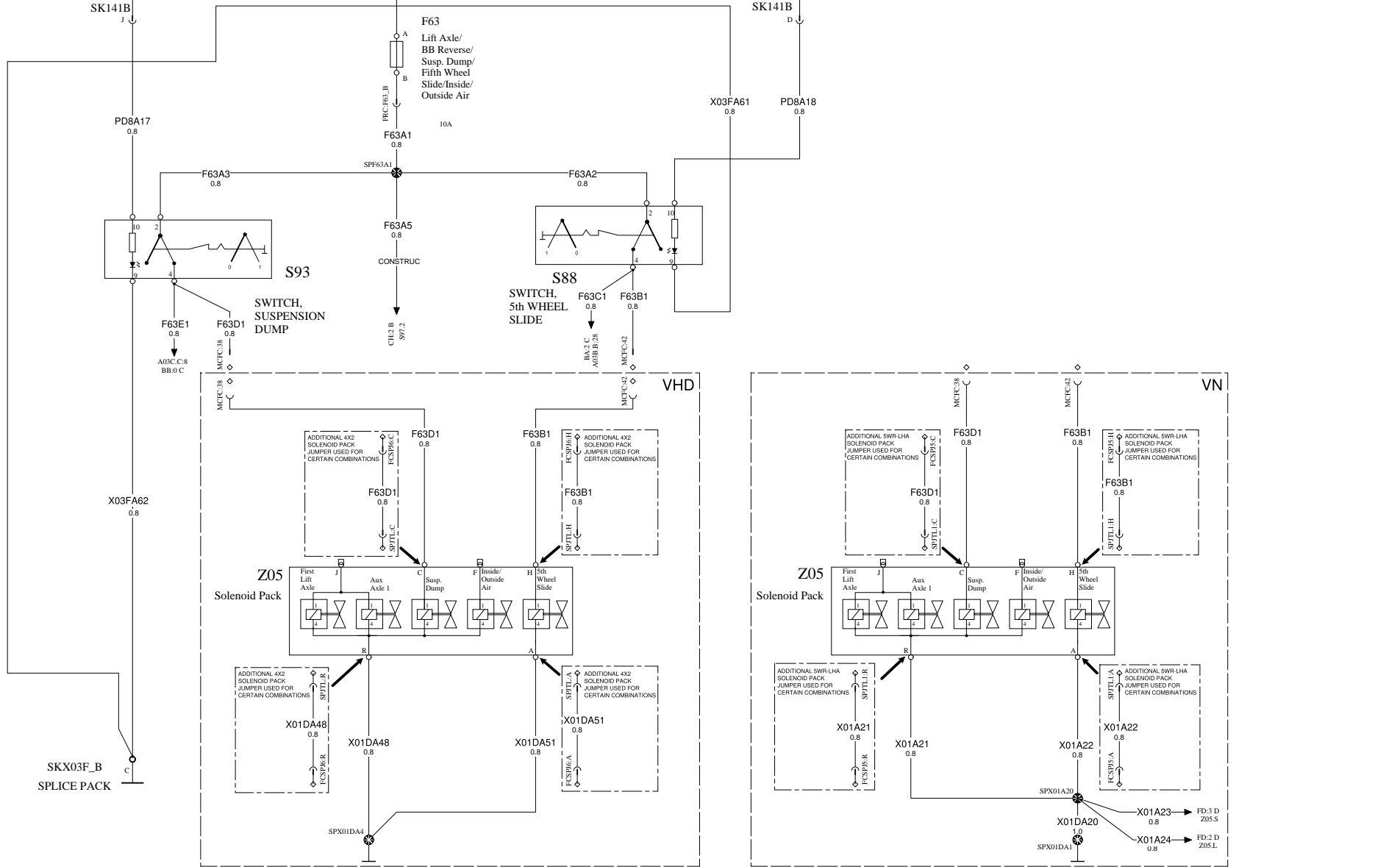
37(80)

SUSPENSION DUMP, 5th WHEEL SLIDE

WIRING DIAGRAM : FC

BATT
IGN
DR
ACC
141

BATT
IGN
DR
ACC
141



VOLVO
Volvo 3P

Document title
WIRING DIAGRAM

Document type
PRODUCT SCHEMATIC

Document No
20758328

Issue
07

Volume
01

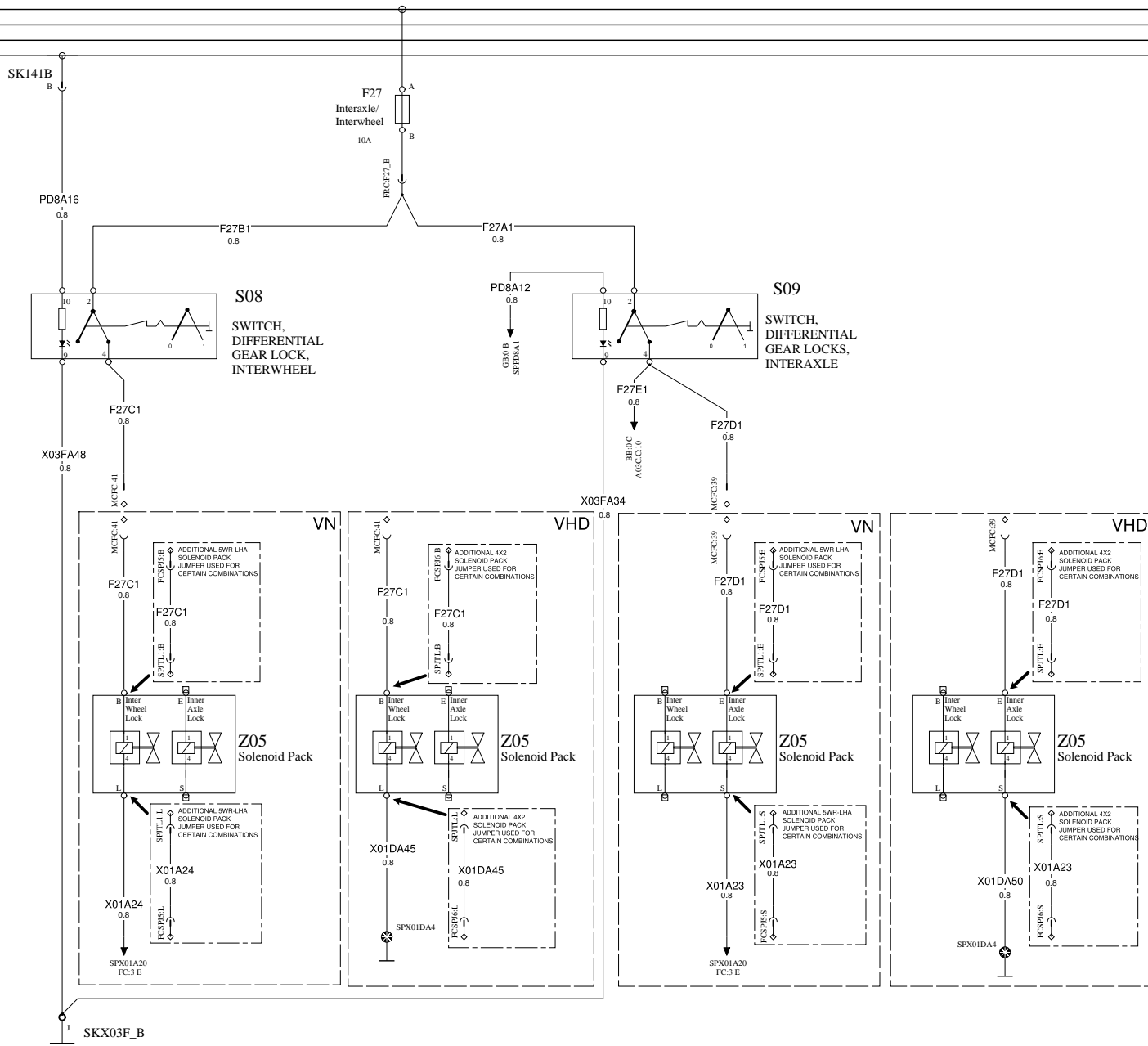
Page
38(80)

DIFFERENTIAL LOCK VN/VHD

WIRING DIAGRAM : FD

BATT
IGN
DR
ACC
141

BATT
IGN
DR
ACC
141



VOLVO
Volvo 3P

Document title
WIRING DIAGRAM

Document type
PRODUCT SCHEMATIC

Document No

20758328

Issue

07

Volume

01

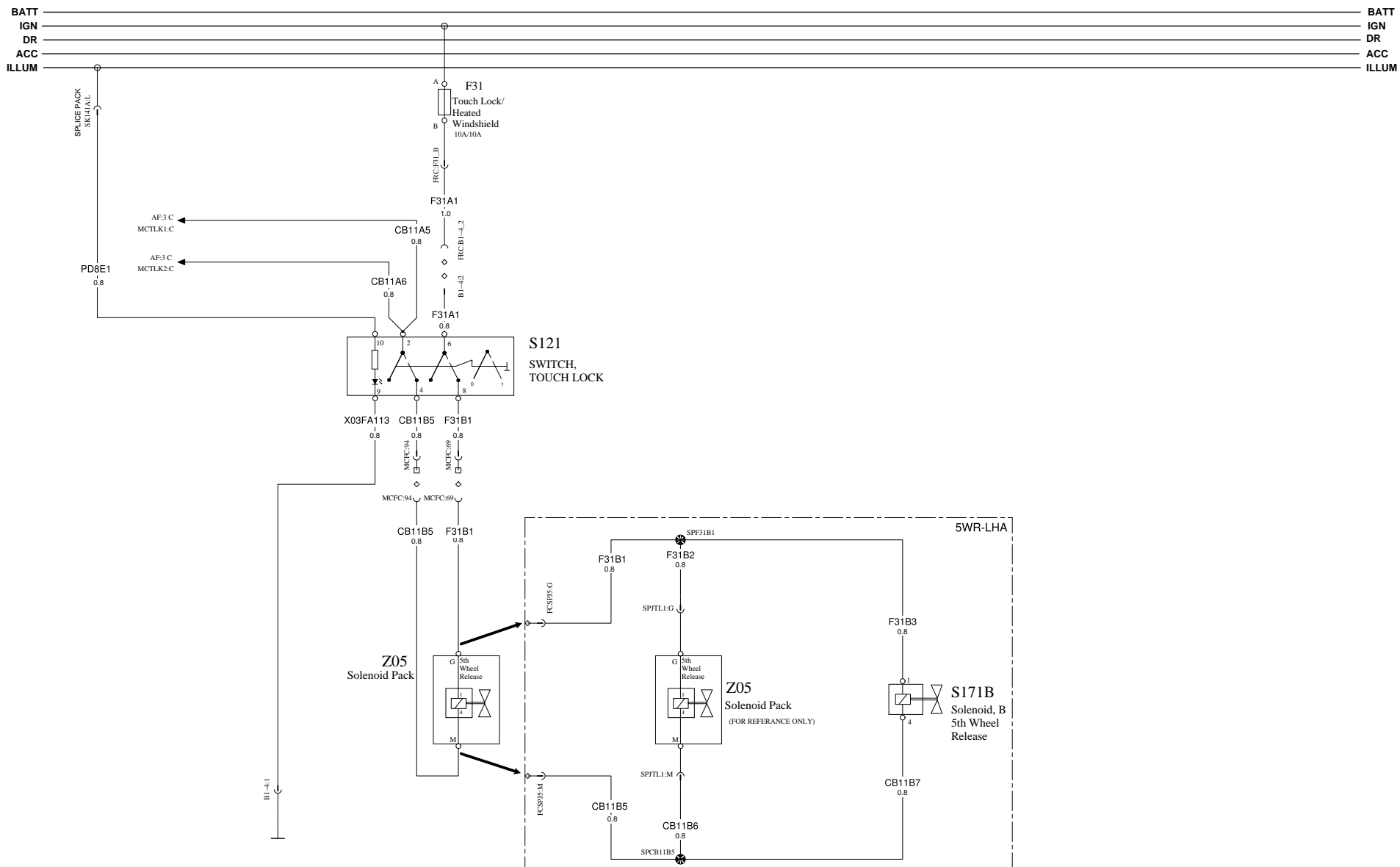
Page

39(80)

5TH WHEEL TOUCH LOCK

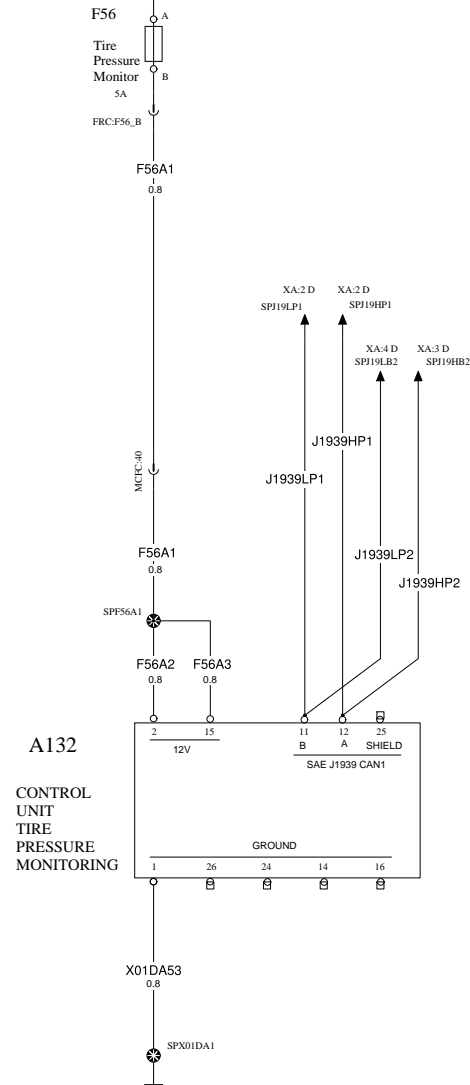
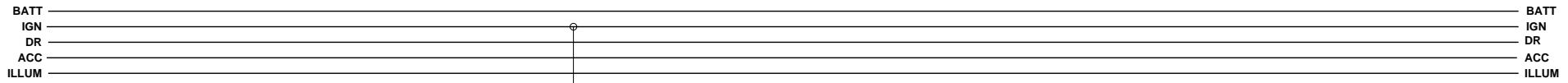
WIRING DIAGRAM

: FF



TIRE PRESSURE MONITORING SYSTEM

WIRING DIAGRAM : FG



Document title
WIRING DIAGRAM

Document type
PRODUCT SCHEMATIC

Document No

20758328

Issue

07

Volume

01

Page

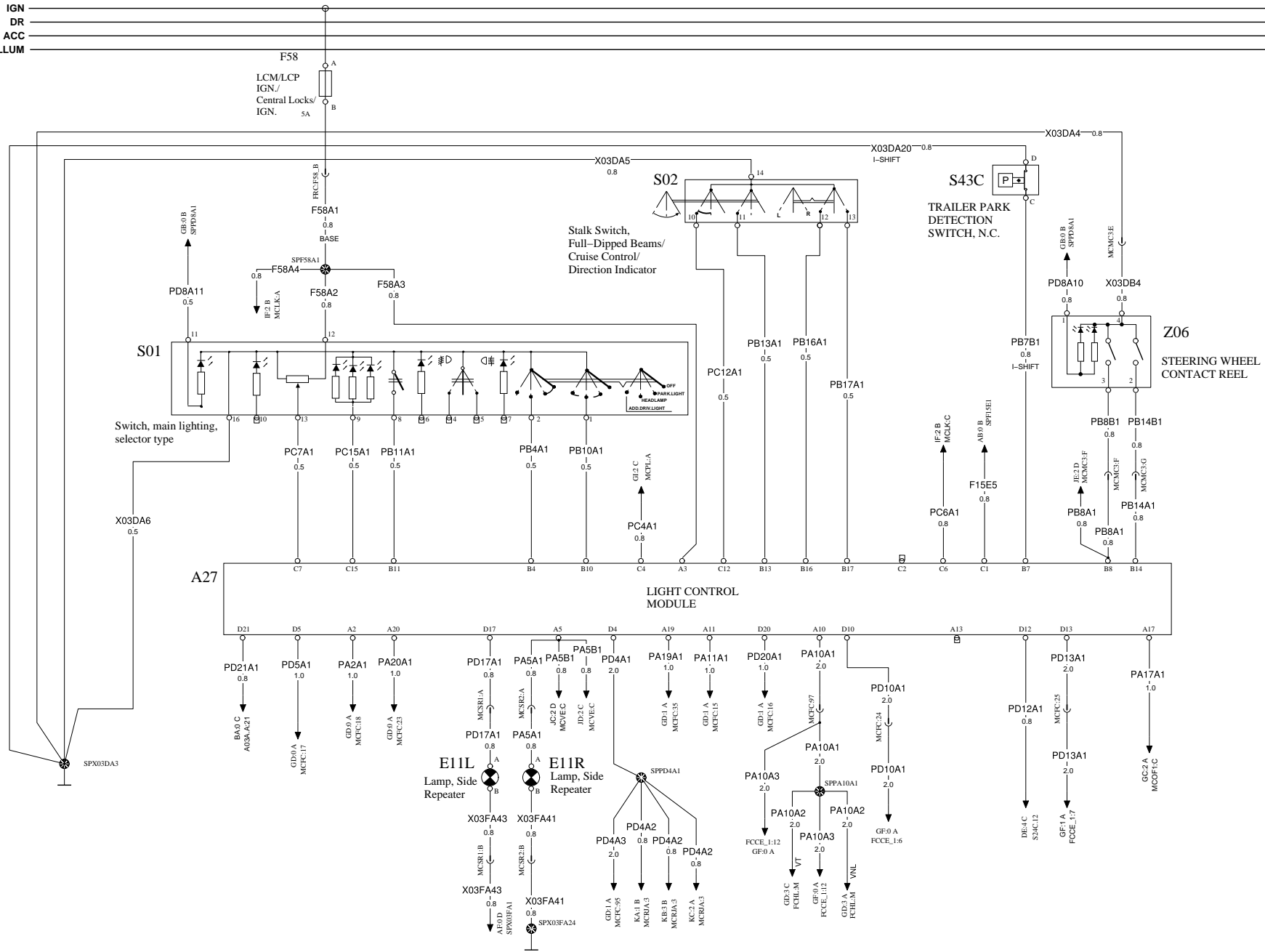
41(80)

LIGHTING CONTROL 1/2

WIRING DIAGRAM : GA

BATT
IGN
DR
ACC
ILLUM

BATT
IGN
DR
ACC
ILLUM



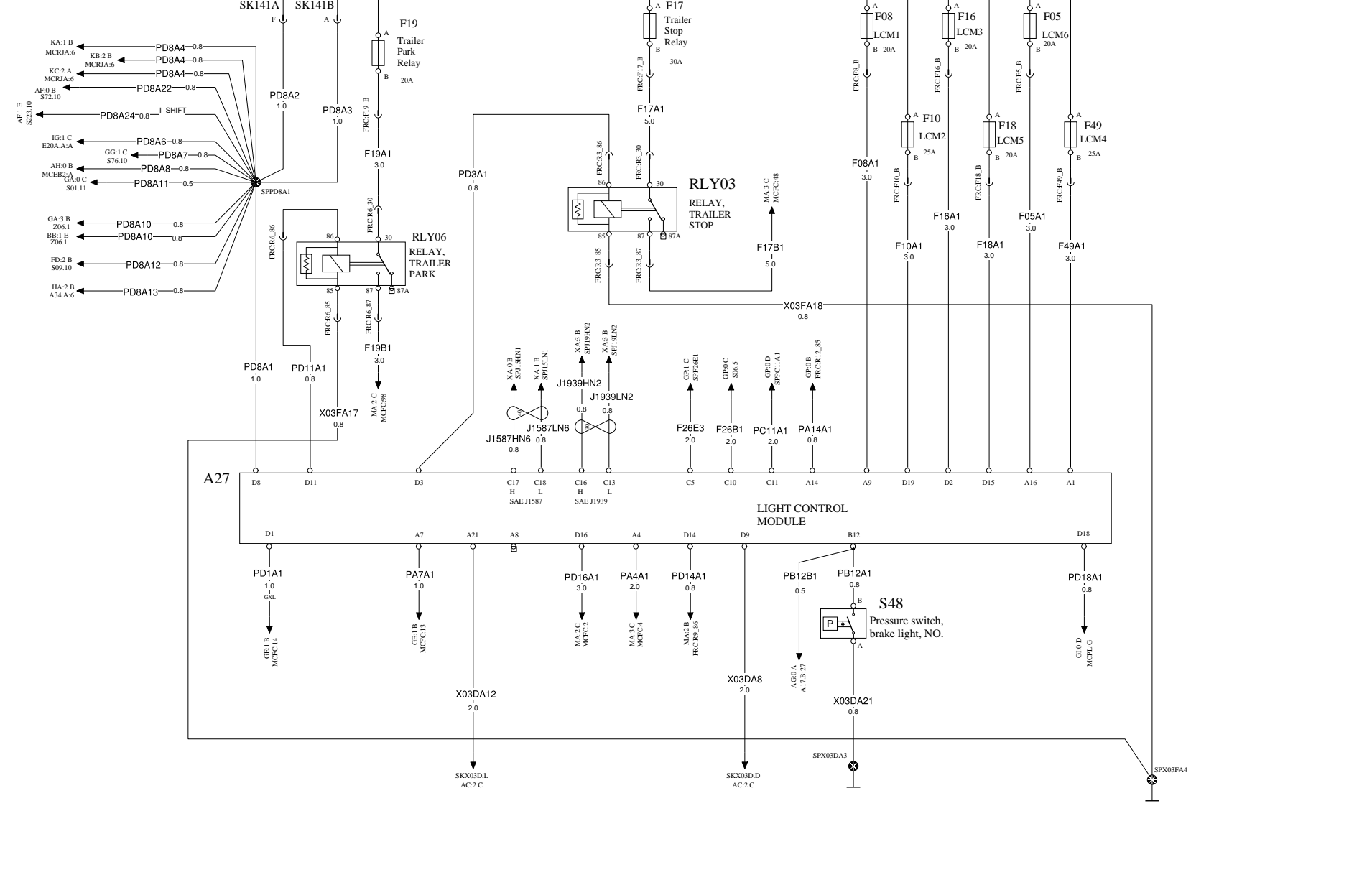
Document title
WIRING DIAGRAM

Document type
PRODUCT SCHEMATIC

Document No	Issue	Volume	Page
20758328	07	01	42(80)

LIGHTING CONTROL 2/2

WIRING DIAGRAM : GB



Document title
WIRING DIAGRAM

Document type
PRODUCT SCHEMATIC

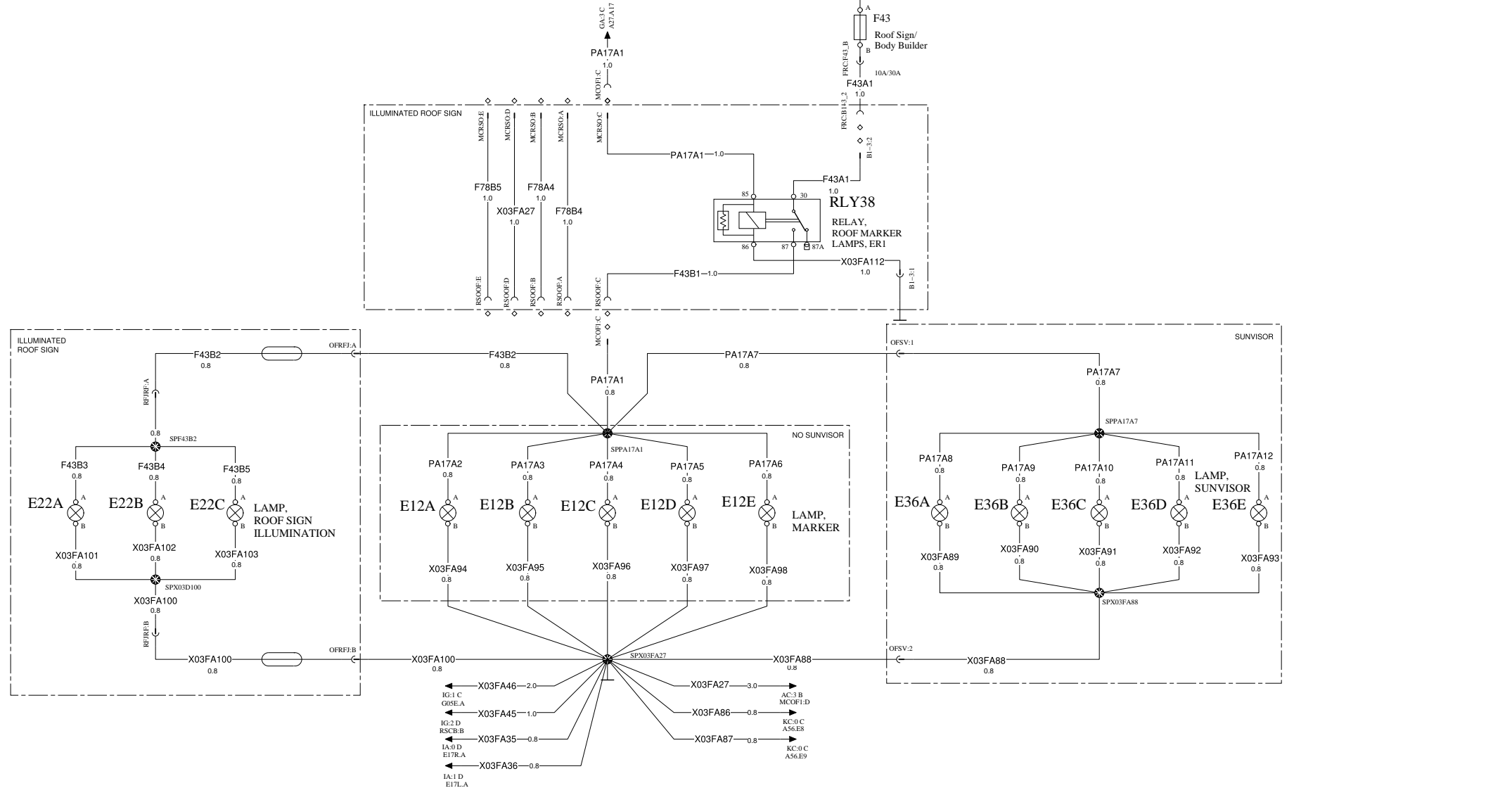
Document No	Issue	Volume	Page
20758328	07	01	43(80)

MARKER LAMPS

WIRING DIAGRAM : GC

BATT
 BATT / LVD
 IGN
 DR
 ACC
 ILLUM

BATT
 BATT / LVD
 IGN
 DR
 ACC
 ILLUM



Document title
WIRING DIAGRAM

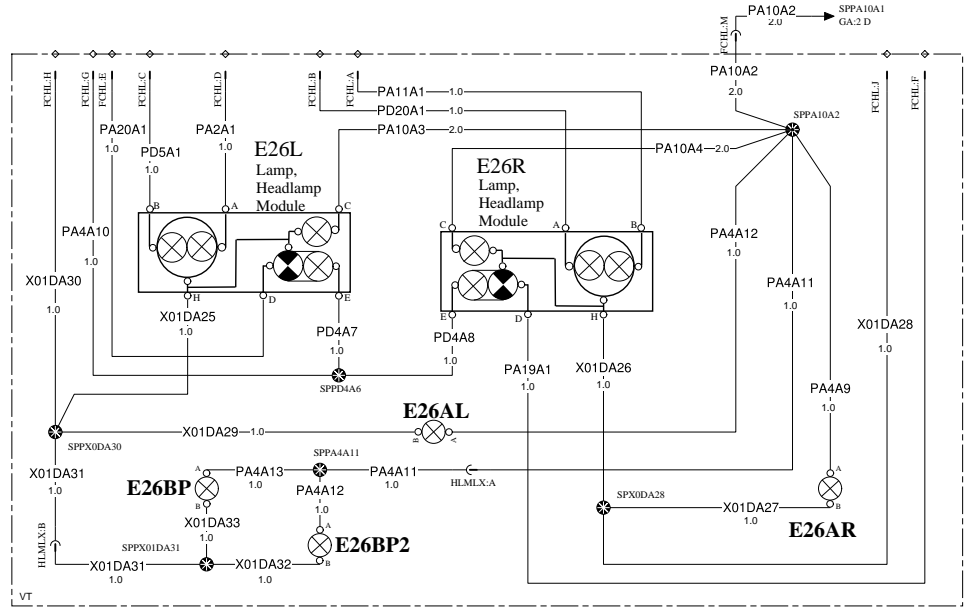
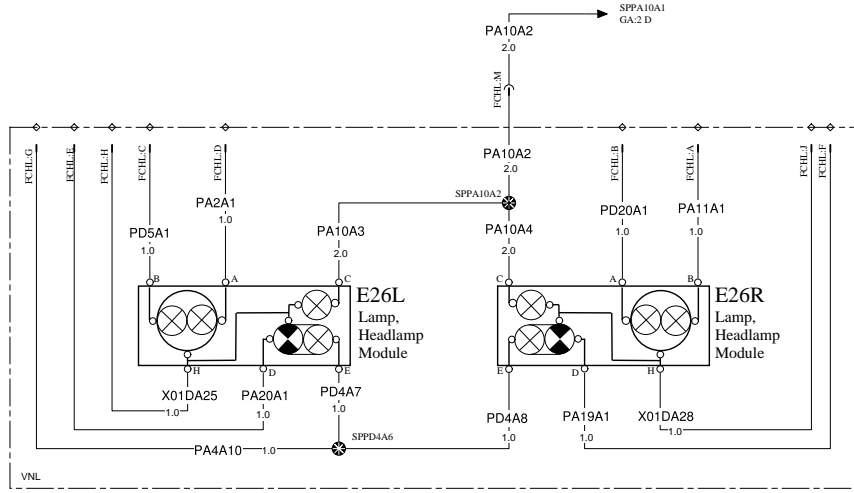
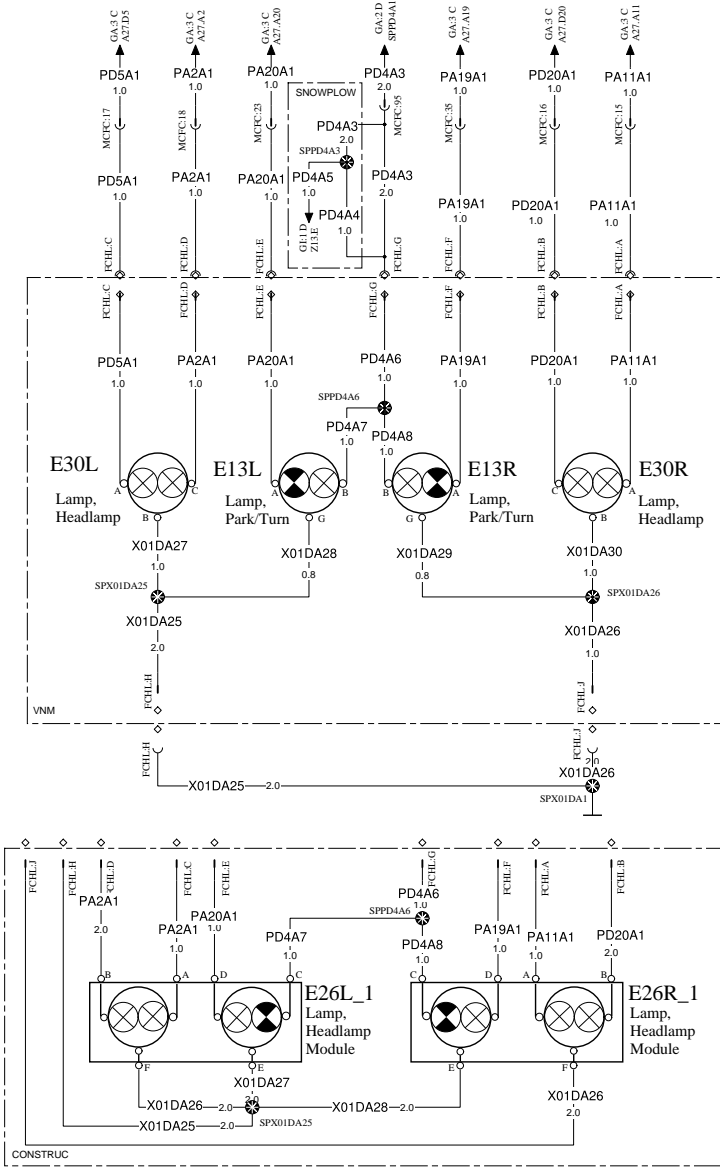
Document type
PRODUCT SCHEMATIC

Document No	Issue	Volume	Page
20758328	07	01	44(80)

DRIVING/SIGNAL LIGHTS

WIRING DIAGRAM : GD

BATT _____ BATT
 IGN _____ IGN
 DR _____ DR
 ACC _____ ACC
 141 _____ 141



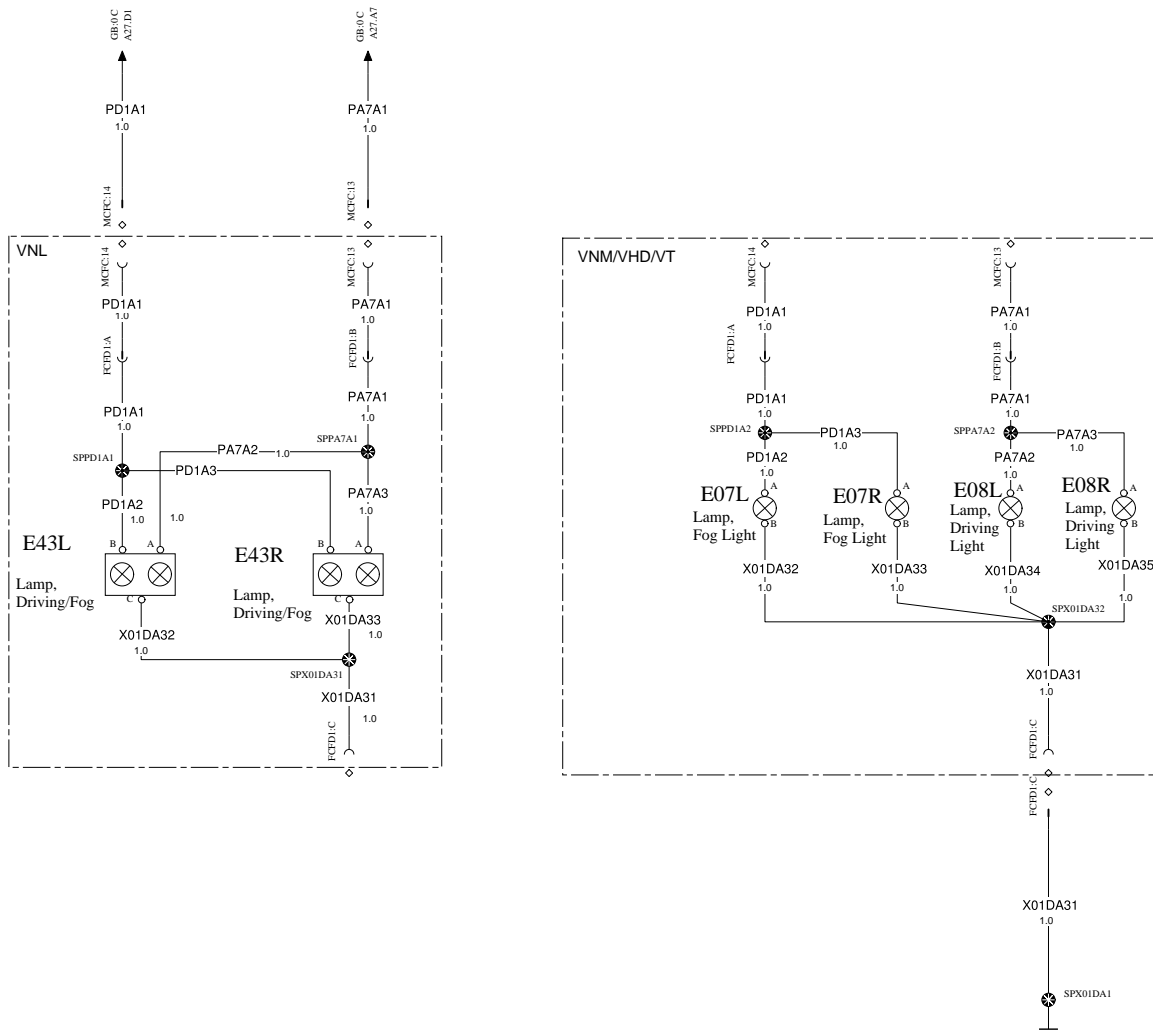
Document title
WIRING DIAGRAM
 Document type
PRODUCT SCHEMATIC

Document No	Issue	Volume	Page
20758328	07	01	45(80)

DRIVING/FOG LIGHTS

WIRING DIAGRAM : GE

BATT _____ BATT
 IGN _____ IGN
 DR _____ DR
 ACC _____ ACC
 141 _____ 141



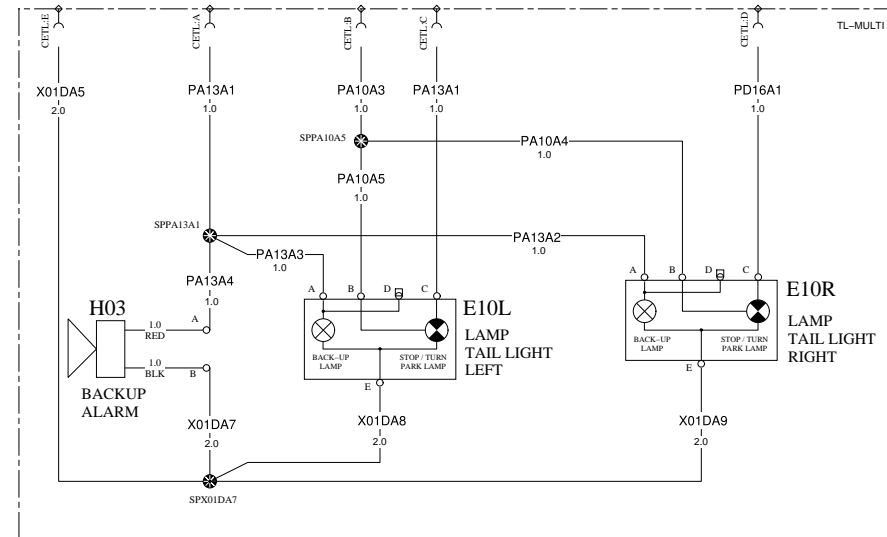
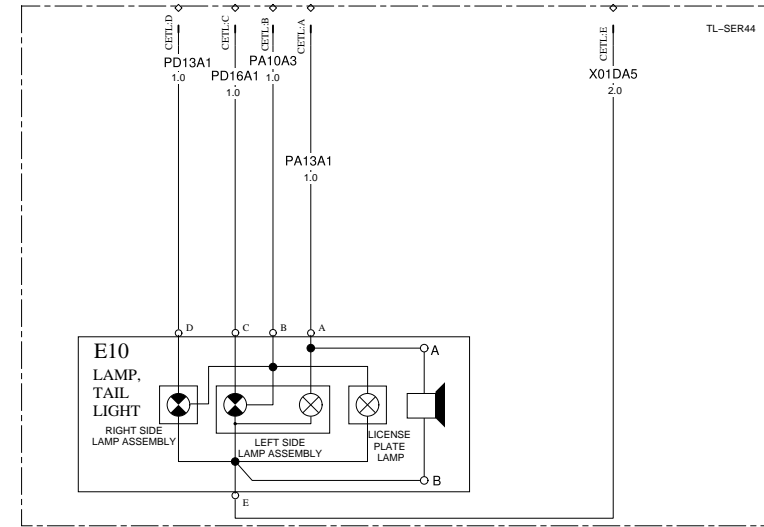
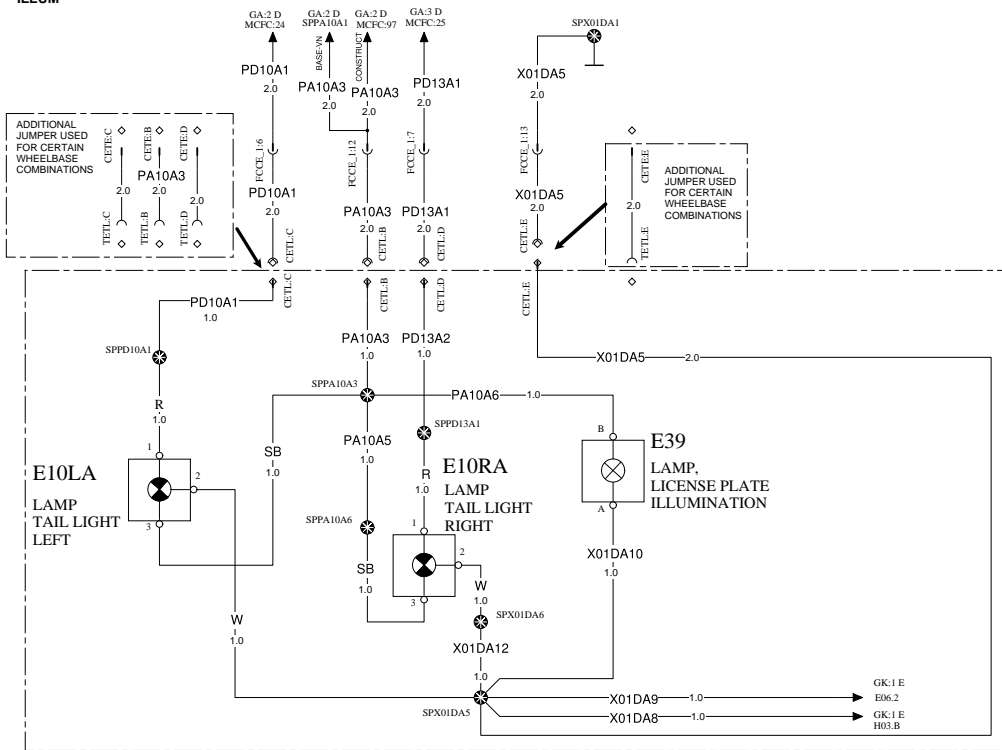
TAIL LAMPS W/ALARM 2.0

WIRING DIAGRAM : GF

BATT
IGN
DR
ACC
ILLUM

was
1.0 size wire

BATT
IGN
DR
ACC
ILLUM



VOLVO
Volvo 3P

Document title
WIRING DIAGRAM

Document type
PRODUCT SCHEMATIC

Document No
20758328

Issue
07

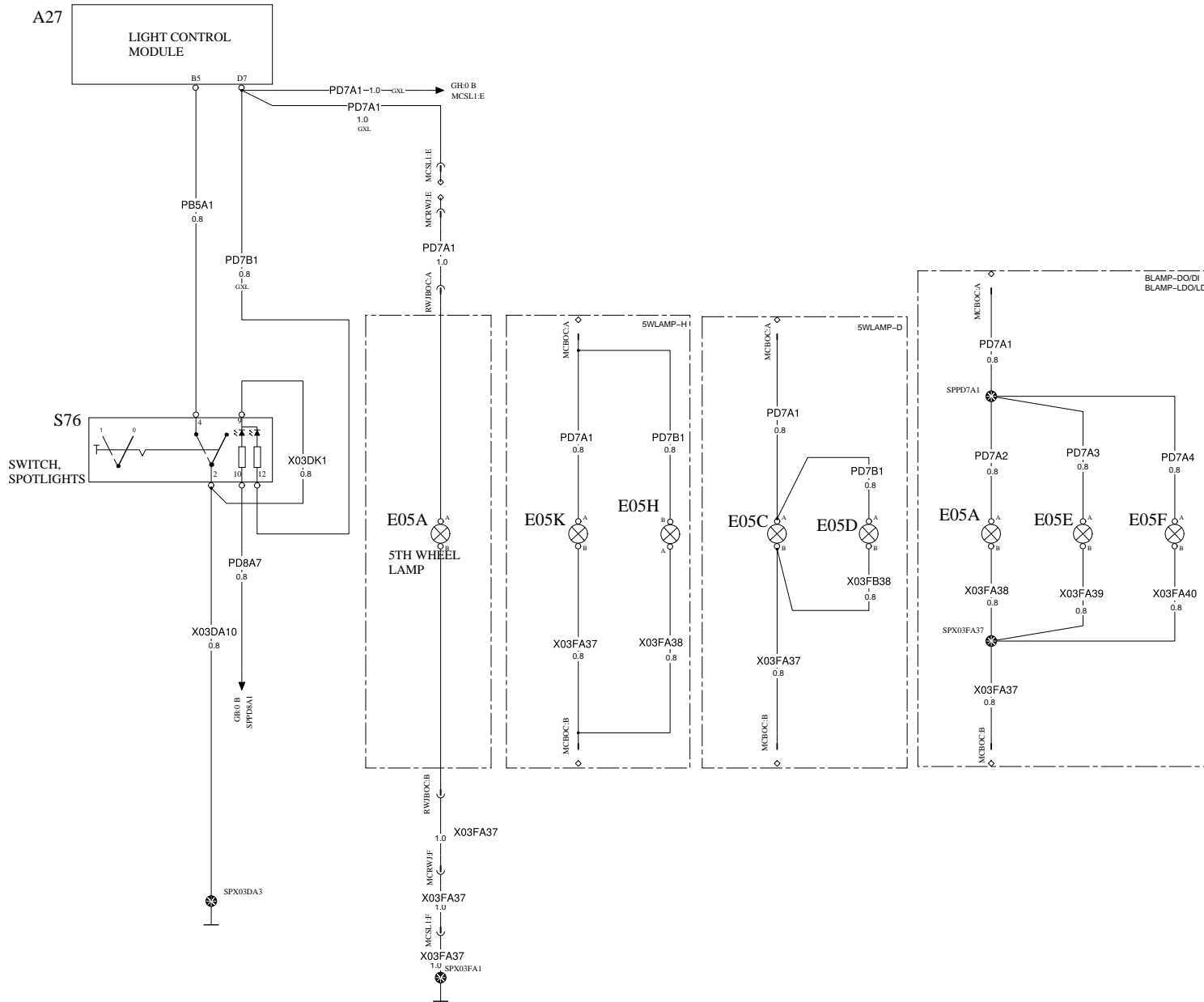
Volume
01

Page
47(80)

BACK OF CAB LAMPS L1

WIRING DIAGRAM : GG

BATT _____ BATT
 IGN _____ IGN
 DR _____ DR
 ACC _____ ACC
 141 _____ 141

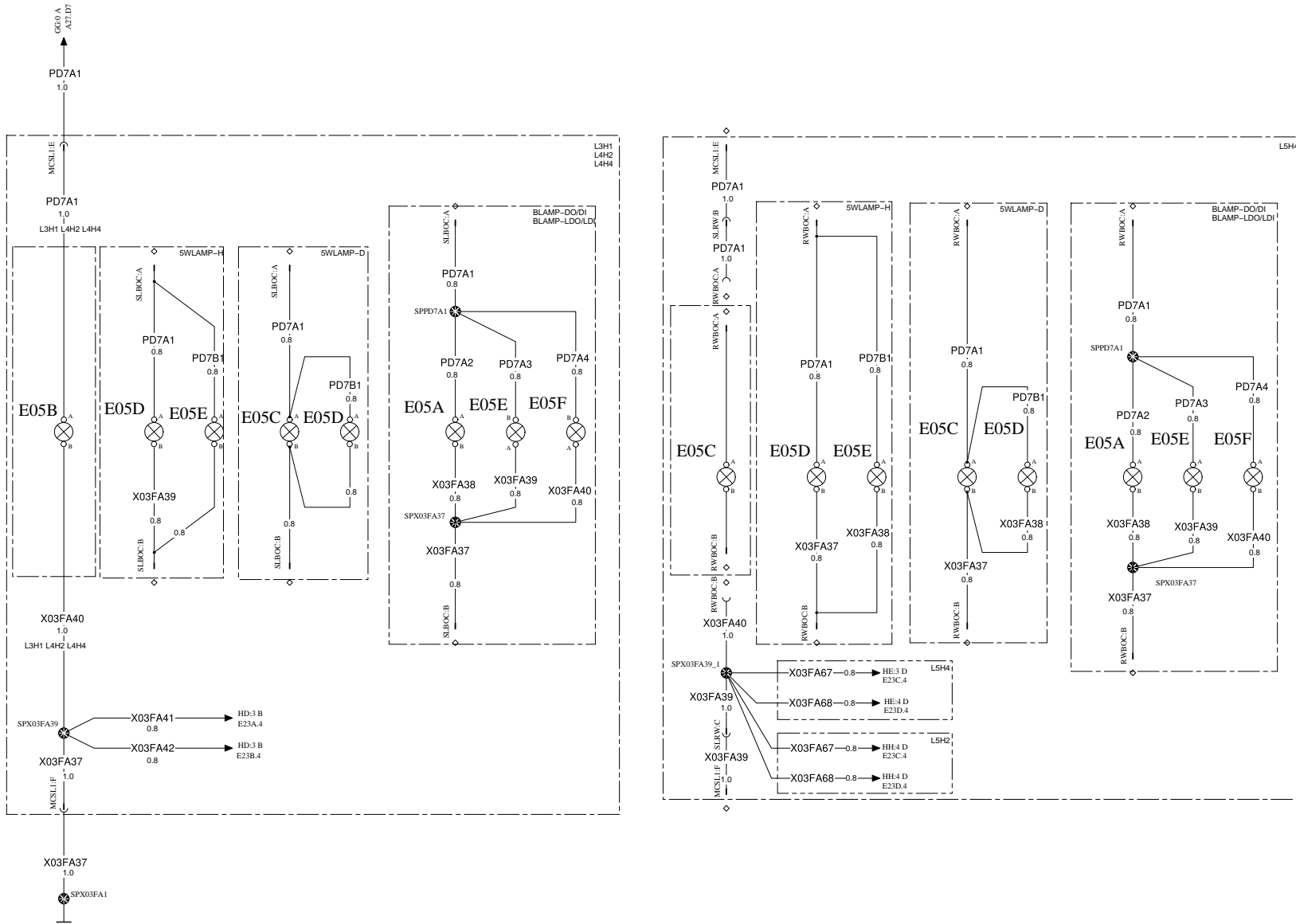


<p>Volvo 3P</p>	Document title WIRING DIAGRAM	Document No 20758328	Issue	Volume	Page
	Document type PRODUCT SCHEMATIC		07	01	48(80)

BACK OF CAB LAMPS L3-L5

WIRING DIAGRAM : GH

BATT _____ BATT
 IGN _____ IGN
 DR _____ DR
 ACC _____ ACC
 ILLUM _____ ILLUM



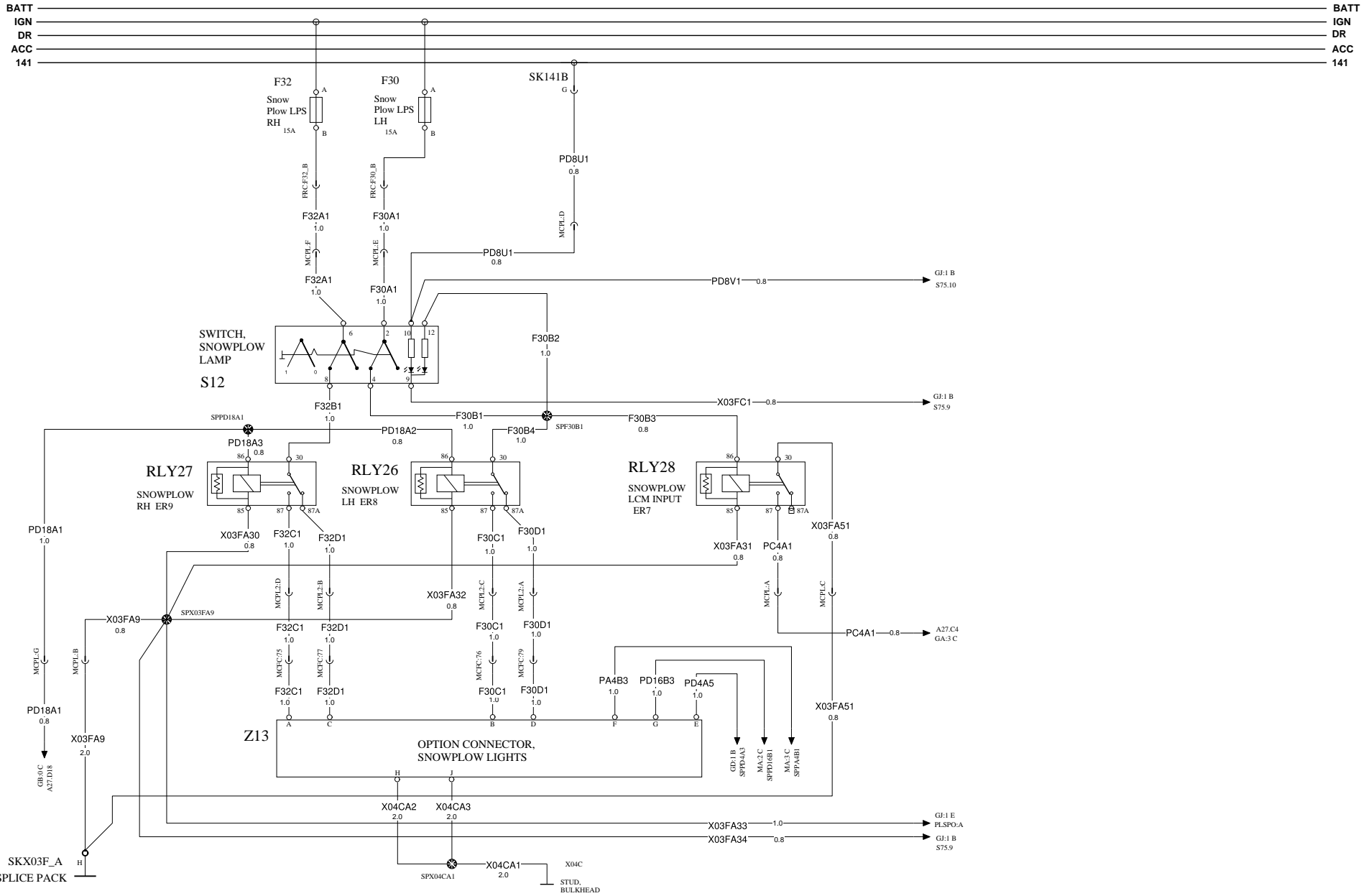
Document title
 WIRING DIAGRAM
 Document type
 PRODUCT SCHEMATIC

Document No
 20758328

Issue
 07
 Volume
 01
 Page
 49(80)

SNOW PLOW & BEACON LAMPS

WIRING DIAGRAM : GI



VOLVO
Volvo 3P

Document title
WIRING DIAGRAM
Document type
PRODUCT SCHEMATIC

Document No

20758328

Issue

07

Volume

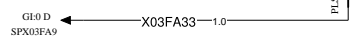
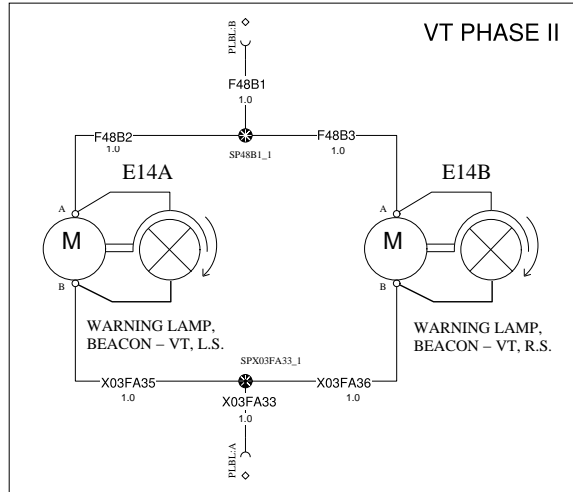
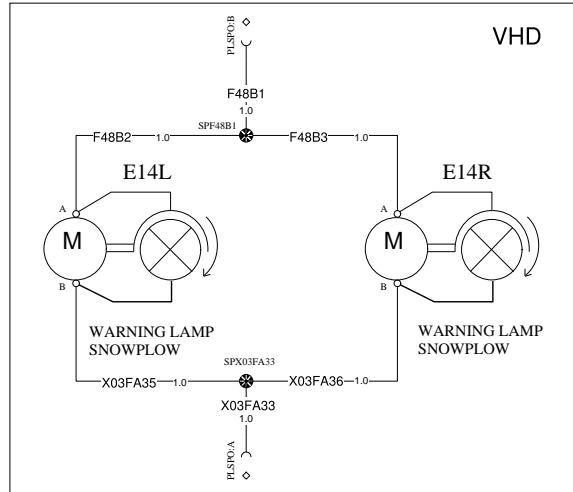
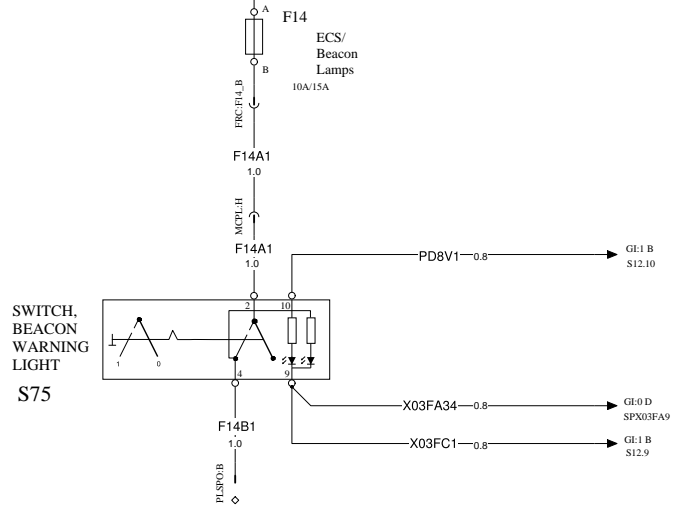
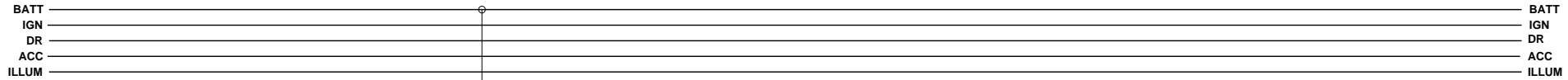
01

Page

50(80)

BEACON LAMPS

WIRING DIAGRAM : GJ

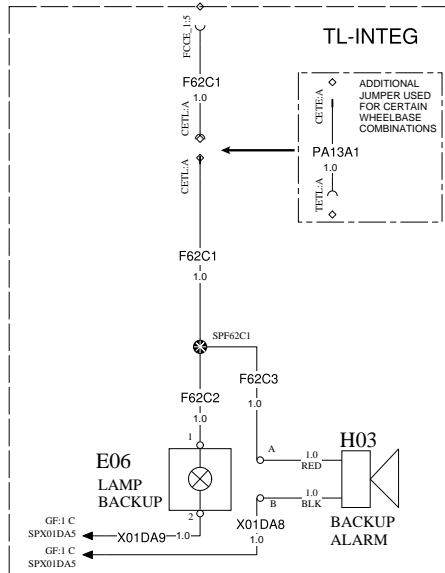
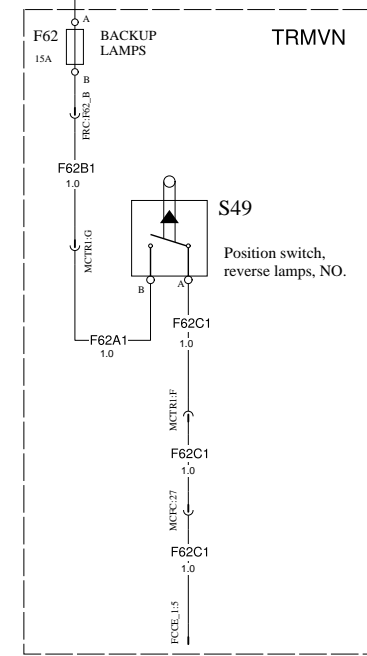
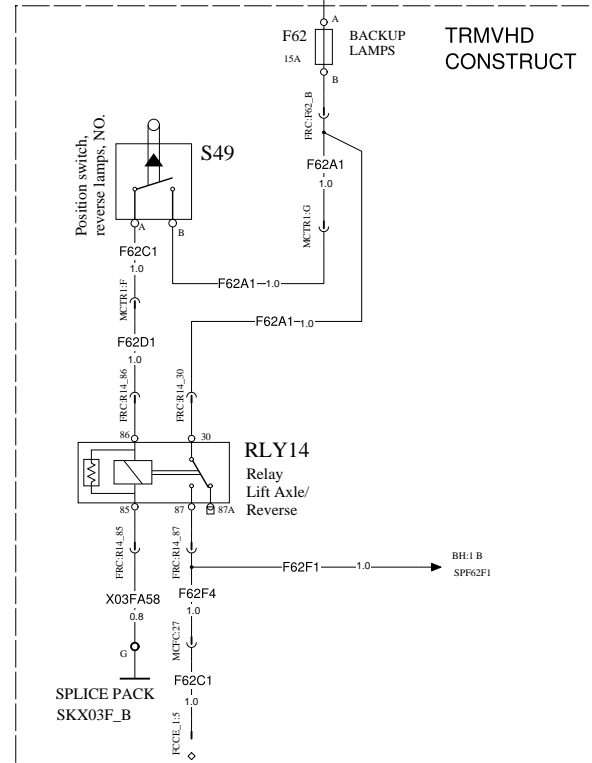
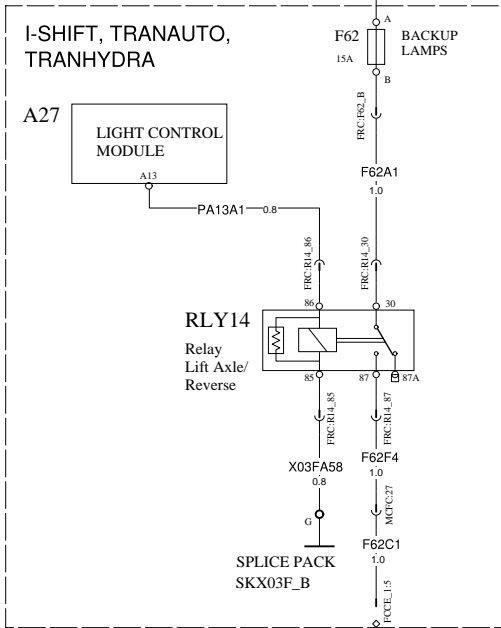
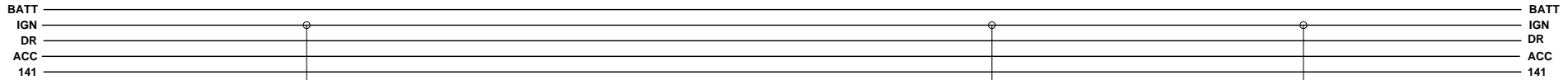


Document title WIRING DIAGRAM
Document type PRODUCT SCHEMATIC

Document No	Issue	Volume	Page
20758328	07	01	51(80)

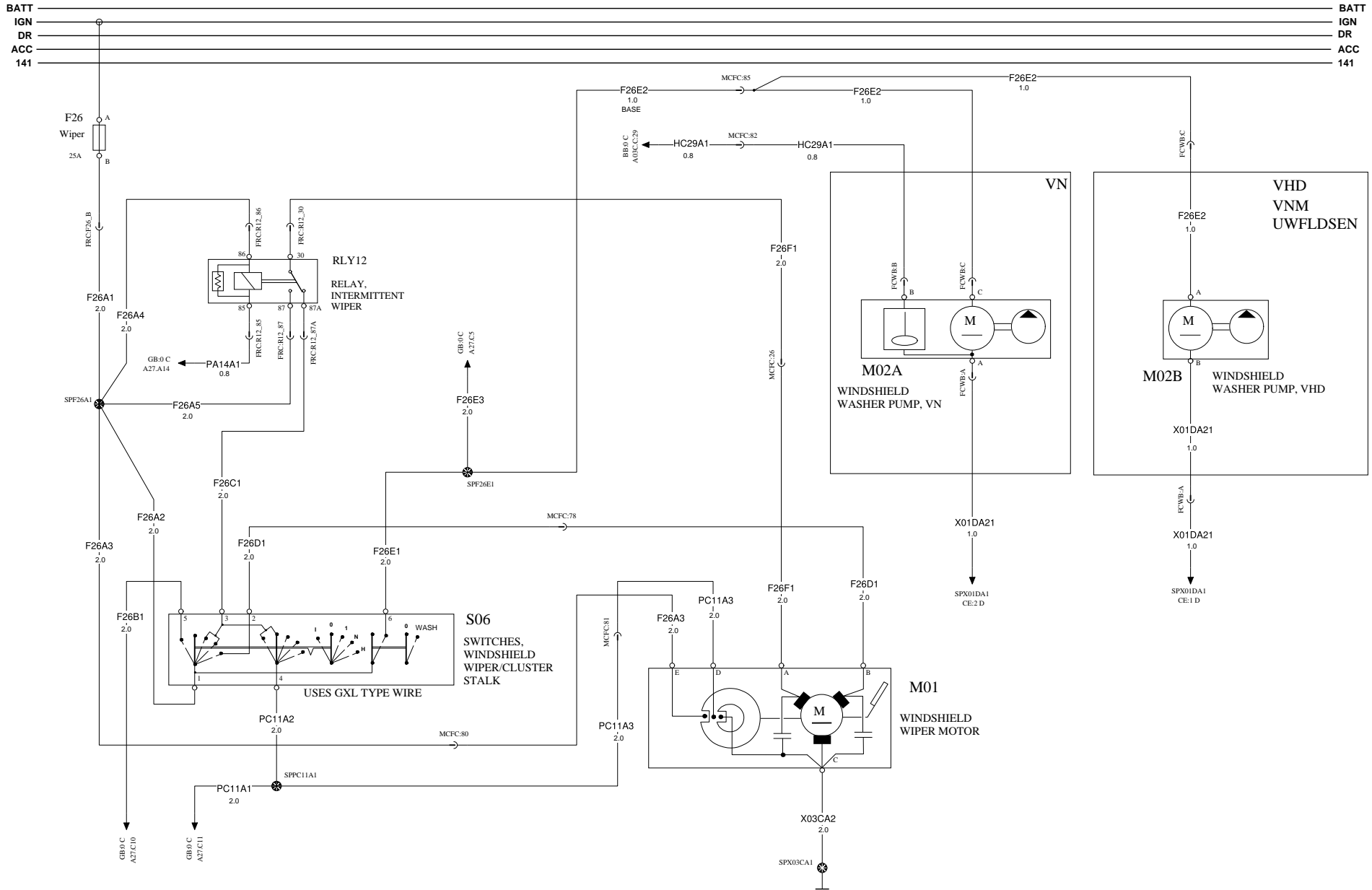
BACKUP LAMPS WITH ALARM

WIRING DIAGRAM : GK



WIPER WASHER

WIRING DIAGRAM : GP



VOLVO
Volvo 3P

Document title
WIRING DIAGRAM

Document type
PRODUCT SCHEMATIC

Document No
20758328

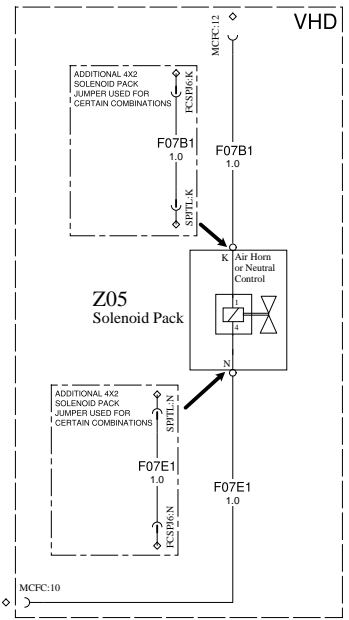
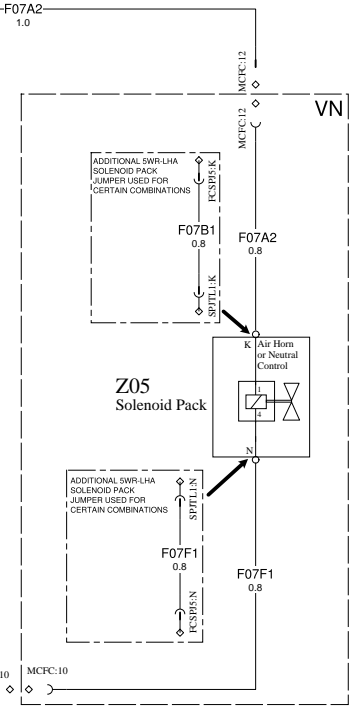
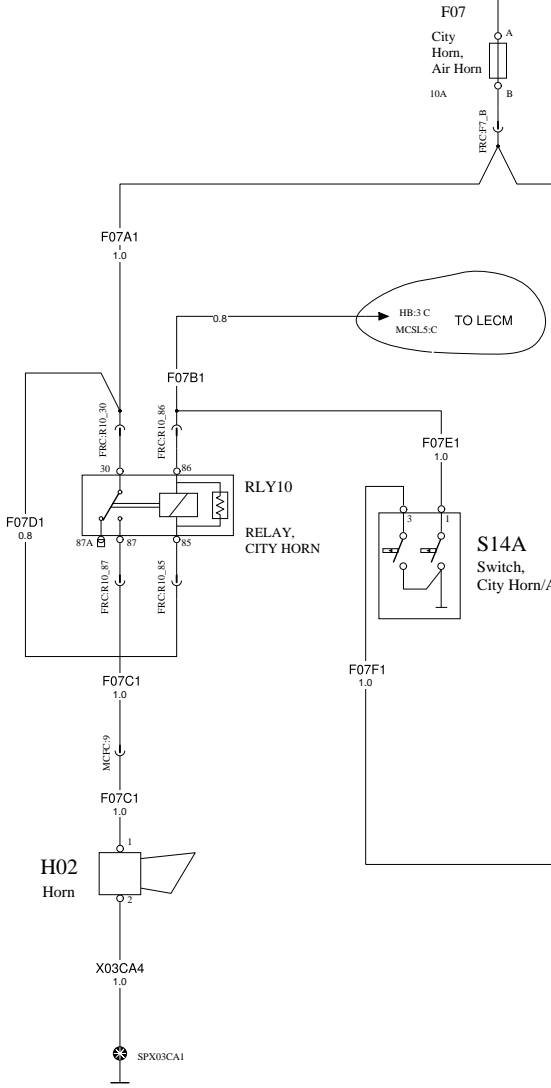
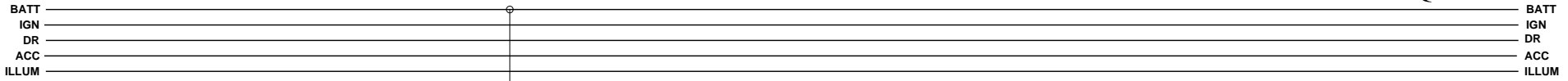
Issue
07

Volume
01

Page
53(80)

HORN

WIRING DIAGRAM : GQ



VOLVO
Volvo 3P

Document title
WIRING DIAGRAM

Document type
PRODUCT SCHEMATIC

Document No
20758328

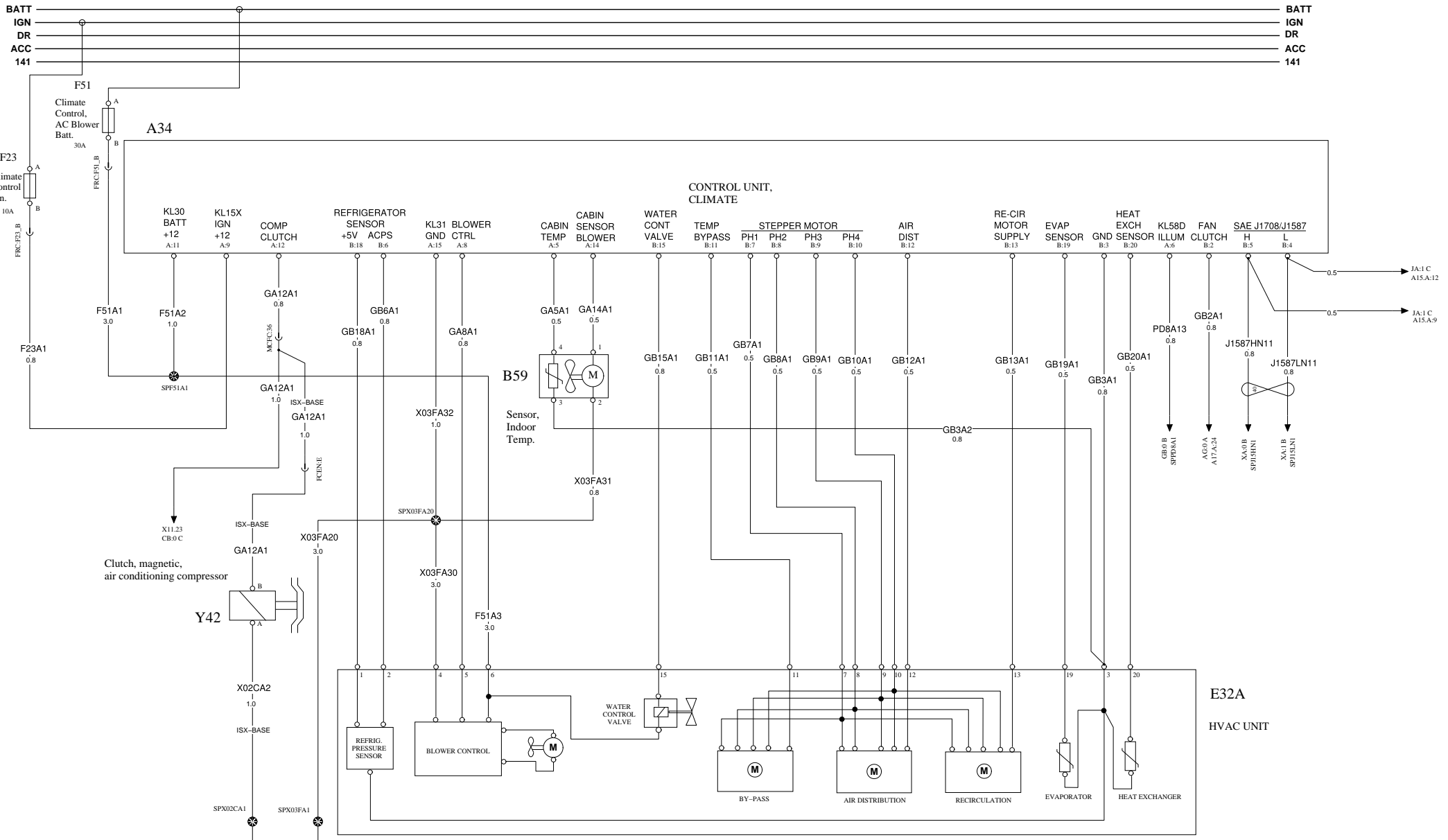
Issue
07

Volume
01

Page
54(80)

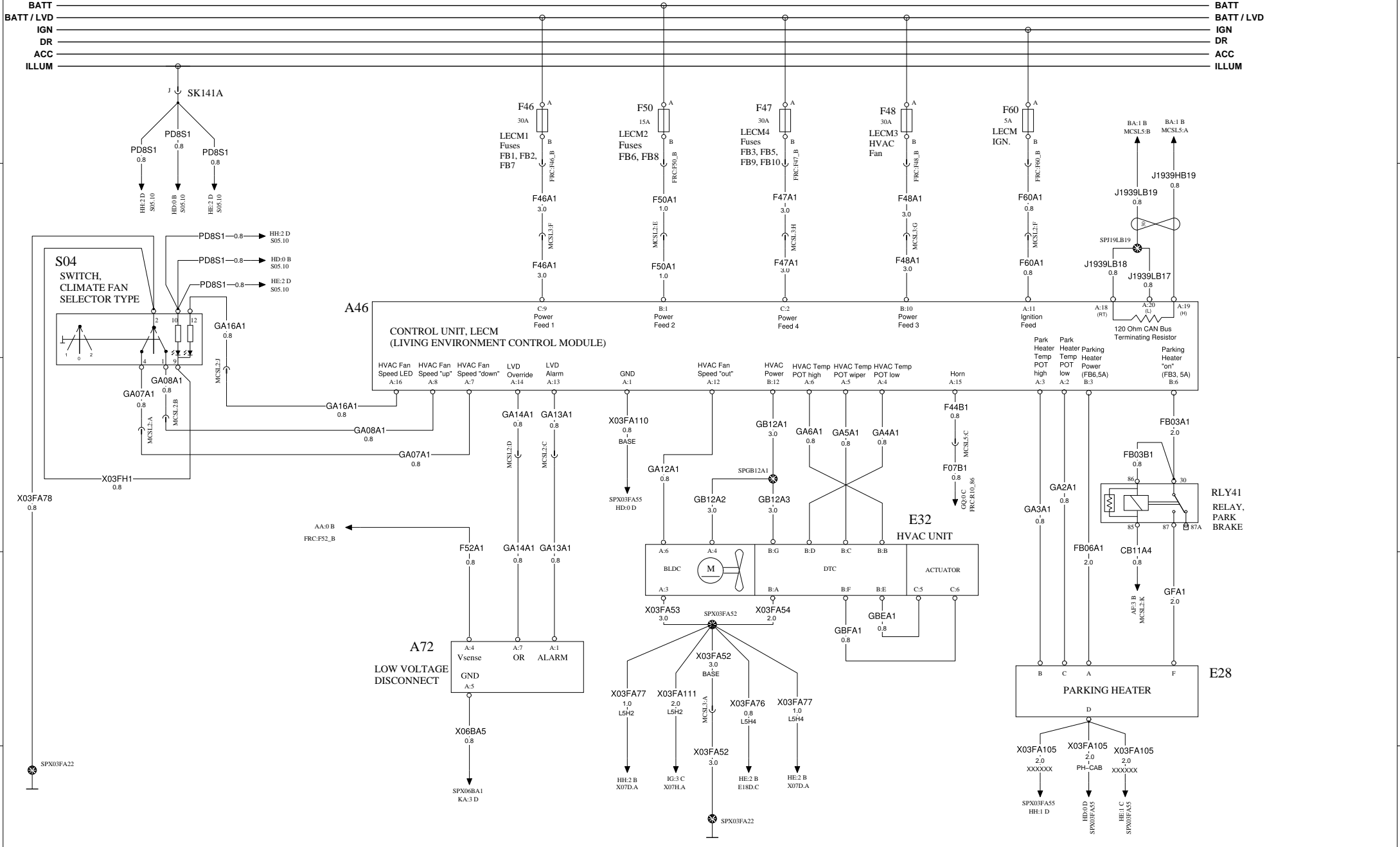
CLIMATE CONTROL

WIRING DIAGRAM : HA



SLEEPER CLIMATE CONTROL W. LECM

WIRING DIAGRAM : HB

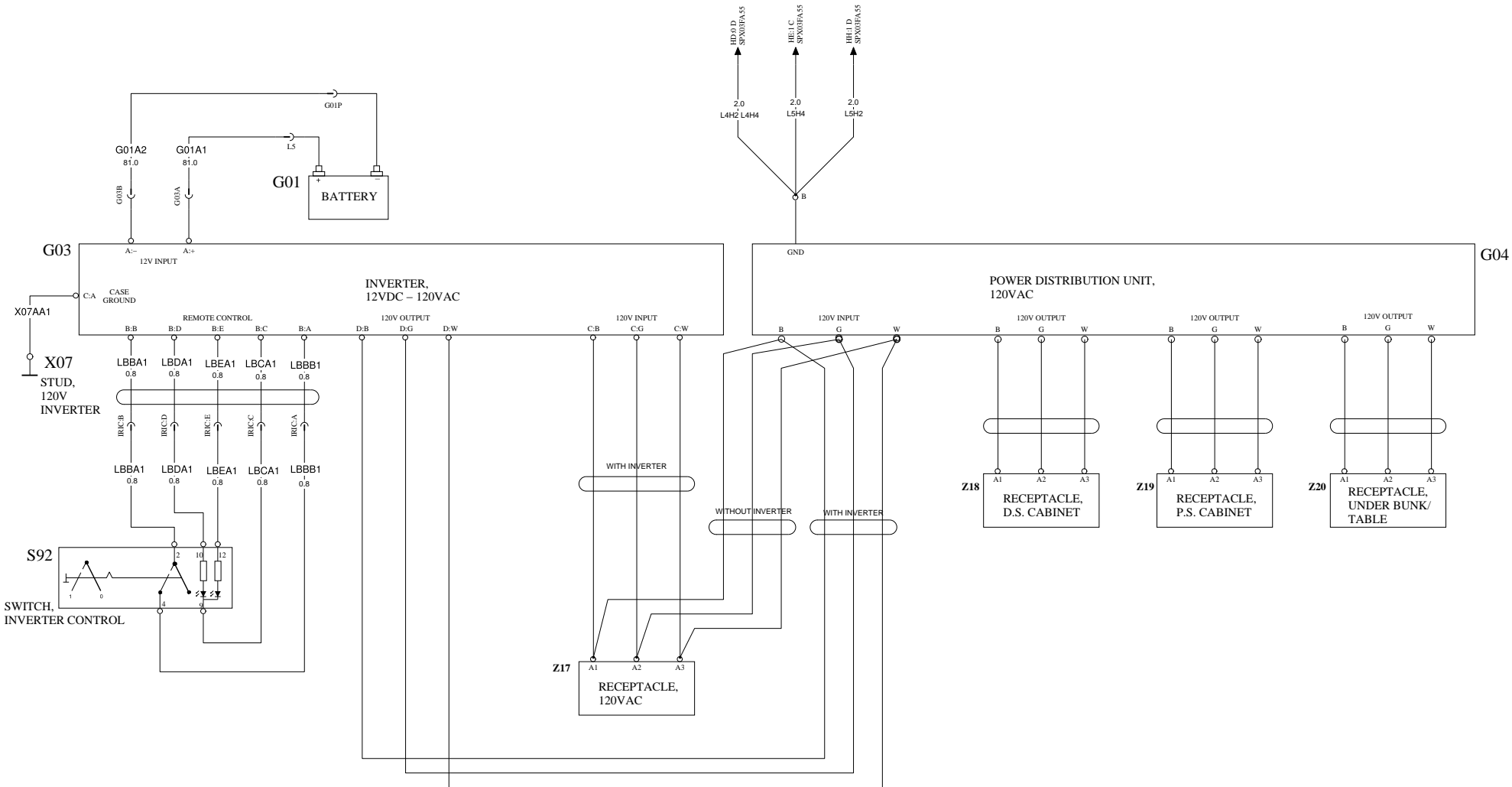


<p>Volvo 3P</p>	Document title WIRING DIAGRAM	Document No 20758328	Issue 07	Volume 01	Page 56(80)
	Document type PRODUCT SCHEMATIC				

SHORE POWER/INVERTER

WIRING DIAGRAM : HC

BATT	_____	BATT
IGN	_____	IGN
DR	_____	DR
ACC	_____	ACC
141	_____	141



VOLVO
Volvo 3P

Document title
WIRING DIAGRAM
Document type
PRODUCT SCHEMATIC

Document No
20758328

Issue
07

Volume
01

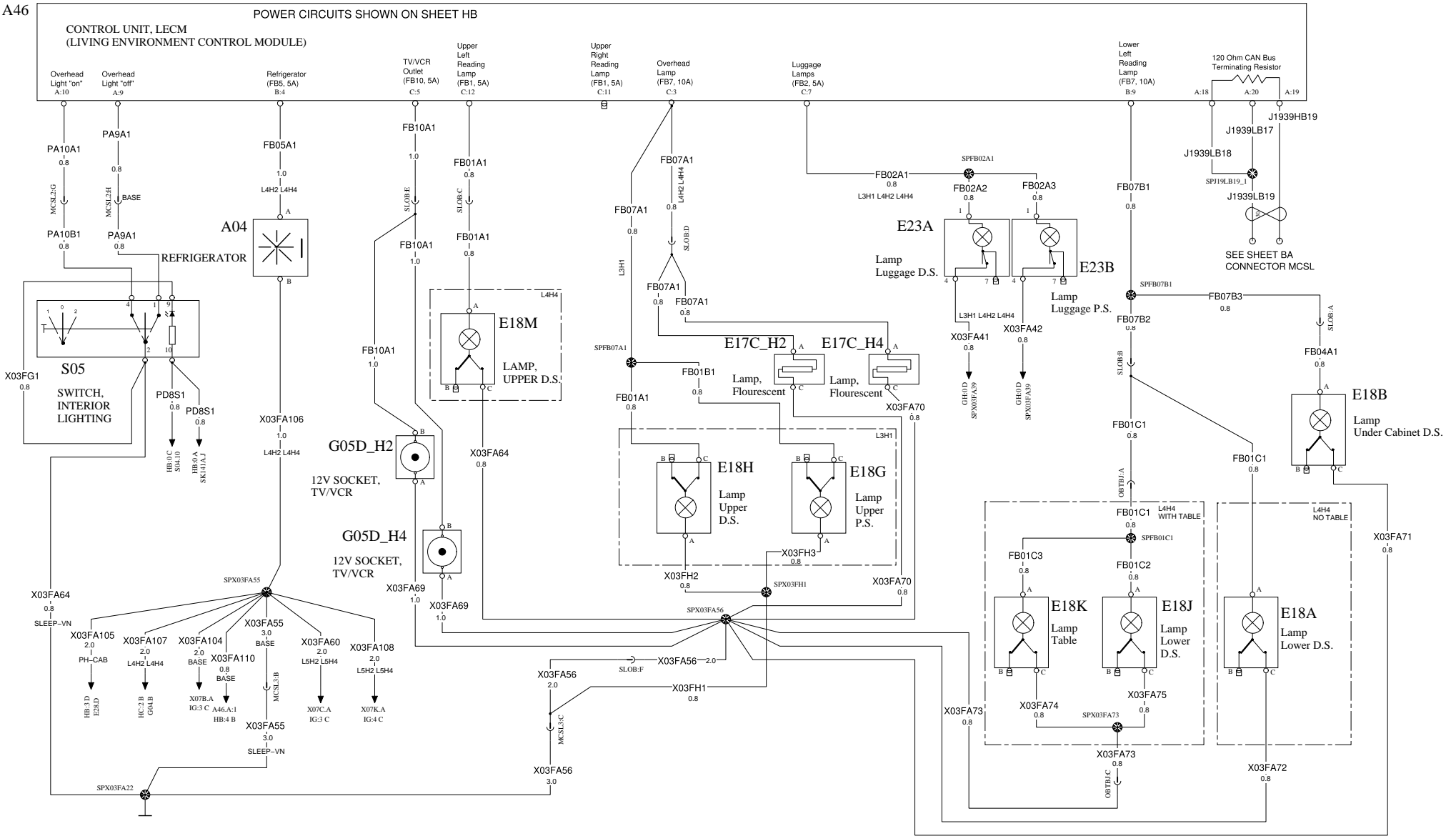
Page
57(80)

L3 - L4 SLEEPER FUNCTIONS / LIGHTING / REFRIGERATOR

WIRING DIAGRAM : HD

BATT _____ BATT
 IGN _____ IGN
 DR _____ DR
 ACC _____ ACC
 ILLUM _____ ILLUM

A46



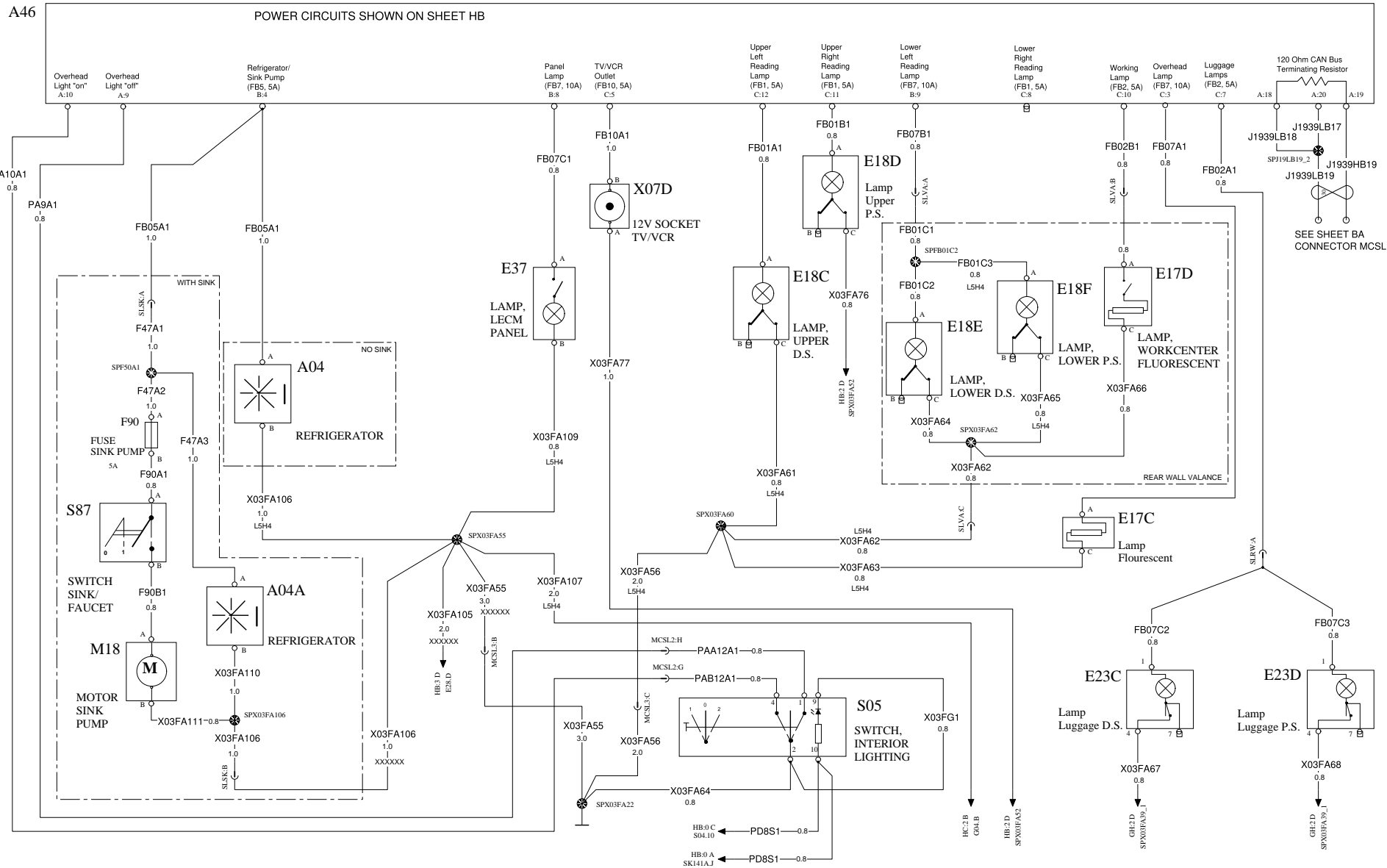
Document title
WIRING DIAGRAM

Document type
PRODUCT SCHEMATIC

Document No	Issue	Volume	Page
20758328	07	01	58(80)

BATT
IGN
DR
ACC
ILLUM

BATT
IGN
DR
ACC
ILLUM



Document title
WIRING DIAGRAM

Document type
PRODUCT SCHEMATIC

Document No

20758328

Issue

07

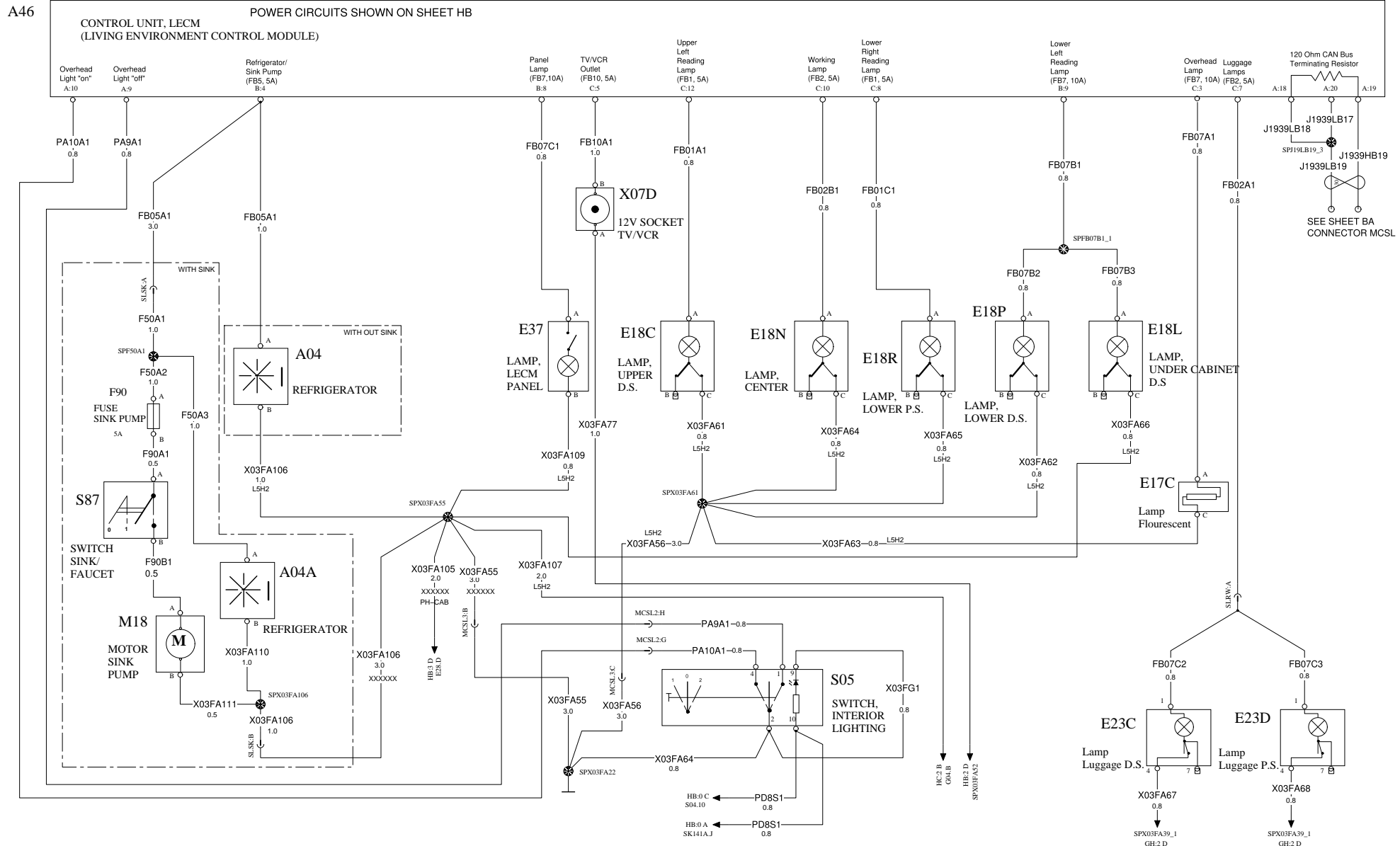
Volume

01

Page

59(80)

BATT
IGN
DR
ACC
ILLUM



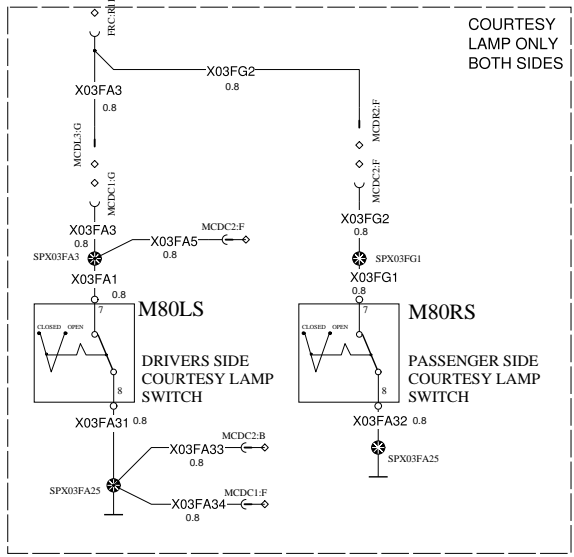
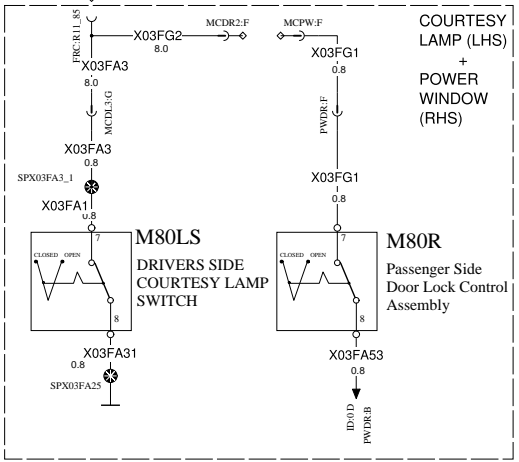
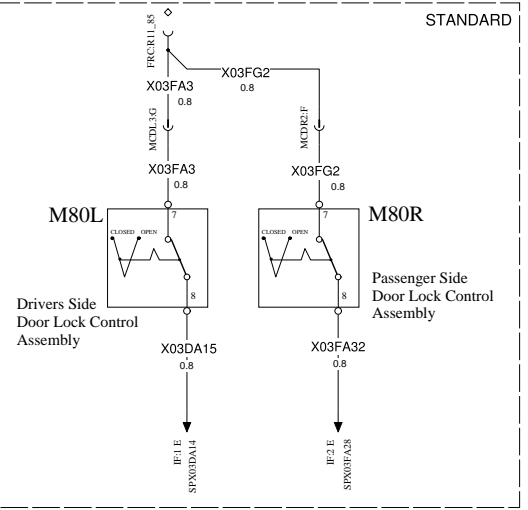
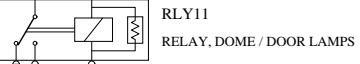
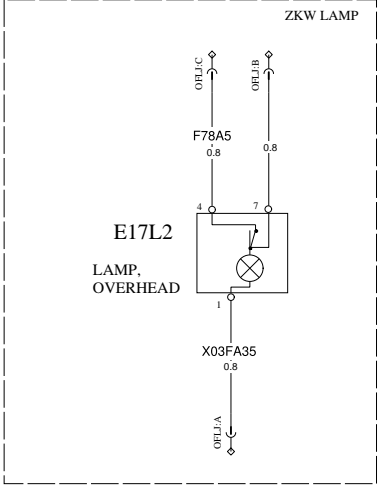
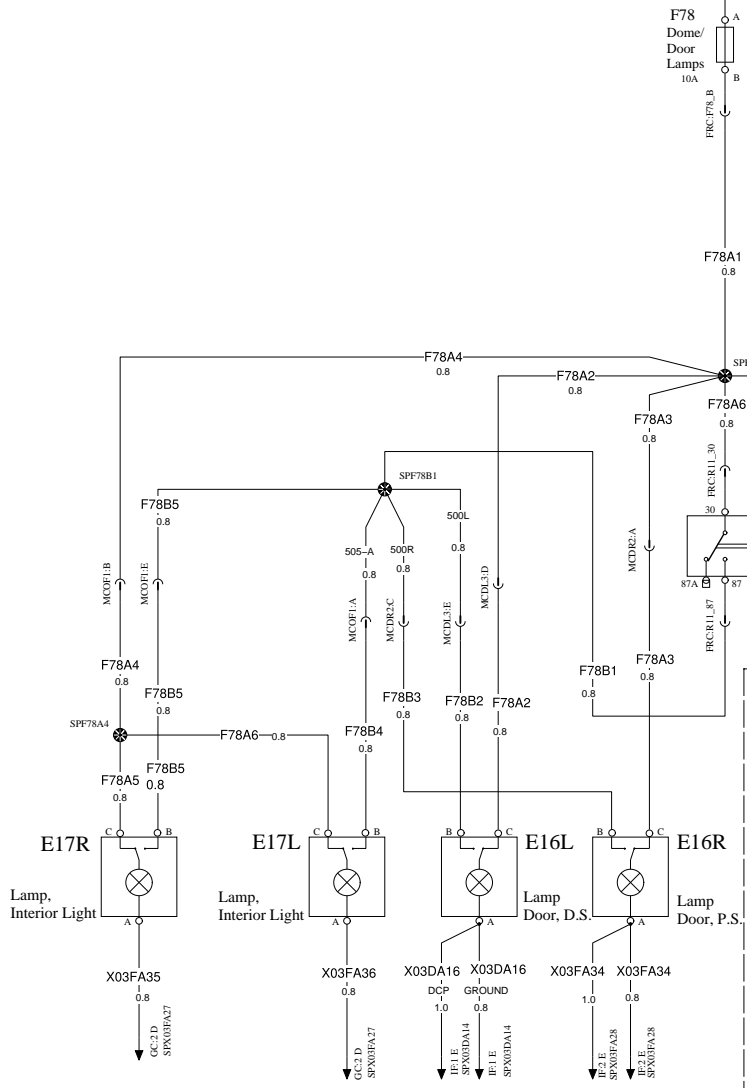
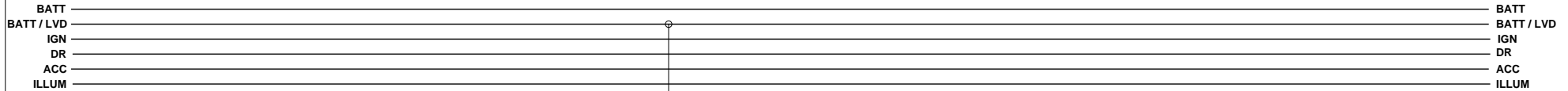
Document title
WIRING DIAGRAM

Document type
PRODUCT SCHEMATIC

Document No	Issue	Volume	Page
20758328	07	01	60(80)

INTERIOR COURTESY LIGHTS

WIRING DIAGRAM : IA



Document title
WIRING DIAGRAM

Document type
PRODUCT SCHEMATIC

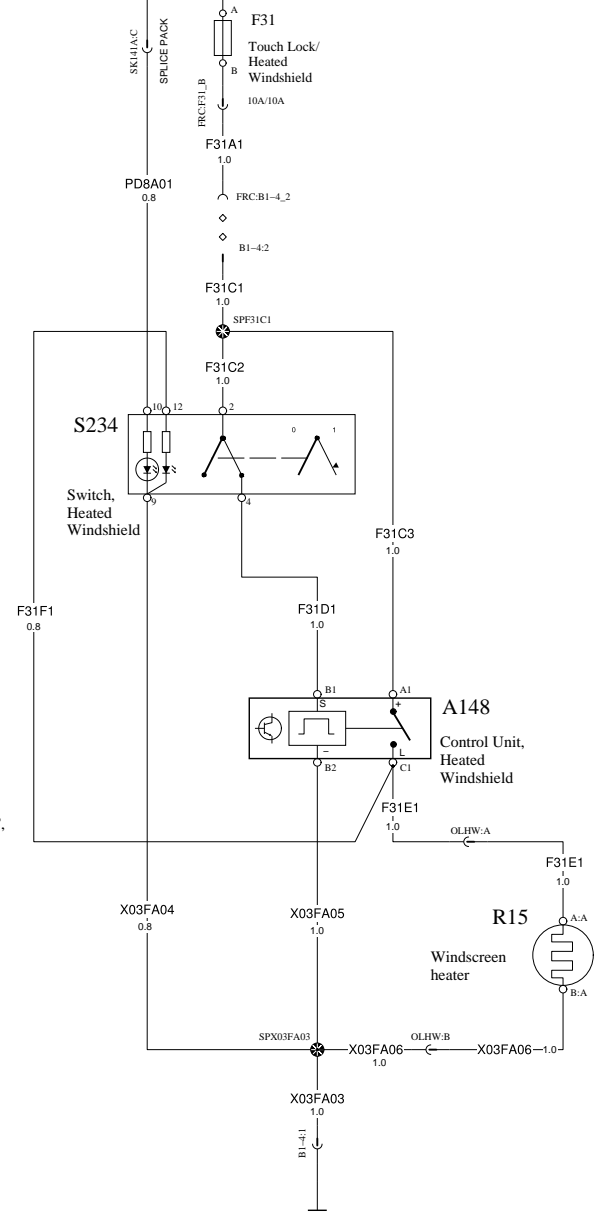
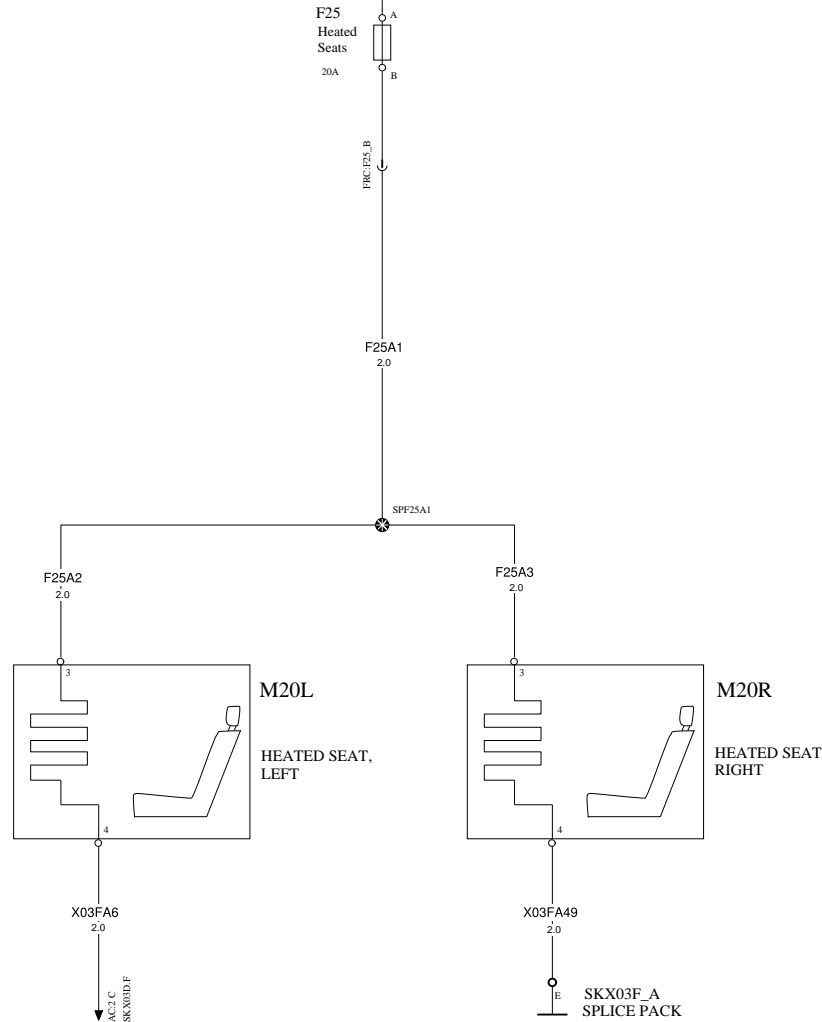
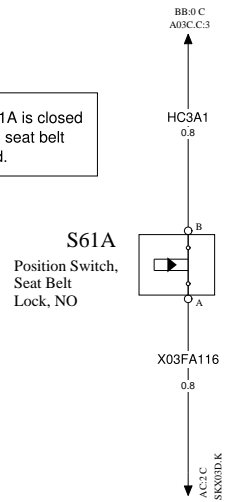
Document No	Issue	Volume	Page
20758328	07	01	61(80)

POWER SEATS / SEATBELT / HEATED WINDSHIELD

WIRING DIAGRAM : IB

BATT
IGN
DR
ACC
ILLUM

Note: S61A is closed when the seat belt is latched.



VOLVO
Volvo 3P

Document title
WIRING DIAGRAM
Document type
PRODUCT SCHEMATIC

Document No

20758328

Issue

07

Volume

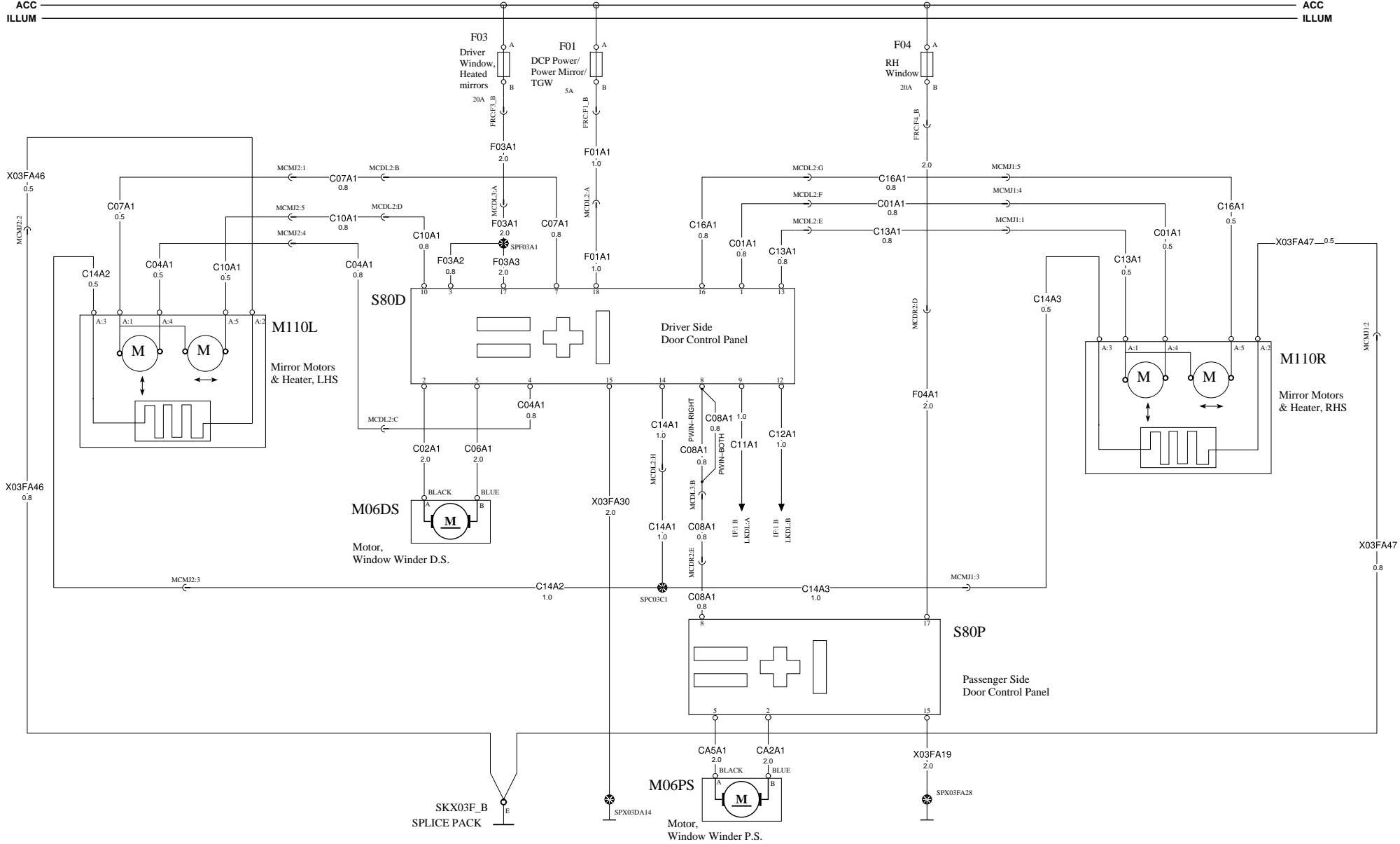
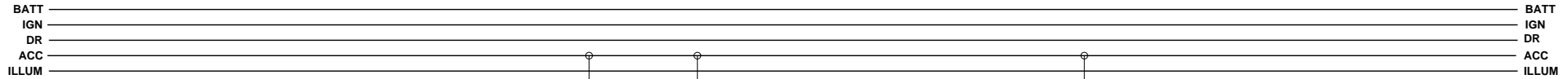
01

Page

62(80)

POWER WINDOWS / MIRRORS W. DCP

WIRING DIAGRAM : IC

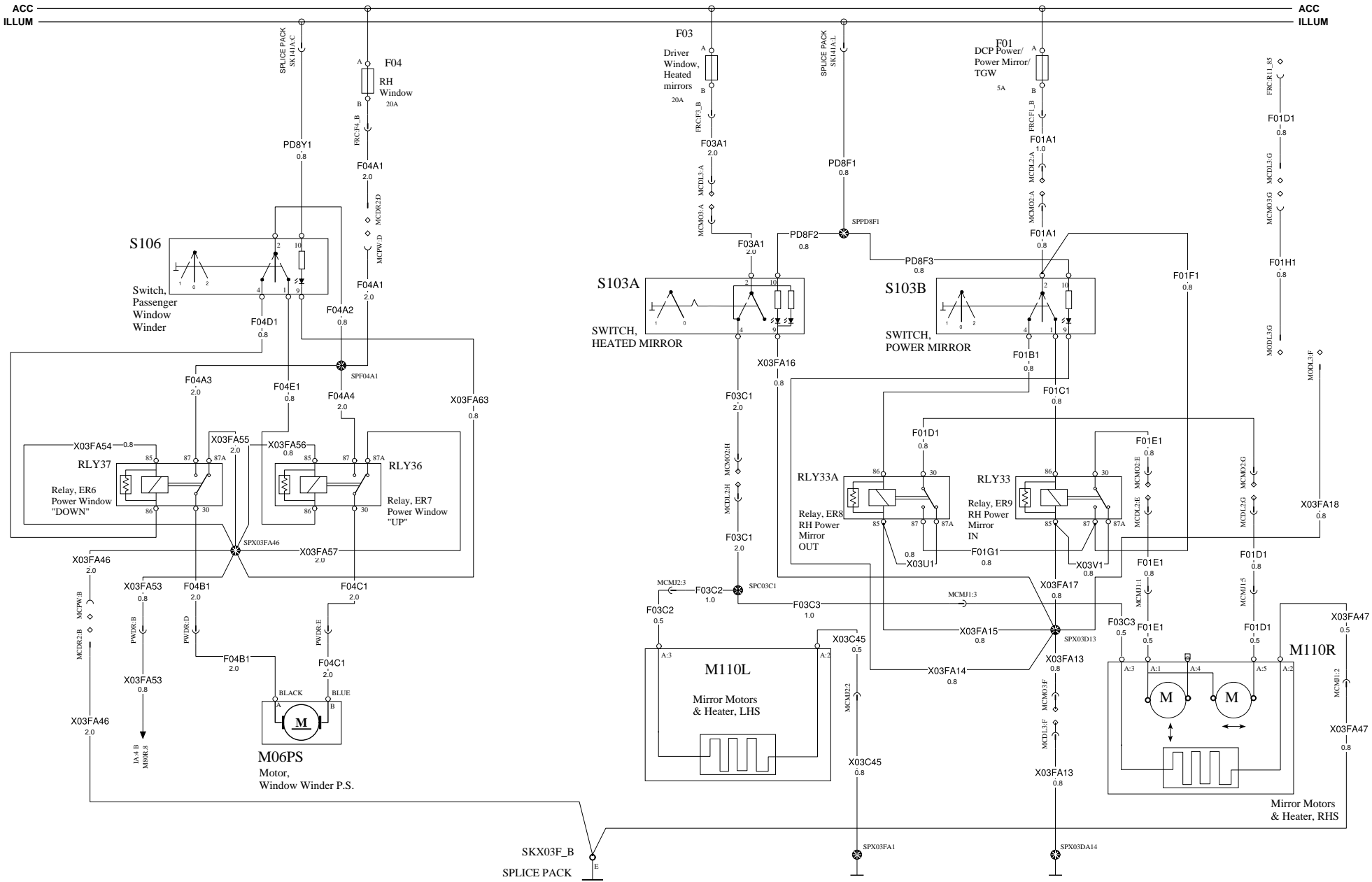


POWER WINDOWS/MIRRORS W/O DRIVER CONTROL PANEL

WIRING DIAGRAM : ID

BATT
IGN
DR
ACC
ILLUM

BATT
IGN
DR
ACC
ILLUM



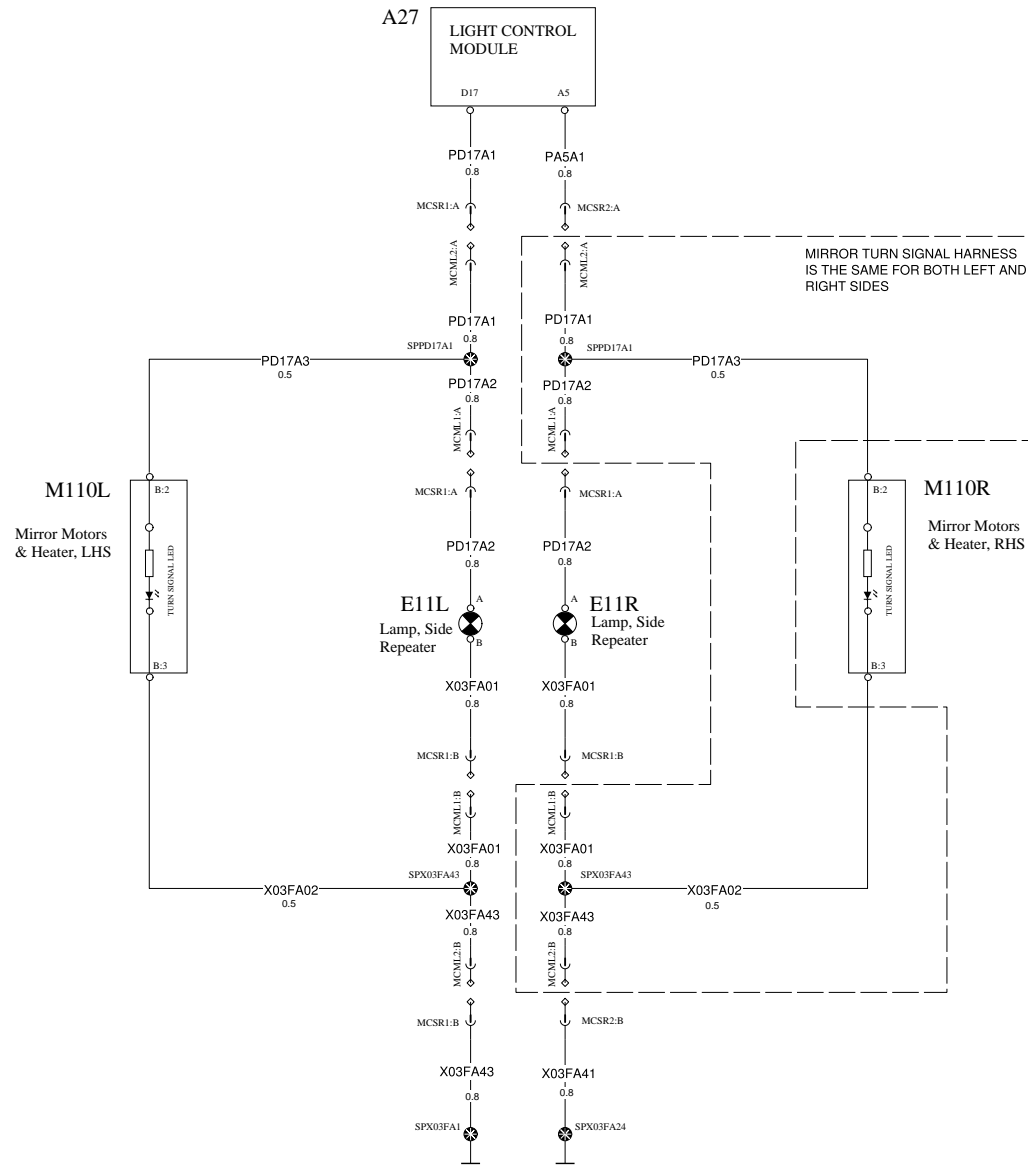
VOLVO
Volvo 3P

Document title
WIRING DIAGRAM

Document type
PRODUCT SCHEMATIC

Document No	Issue	Volume	Page
20758328	07	01	64(80)

BATT	_____	BATT
IGN	_____	IGN
DR	_____	DR
ACC	_____	ACC
ILLUM	_____	ILLUM

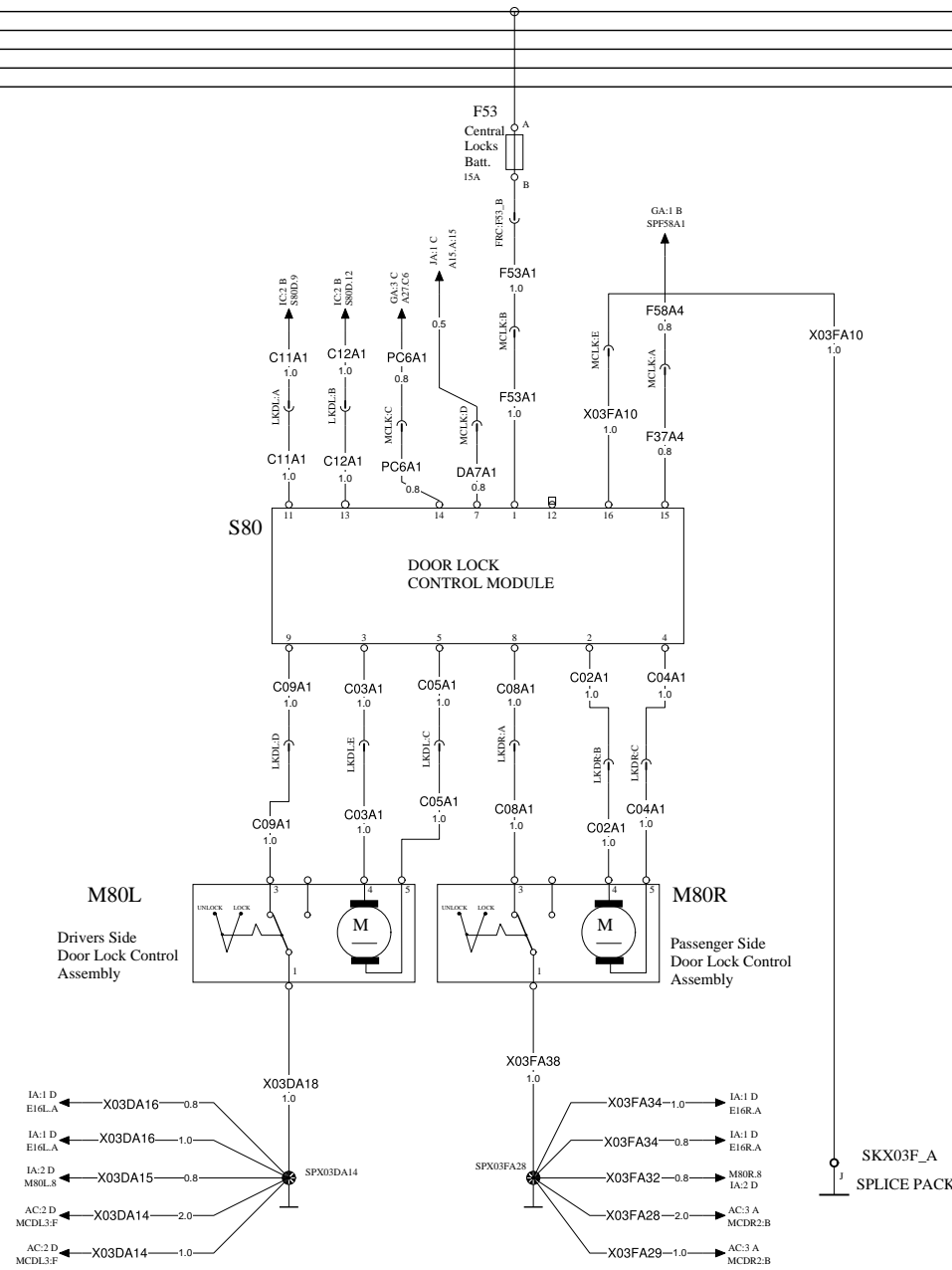


CENTRAL/REMOTE DOOR LOCKING

WIRING DIAGRAM : IF

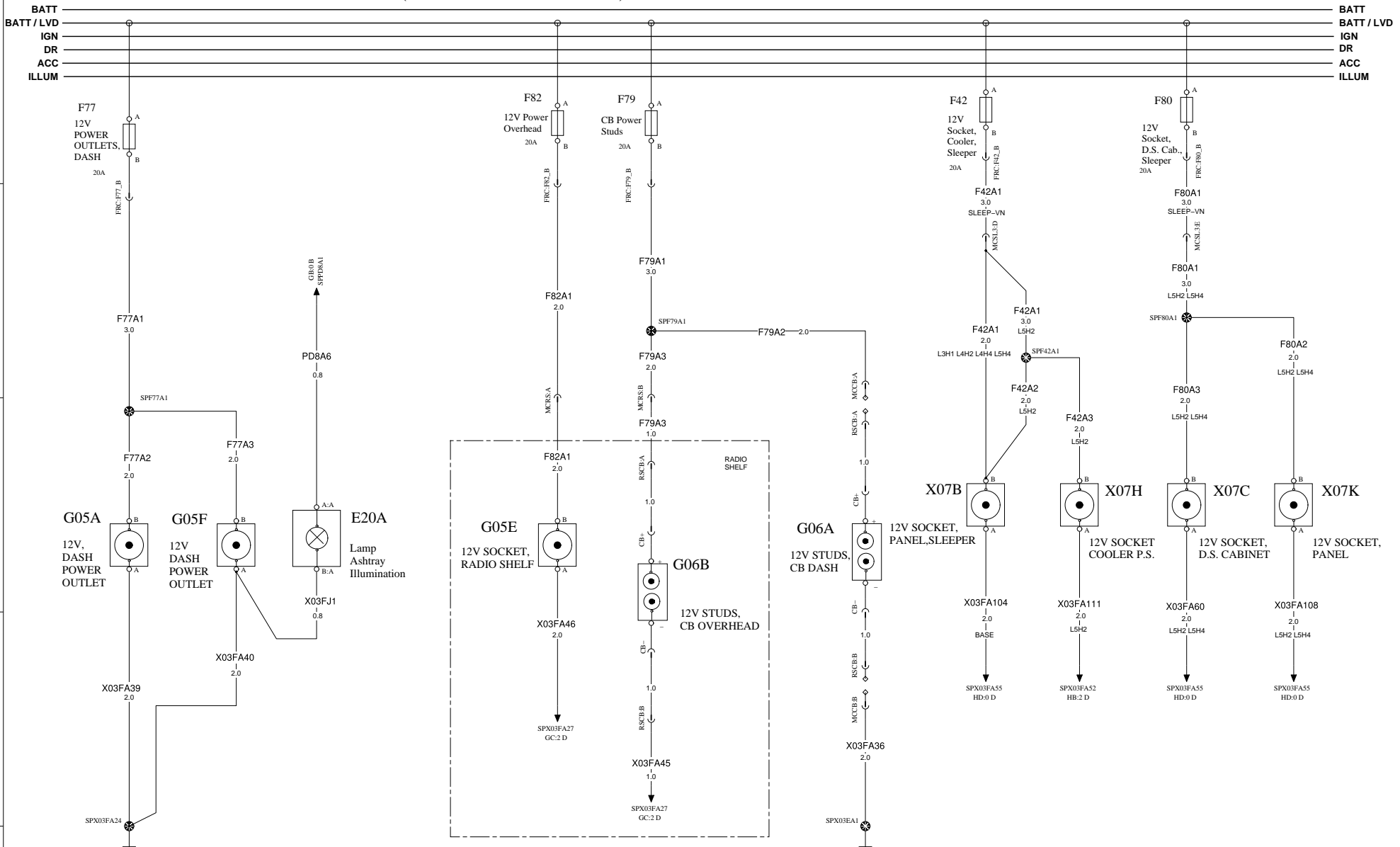
BATT
IGN
DR
ACC
141

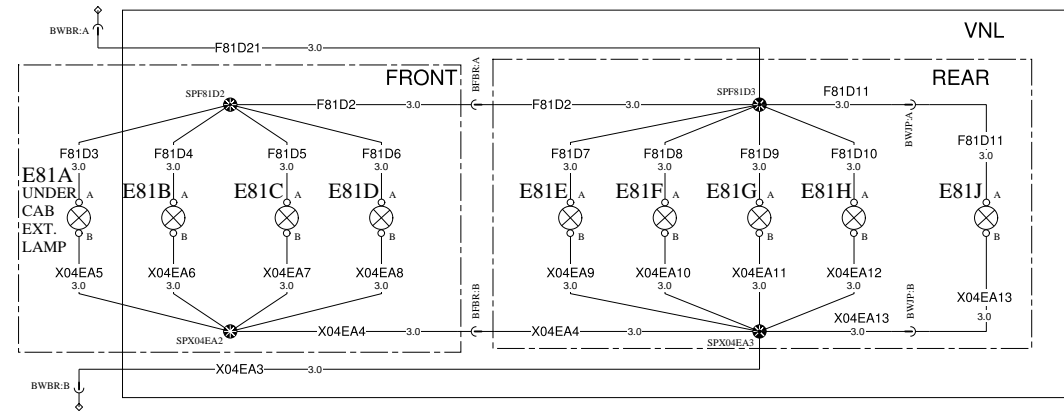
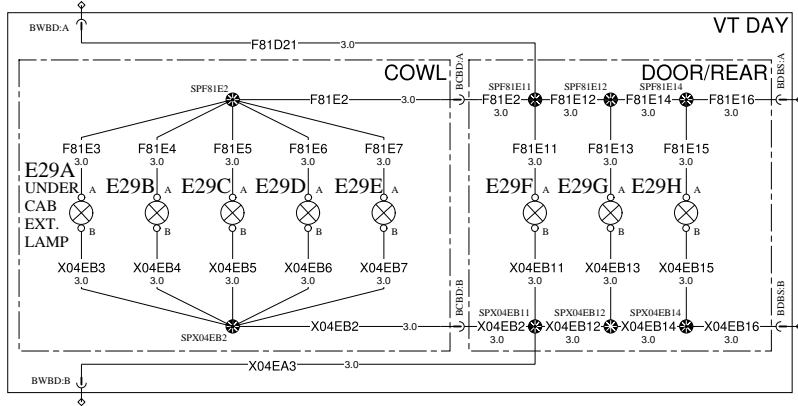
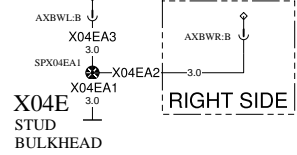
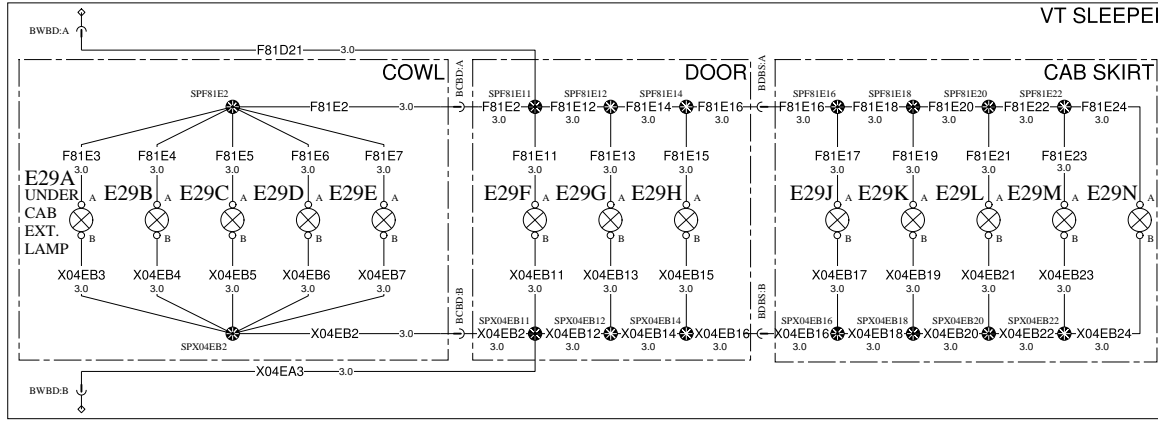
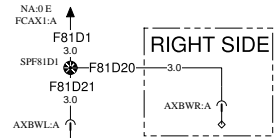
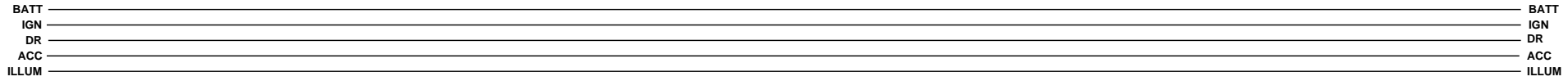
BATT
IGN
DR
ACC
141



CIGAR LIGHTER / AUX POWER (DASH RADIO SHELF) / SLEEPER POWER

WIRING DIAGRAM : IG



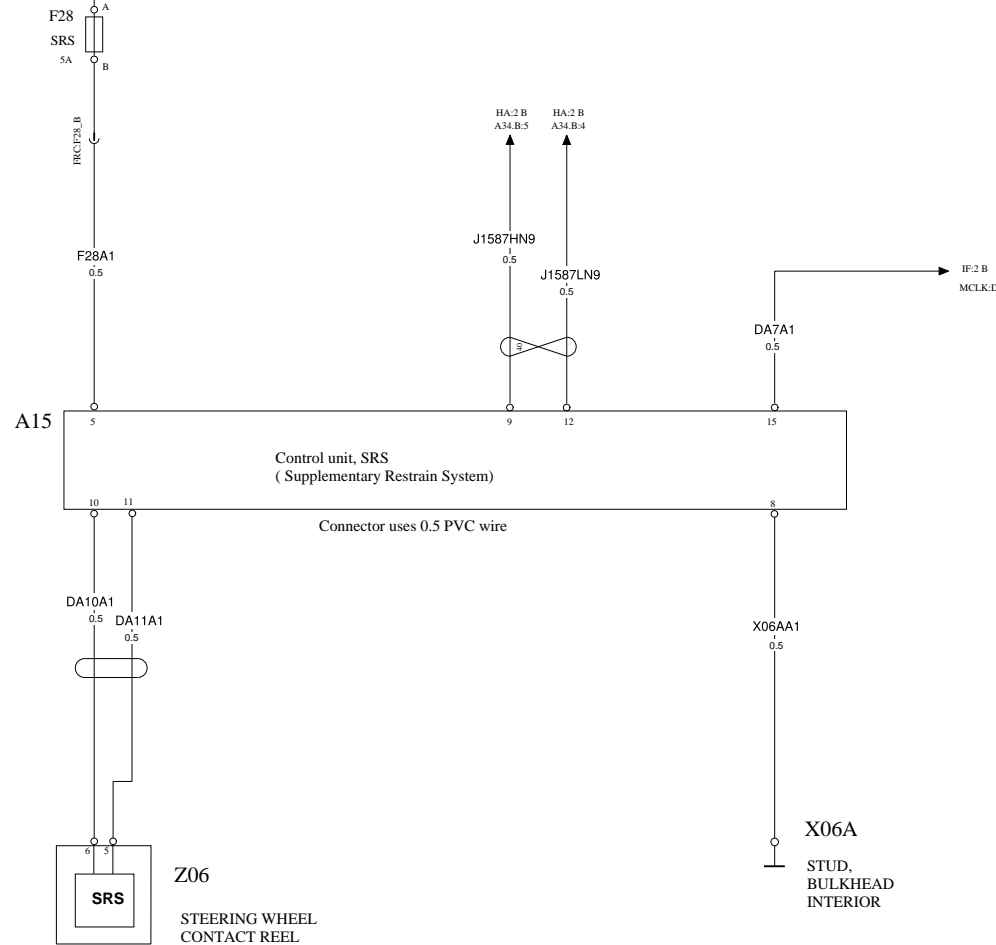


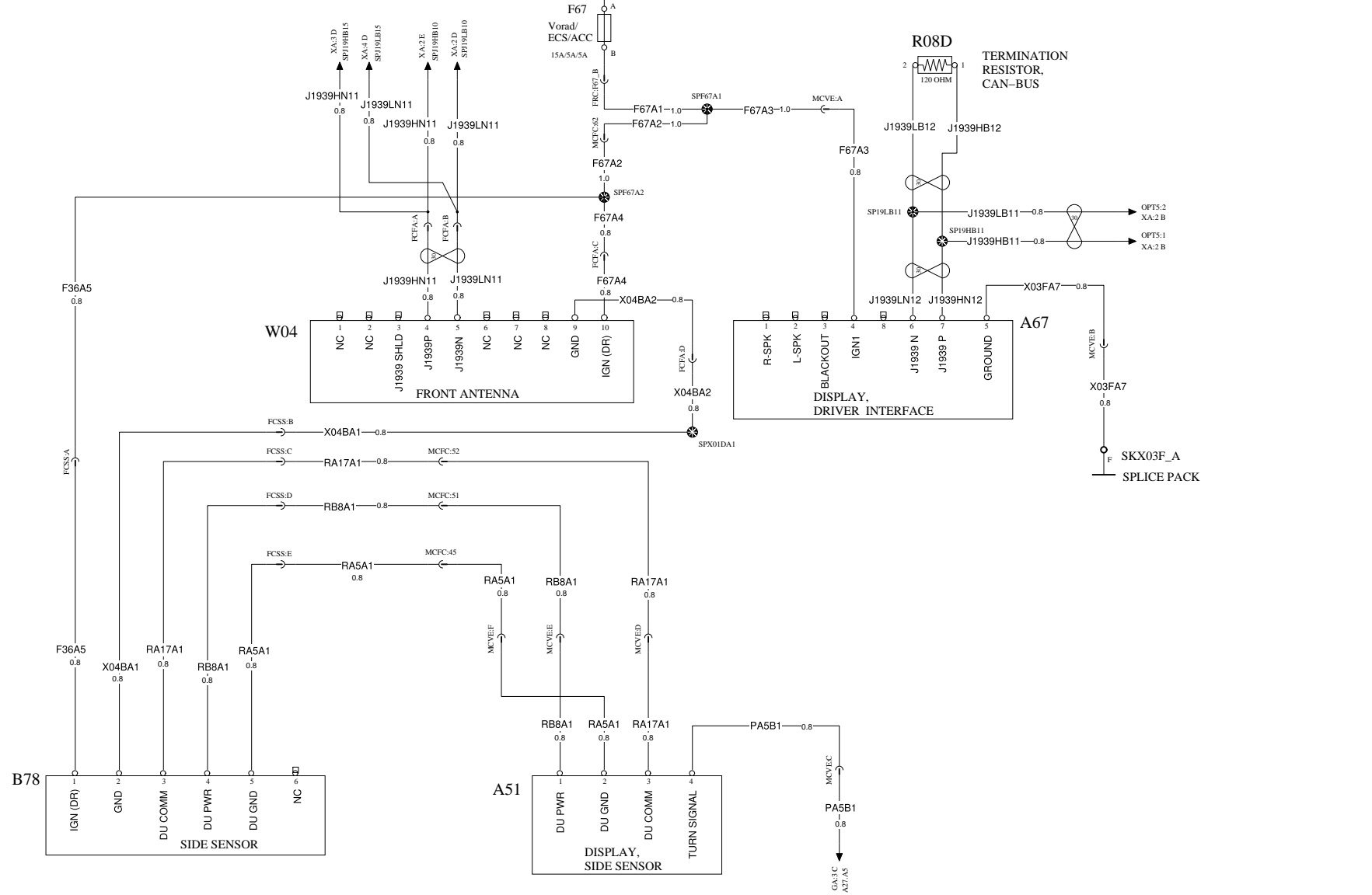
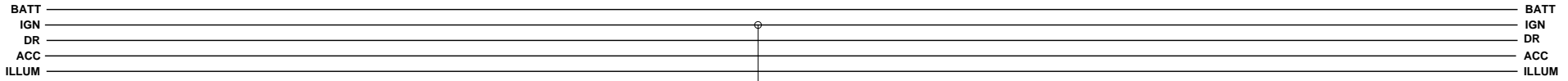
SRS AIRBAG CONTROL

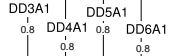
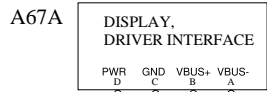
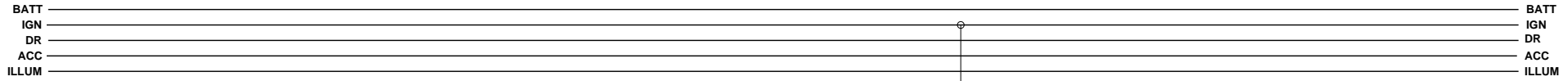
WIRING DIAGRAM : JA

BATT
IGN
DR
ACC
141

BATT
IGN
DR
ACC
141

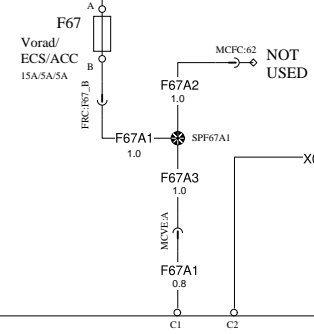
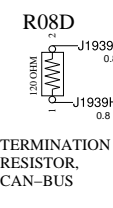
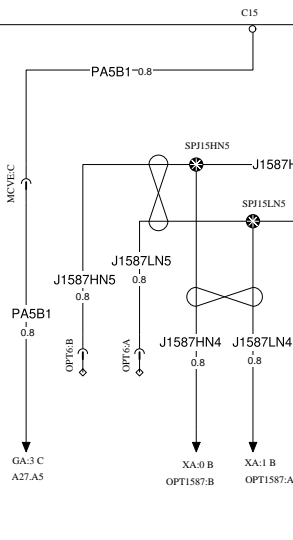
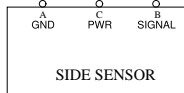
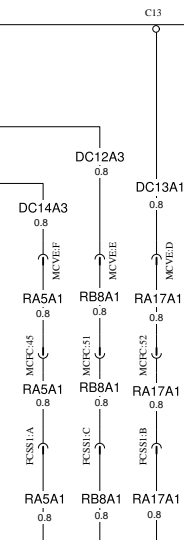
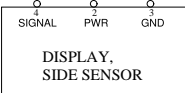
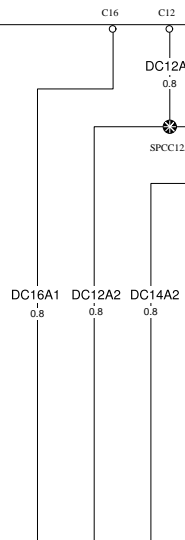
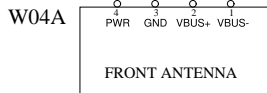
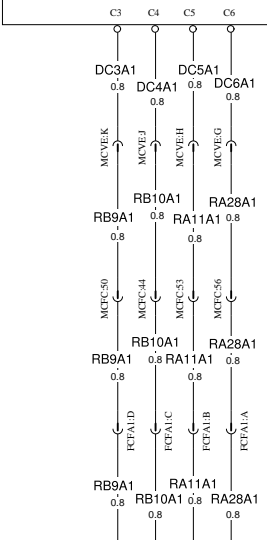






A50A

CPU VORAD



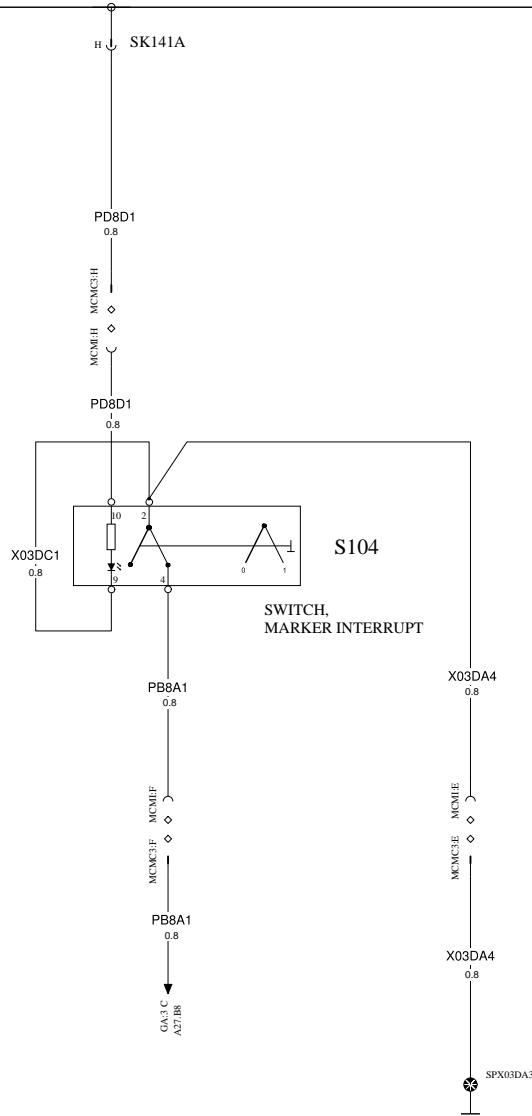
X03FA7
0.8

SKX03F_A
SPLICE PACK

STEERING WHEEL MODULE/MARKER INTERRUPT

WIRING DIAGRAM : JE

BATT	_____	BATT
IGN	_____	IGN
DR	_____	DR
ACC	_____	ACC
141	_____	141



VOLVO
Volvo 3P

Document title
WIRING DIAGRAM

Document type
PRODUCT SCHEMATIC

Document No

20758328

Issue

07

Volume

01

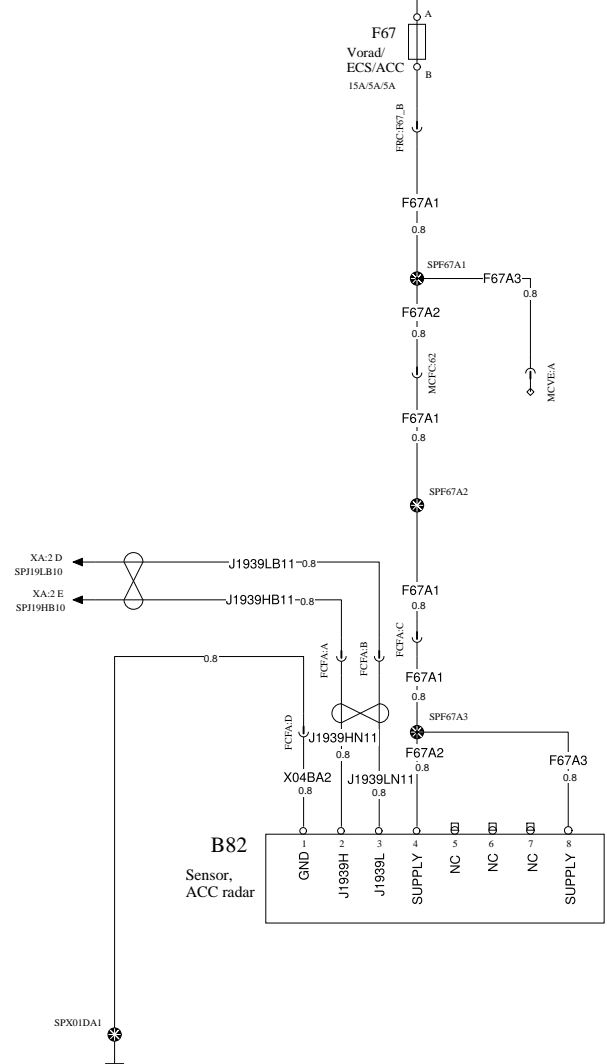
Page

72(80)

ADAPTIVE CRUISE CONTROL

WIRING DIAGRAM : JF

BATT
IGN
DR
ACC
ILLUM

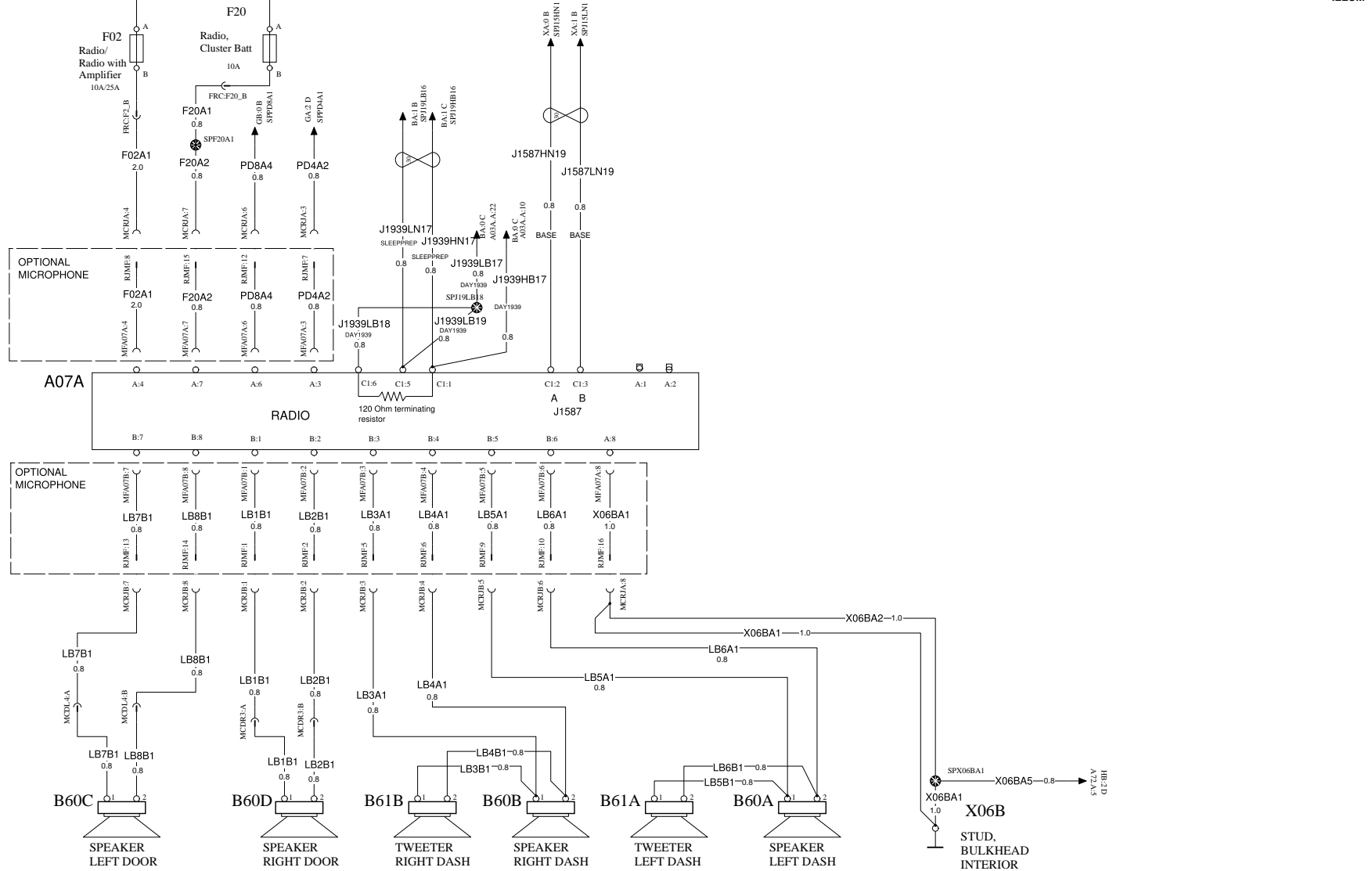
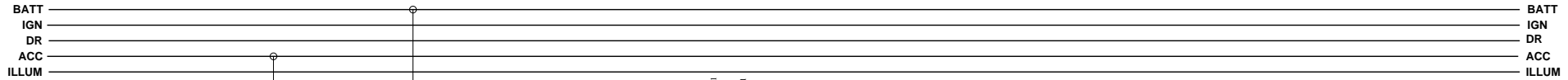


NOTE: See sheet JC for side sensor and side sensor display.

 Volvo 3P	Document title WIRING DIAGRAM	Document No 20758328	Issue 07	Volume 01	Page 73(80)
	Document type PRODUCT SCHEMATIC				

AUDIO SYSTEM – 4 SPEAKER

WIRING DIAGRAM : KA



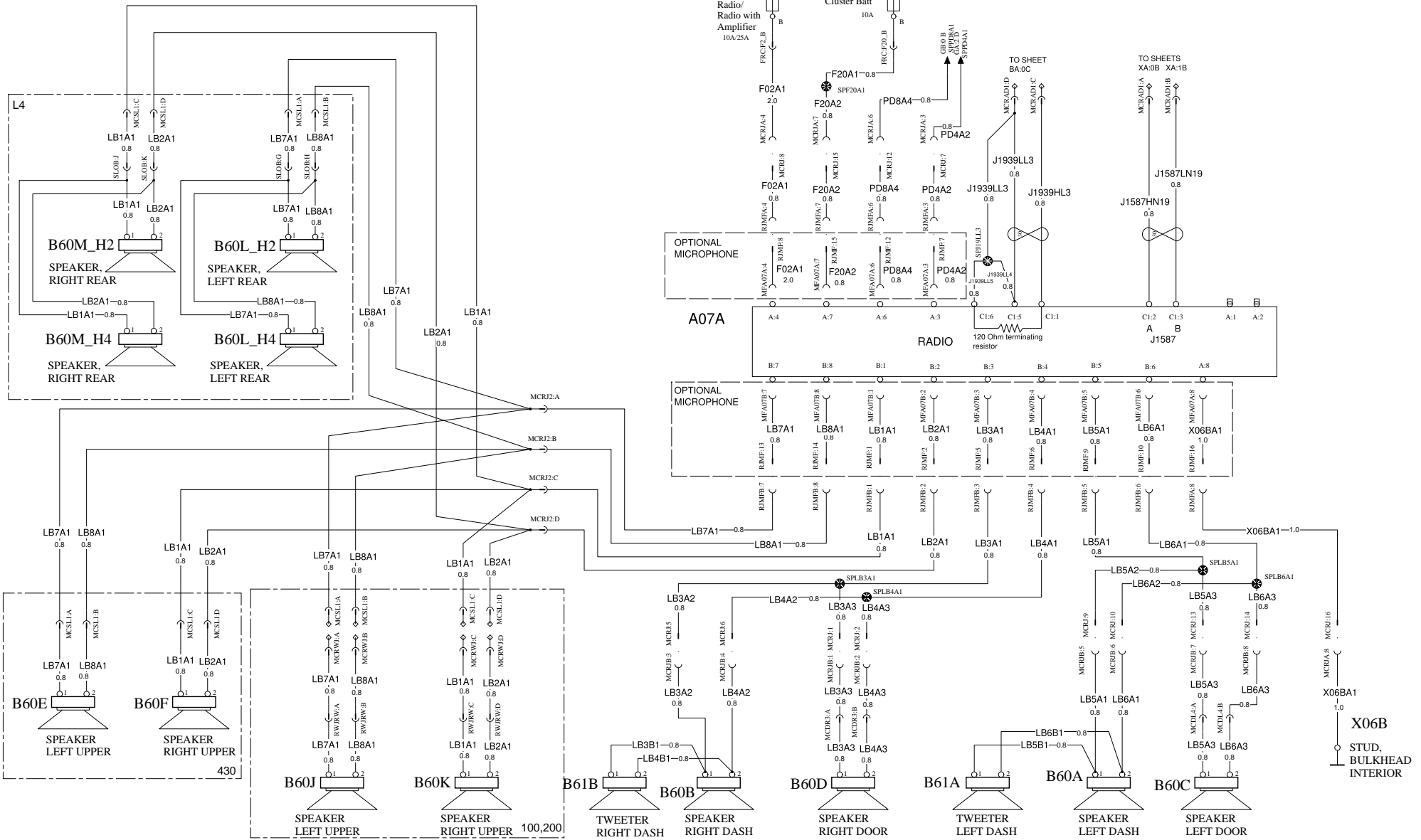
 Volvo 3P	Document title WIRING DIAGRAM	Document No 20758328	Issue 07	Volume 01	Page 74(80)
	Document type PRODUCT SCHEMATIC				

AUDIO SYSTEM - 6 SPEAKER

WIRING DIAGRAM : KB

BATT _____
IGN _____
DR _____
ACC _____
ILLUM _____

BATT _____
IGN _____
DR _____
ACC _____
ILLUM _____

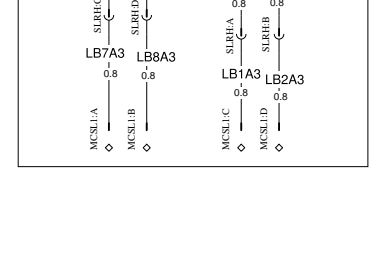
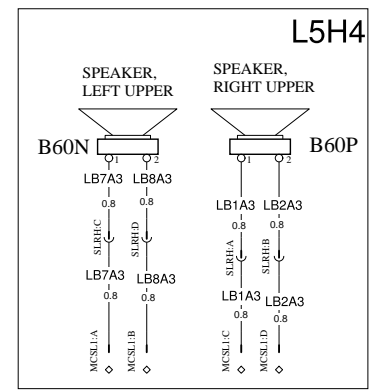
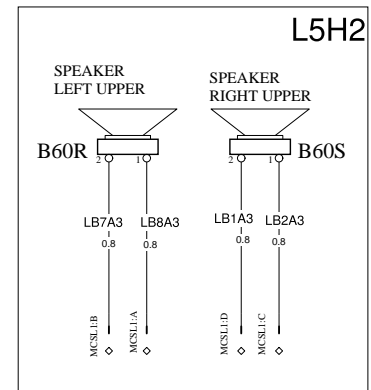
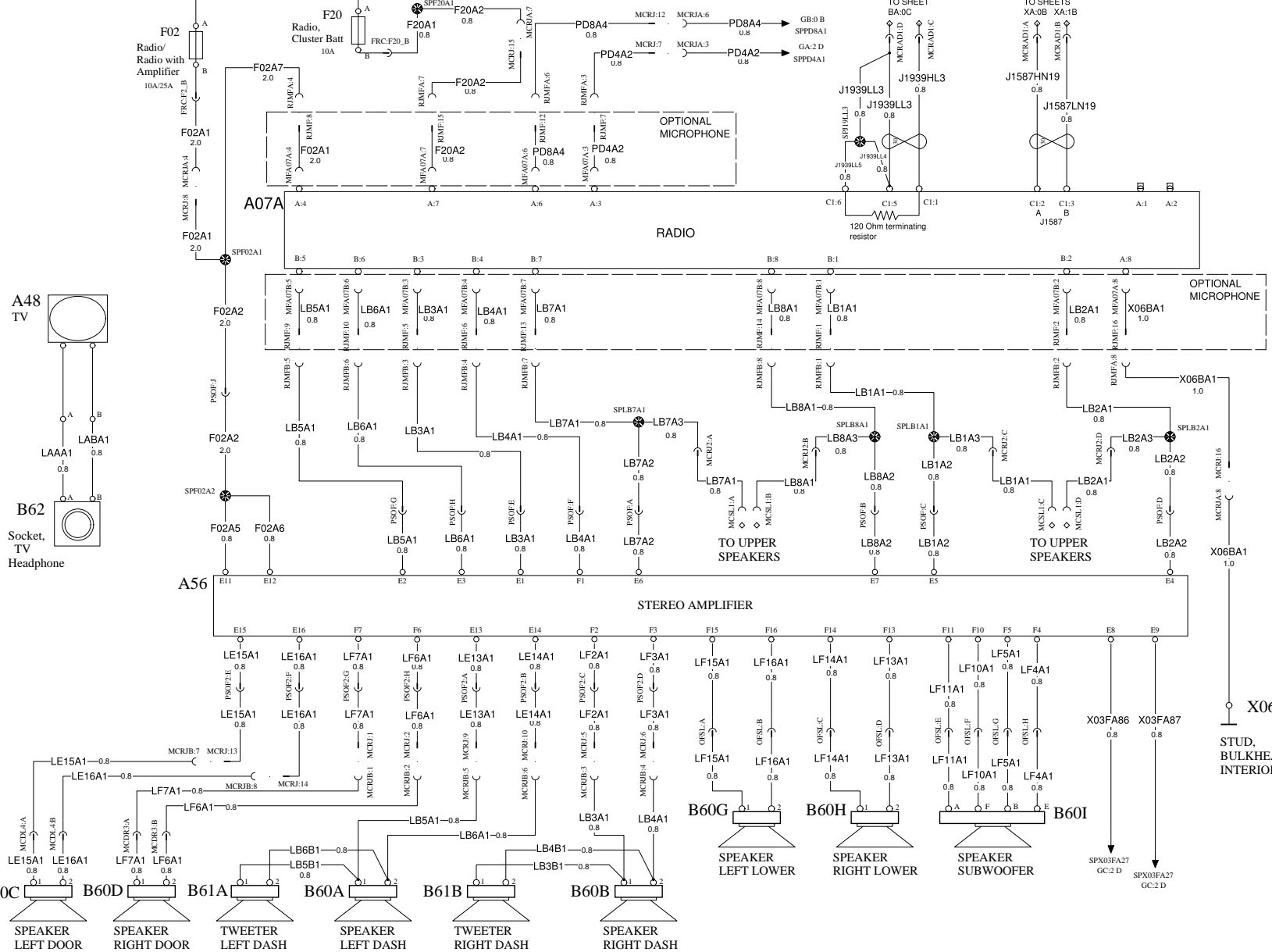


VOLVO Volvo 3P	Document title	Document No	Issue	Volume	Page
	WIRING DIAGRAM PRODUCT SCHEMATIC	20758328	07	01	75(80)

AUDIO SYSTEM – 6 SPEAKER W/SUB, TV PREP

WIRING DIAGRAM : KC

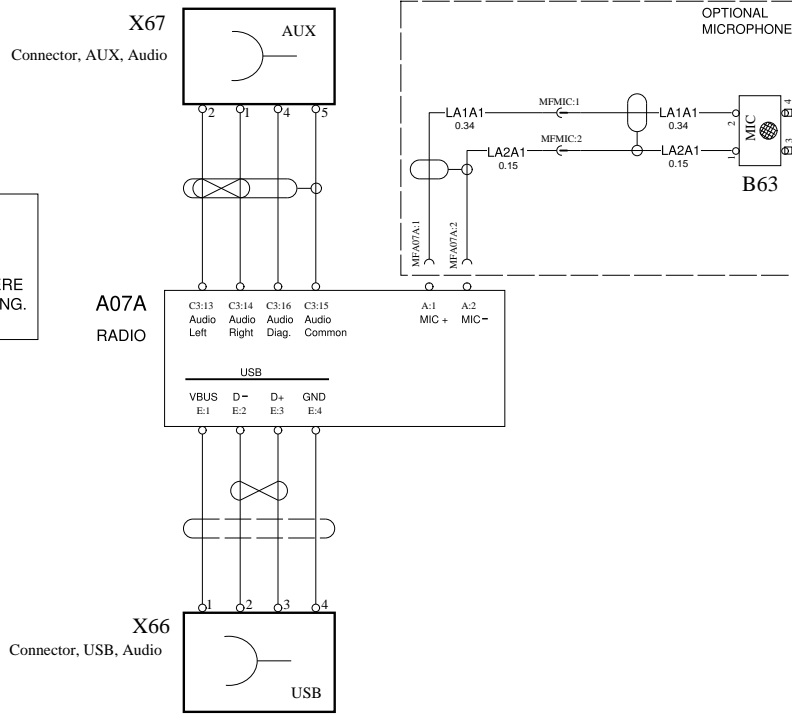
BATT
IGN
DR
ACC
141



<p>VOLVO Volvo 3P</p>	Document title WIRING DIAGRAM	Document No 20758328	Issue 07	Volume 01	Page 76(80)
	Document type PRODUCT SCHEMATIC				

BATT	_____	BATT
IGN	_____	IGN
DR	_____	DR
ACC	_____	ACC
ILLUM	_____	ILLUM

NOTE: THE CABLES FOR AUX AND USB CONNECTORS WILL BE SUPPLIED BY OTHER CONNECTORS ARE SHOWN HERE AS AN AID IN TROUBLESHOOTING.

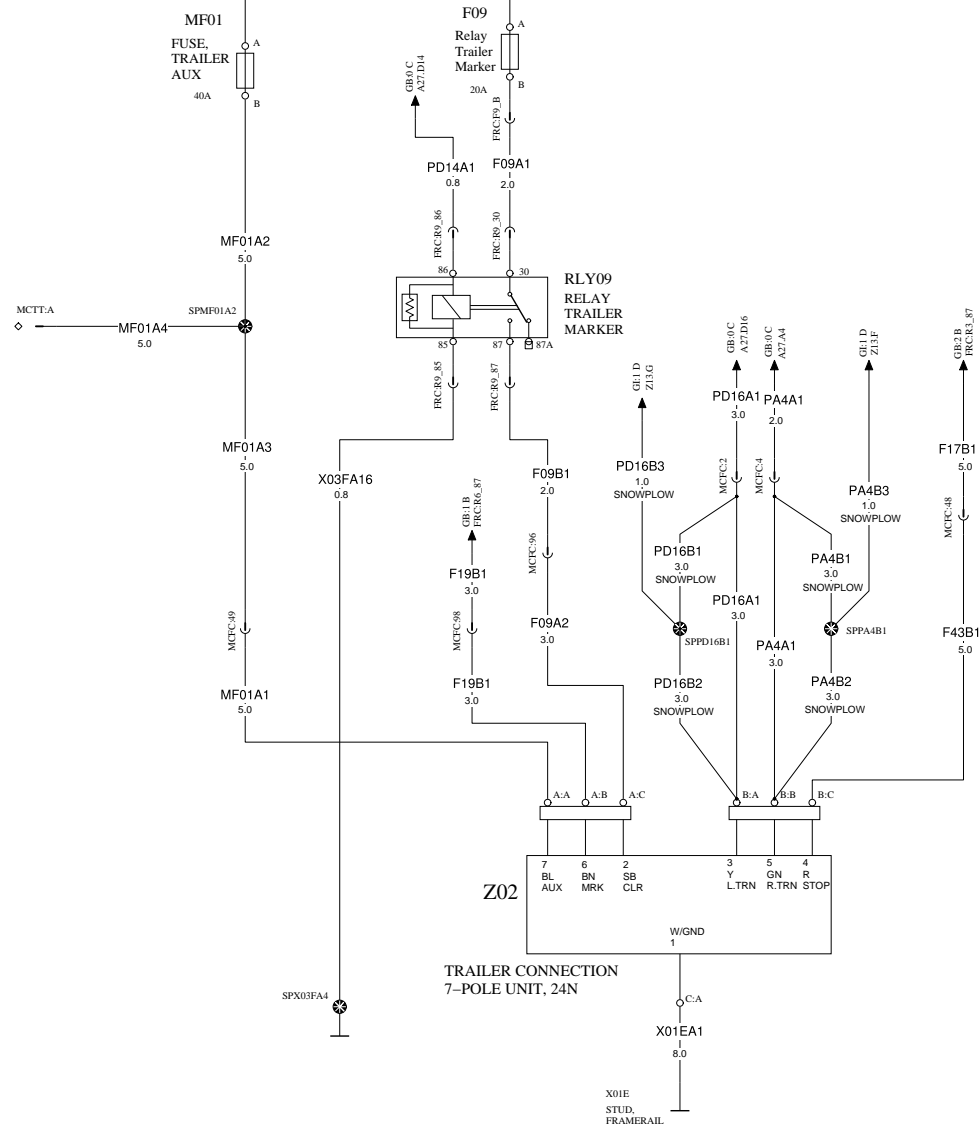


TRAILER CABLE

WIRING DIAGRAM : MA

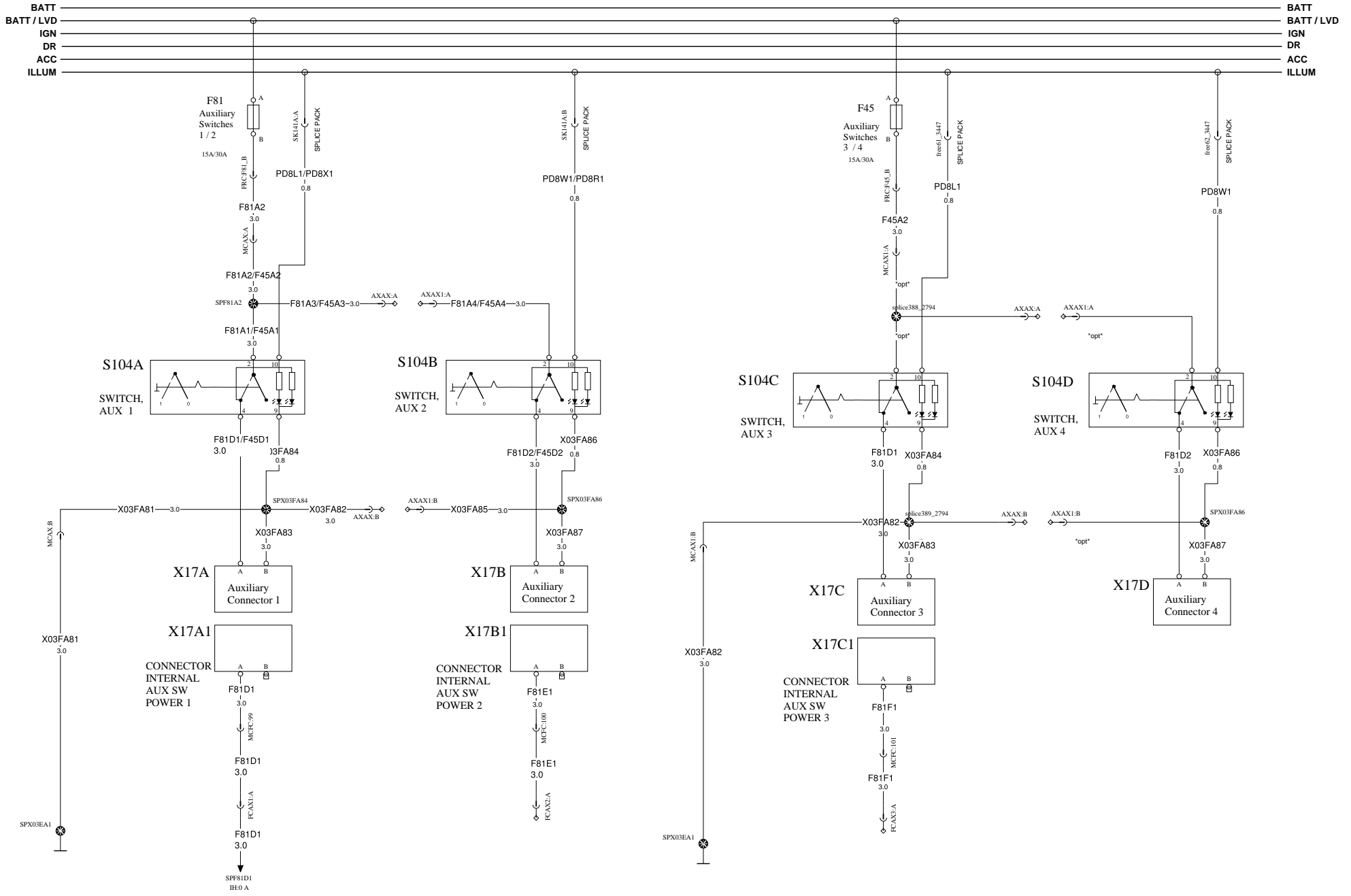
BATT
IGN
DR
ACC
ILLUM

BATT
IGN
DR
ACC
ILLUM



AUXILIARY SWITCHES

WIRING DIAGRAM : NA



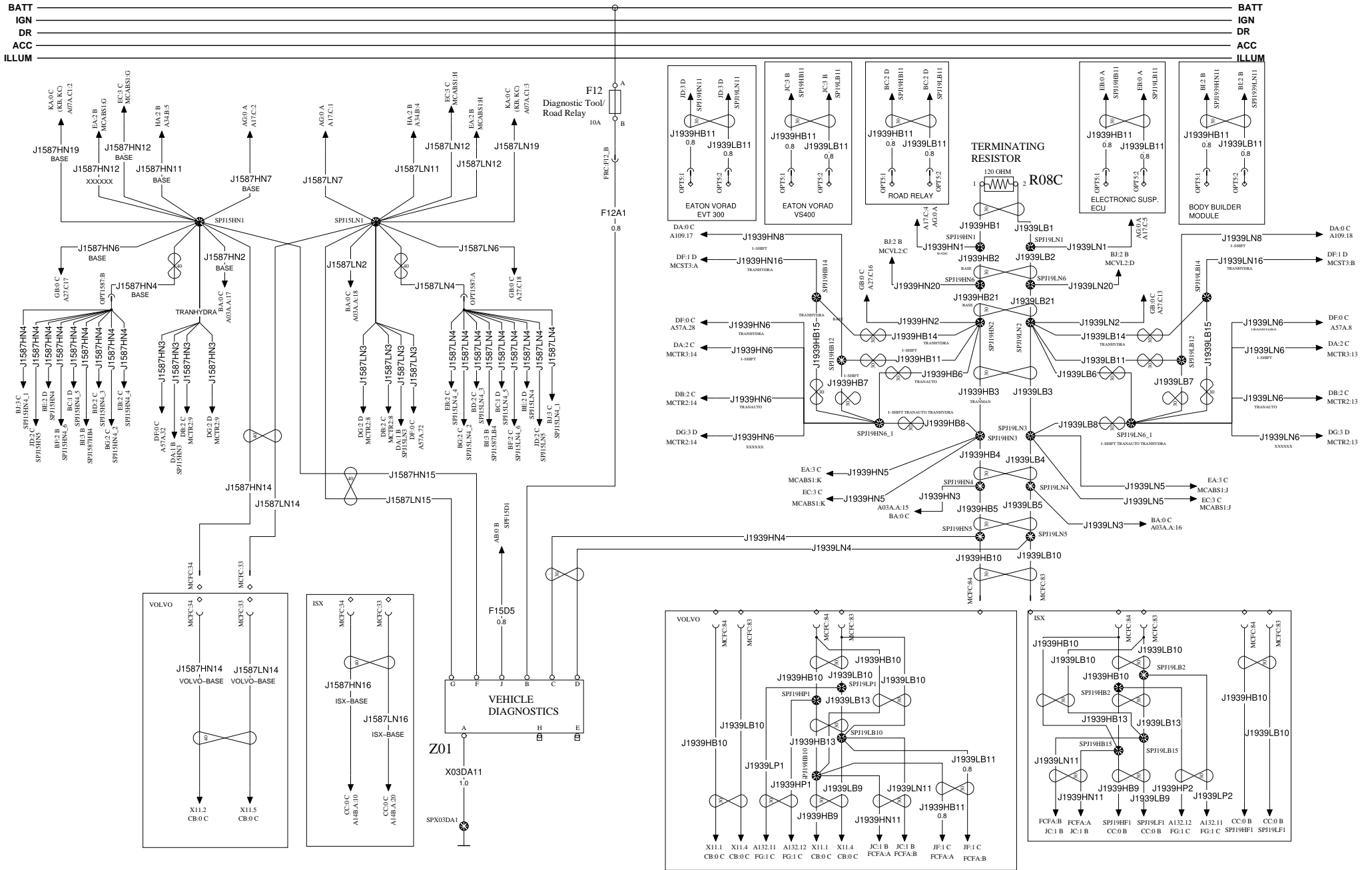
Document title
WIRING DIAGRAM

Document type
PRODUCT SCHEMATIC

Document No	Issue	Volume	Page
20758328	07	01	79(80)

DIAGNOSTICS

WIRING DIAGRAM : XA



VOLVO
Volvo 3P

Document title
WIRING DIAGRAM

Document type
PRODUCT SCHEMATIC

Document No
20758328

Issue
07

Volume
01

Page
80(80)